

Type: Semi-hermetic piston compressors

Producer: Frascold

Series: A

Model: A 1.5 7 Y

Technical data

Nominal motor power [kW/HP]:	1,1 / 1,5
Cylinder count:	2
Displacement [m ³ /h]:	6,91
RPM [min ⁻¹]:	1450
Weight net [kg]:	36
Weight gross [kg]:	37
Oil charge [dm ³]:	1,2

Electrical data

Power supply [V/~/Hz]:	230V/3/50 Δ	400V/3/50 Y
Locked rotor current [A]:	35,8	20,6
Max. operating current [A]:	7,9	4,5

Connections

	<u>milimeters</u>	<u>inches</u>
Suction line:	15,8	5/8
Discharge line:	12,7	1/2

R22

Cooling capacity [W]

$t_c \setminus t_e$	12.5	7.5	5	0	-5	-10	-15	-20	-25	-30	-35
30	9 060	7 580	6 920	5 740	4 730	3 860	3 100	2 450	1 910	1 460	1 090
40	8 110	6 780	6 190	5 120	4 210	3 420	2 730	2 150	1 670	1 260	920
45	7 630	6 380	5 820	4 820	3 950	3 210	2 560	2 010	1 540	1 160	840
50	7 160	5 980	5 450	4 510	3 690	2 990	2 380	1 860	1 420	1 060	760

Power input [W]

$t_c \setminus t_e$	5	-10	-20	-30
40	1 430	1 270	1 120	810

With head cooling

Operating conditions: suction gas temperature 20°C, 0K subcooling

 t_c - Condensing temperature [°C] t_e - Evaporating temperature [°C]


R134a

Cooling capacity [W]

$t_c \setminus t_e$	12.5	7.5	5	0	-5	-10	-15	-20
50	4 880	4 030	3 650	2 970	2 380	1 880	1 440	1 070
60	4 190	3 450	3 120	2 520	2 000	1 550	1 170	840
70	3 490	2 860	2 580	2 060	1 610	1 220	890	610
80	2 780	2 260	2 030	1 600	1 230	900	630	390

Power input [W]

$t_c \setminus t_e$	12.5	5	0	-10
60	1 400	1 200	1 080	840

 With head cooling

Operating conditions: suction gas temperature 20°C, 0K subcooling

 t_c - Condensing temperature [°C] t_e - Evaporating temperature [°C]

R404A/R507

Cooling capacity [W]

$t_c \setminus t_e$	7.5	5	0	-5	-10	-15	-20	-25	-30	-35	-40
30	8 370	7 670	6 420	5 330	4 400	3 590	2 880	2 280	1 760	1 320	940
40	7 170	6 580	5 500	4 560	3 740	3 030	2 410	1 880	1 420	1 030	700
45	6 560	6 020	5 030	4 160	3 410	2 750	2 180	1 680	1 250	890	580
50	5 940	5 450	4 560	3 770	3 080	2 470	1 940	1 480	1 090	750	460

Power input [W]

$t_c \setminus t_e$	5	-10	-20	-30	-40
40	1 830	1 490	1 210	940	670

With head cooling

Operating conditions: suction gas temperature 20°C, 0K subcooling

 t_c - Condensing temperature [°C] t_e - Evaporating temperature [°C]

R407C

Cooling capacity [W]

$t_c \setminus t_e$	12.5	7.5	5	0	-5	-10	-15	-20	-25
30	9 180	7 660	6 970	5 730	4 670	3 760	2 980	2 330	1 780
40	8 090	6 710	6 100	5 010	4 070	3 260	2 570	1 990	1 490
45	7 540	6 250	5 680	4 650	3 770	3 010	2 360	1 800	1 330
50	6 970	5 780	5 250	4 290	3 460	2 750	2 130	1 610	1 170

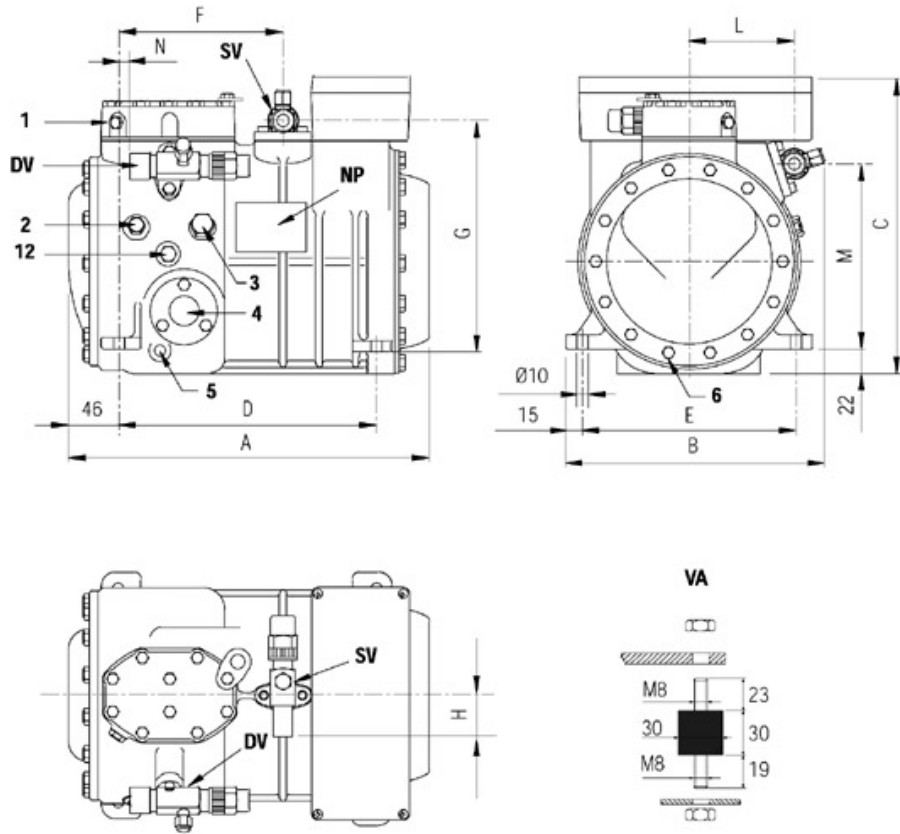
Power input [W]

$t_c \setminus t_e$	7.5	0	-10	-20
40	1 710	1 560	1 310	1 080

With head cooling

Operating conditions: suction gas temperature 20°C, 0K subcooling

 t_c - Condensing temperature [°C] t_e - Evaporating temperature [°C]



A	313 mm
B	237 mm
C	275 mm
D	234 mm
E	194 mm
F	150 mm
G	209 mm
H	29 mm
L	95 mm
M	168 mm
N	18 mm

1: high pressure plug
 3: oil charge plug
 5: crankcase heater seat
 12: oil return plug
 NP: name plate

2: low pressure plug
 4: oil level sight glass
 6: oil drain plug
 DV: discharge valve
 SV: suction valve

