

Type: Semi-hermetic piston compressors

Producer: Frascold

Series: B

Model: B 1.5 10.1 Y

Technical data

Nominal motor power [kW/HP]:	1,1 / 1,5
Cylinder count:	2
Displacement [m ³ /h]:	9,88
RPM [min ⁻¹]:	1450
Weight net [kg]:	38
Weight gross [kg]:	39
Oil charge [dm ³]:	1,2

Electrical data

Power supply [V/~/Hz]:	230V/3/50 Δ	400V/3/50 Y
Locked rotor current [A]:	46,6	26,8
Max. operating current [A]:	9,5	5,5

Connections

	<u>milimeters</u>	<u>inches</u>
Suction line:	15,8	5/8
Discharge line:	12,7	1/2

R22

Cooling capacity [W]

$t_c \setminus t_e$	-5	-10	-15	-20	-25	-30	-35	-40	-45
30	7 060	5 780	4 680	3 750	2 950	2 290	1 730	1 270	900
40	6 260	5 110	4 120	3 280	2 560	1 960	1 460	1 050	720
45	5 870	4 780	3 850	3 050	2 370	1 800	1 330	940	630
50	5 470	4 450	3 570	2 820	2 180	1 640	1 200	830	-

Power input [W]

$t_c \setminus t_e$	-10	-20	-30	-40
40	2 090	1 760	1 380	890

With head cooling

Operating conditions: suction gas temperature 20°C, 0K subcooling

 t_c - Condensing temperature [°C] t_e - Evaporating temperature [°C]

R134a

Cooling capacity [W]

$t_c \setminus t_e$	12.5	7.5	5	0	-5	-10	-15	-20
30	9 110	7 560	6 870	5 640	4 580	3 680	2 910	2 250
40	8 090	6 700	6 090	4 980	4 030	3 210	2 510	1 910
45	7 580	6 280	5 700	4 650	3 750	2 970	2 300	1 730
50	7 070	5 860	5 310	4 320	3 470	2 730	2 100	1 560

Power input [W]

$t_c \setminus t_e$	12.5	5	0	-10
40	1 870	1 640	1 480	1 160

With head cooling

Operating conditions: suction gas temperature 20°C, 0K subcooling

 t_c - Condensing temperature [°C] t_e - Evaporating temperature [°C]

R404A/R507

Cooling capacity [W]

$t_c \setminus t_e$	-5	-10	-15	-20	-25	-30	-35	-40	-45
30	7 300	6 020	4 900	3 930	3 090	2 370	1 770	1 260	840
40	6 150	5 050	4 090	3 270	2 550	1 950	1 430	1 000	630
45	5 590	4 580	3 710	2 950	2 300	1 750	1 280	880	540
50	5 050	4 130	3 340	2 650	2 070	1 570	1 140	780	-

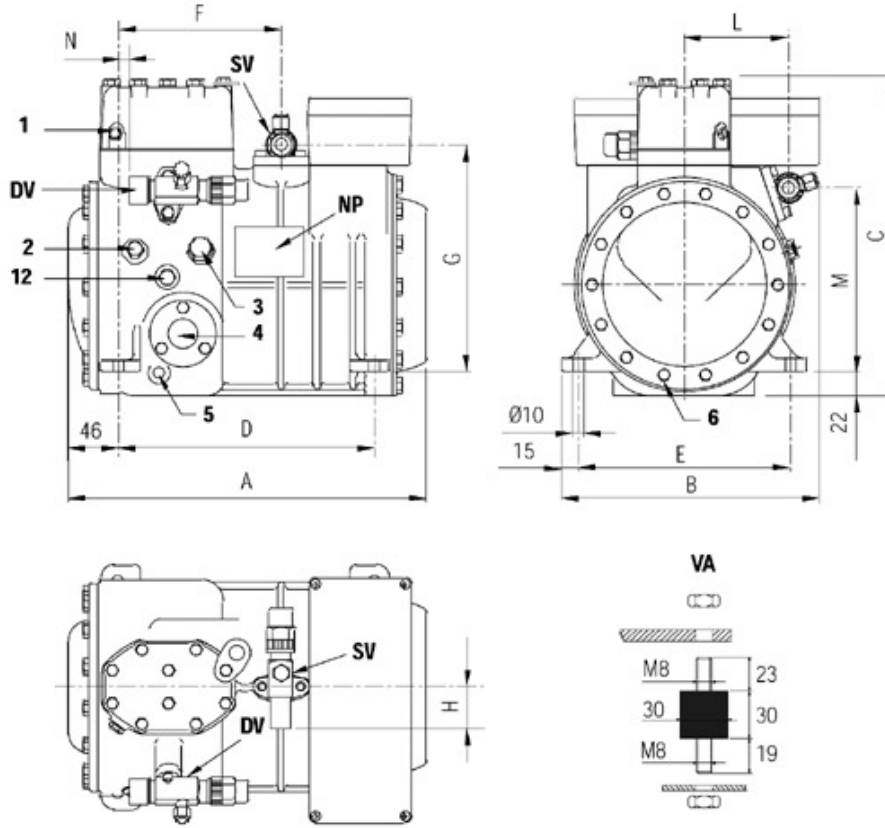
Power input [W]

$t_c \setminus t_e$	-10	-20	-30	-40
40	2 450	2 050	1 610	1 150

With head cooling

Operating conditions: suction gas temperature 20°C, 0K subcooling

 t_c - Condensing temperature [°C] t_e - Evaporating temperature [°C]



A	329 mm
B	237 mm
C	292 mm
D	234 mm
E	194 mm
F	150 mm
G	209 mm
H	29 mm
L	97 mm
M	167 mm
N	18 mm

1: high pressure plug
 3: oil charge plug
 5: crankcase heater seat
 12: oil return plug
 NP: name plate

2: low pressure plug
 4: oil level sight glass
 6: oil drain plug
 DV: discharge valve
 SV: suction valve

