

Type: Semi-hermetic piston compressors

Producer: Frascold

Series: C

Model: C 3 12 Y

Technical data

Nominal motor power [kW/HP]:	2,2 / 3
Cylinder count:	2
Displacement [m ³ /h]:	12,05
RPM [min ⁻¹]:	1450
Weight net [kg]:	40
Weight gross [kg]:	41
Oil charge [dm ³]:	1,2

Electrical data

Power supply [V/~/Hz]:	230V/3/50 Δ	400V/3/50 Y
Locked rotor current [A]:	75,9	43,7
Max. operating current [A]:	14,2	8,2

Connections

	<u>milimeters</u>	<u>inches</u>
Suction line:	22,2	7/8"
Discharge line:	15,8	5/8"

R22

Cooling capacity [W]

$t_c \setminus t_e$	12.5	7.5	5	0	-5	-10	-15	-20	-25	-30
30	17 180	14 490	13 280	11 080	9 190	7 560	6 160	4 960	3 930	3 050
40	15 430	12 990	11 890	9 910	8 200	6 720	5 460	4 360	3 420	2 580
45	14 540	12 230	11 180	9 310	7 690	6 300	5 100	4 090	3 150	2 340
50	13 640	11 450	10 470	8 710	7 180	5 870	4 740	3 760	2 890	2 110

Power input [W]

$t_c \setminus t_e$	5	-10	-20	-30
40	2 720	2 570	2 240	1 770

With head cooling

Operating conditions: suction gas temperature 20°C, 0K subcooling

 t_c - Condensing temperature [°C] t_e - Evaporating temperature [°C]

R134a

Cooling capacity [W]

t_c \ t_e	12.5	7.5	5	0	-5	-10	-15	-20
50	8 090	6 650	6 010	4 860	3 880	3 050	2 340	1 750
60	6 910	5 670	5 120	4 120	3 270	2 540	1 920	1 400
70	5 760	4 710	4 240	3 400	2 670	2 050	1 520	1 070
80	4 610	3 770	3 380	2 690	2 090	1 580	1 130	-

Power input [W]

t_c \ t_e	12.5	5	0	-10
60	3 200	2 790	2 520	2 010

With head cooling

Operating conditions: suction gas temperature 20°C, 0K subcooling

t_c - Condensing temperature [°C]

t_e - Evaporating temperature [°C]

R404A/R507

Cooling capacity [W]

t_c \ t_e	7.5	5	0	-5	-10	-15	-20	-25	-30	-35
30	14 490	13 280	11 110	9 220	7 590	6 170	4 960	3 910	3 020	2 270
40	12 470	11 430	9 560	7 920	6 490	5 260	4 190	3 280	2 490	1 830
45	11 440	10 490	8 760	7 250	5 940	4 790	3 810	2 960	2 230	1 620
50	10 380	9 520	7 950	6 570	5 370	4 330	3 420	2 640	1 980	-

Power input [W]

t_c \ t_e	5	-10	-20	-30
40	3 700	3 150	2 620	2 080

With head cooling

Operating conditions: suction gas temperature 20°C, 0K subcooling

t_c - Condensing temperature [°C]

t_e - Evaporating temperature [°C]

R407C

Cooling capacity [W]

t_c \ t_e	12.5	7.5	5	0	-5	-10	-15	-20	-25
30	16 310	13 550	12 330	10 140	8 270	6 670	5 310	4 150	3 180
40	14 420	11 960	10 870	8 920	7 240	5 800	4 570	3 520	2 630
45	13 450	11 150	10 130	8 290	6 710	5 350	4 180	3 190	2 350
50	12 450	10 320	9 360	7 650	6 160	4 890	3 790	2 860	2 060

Power input [W]

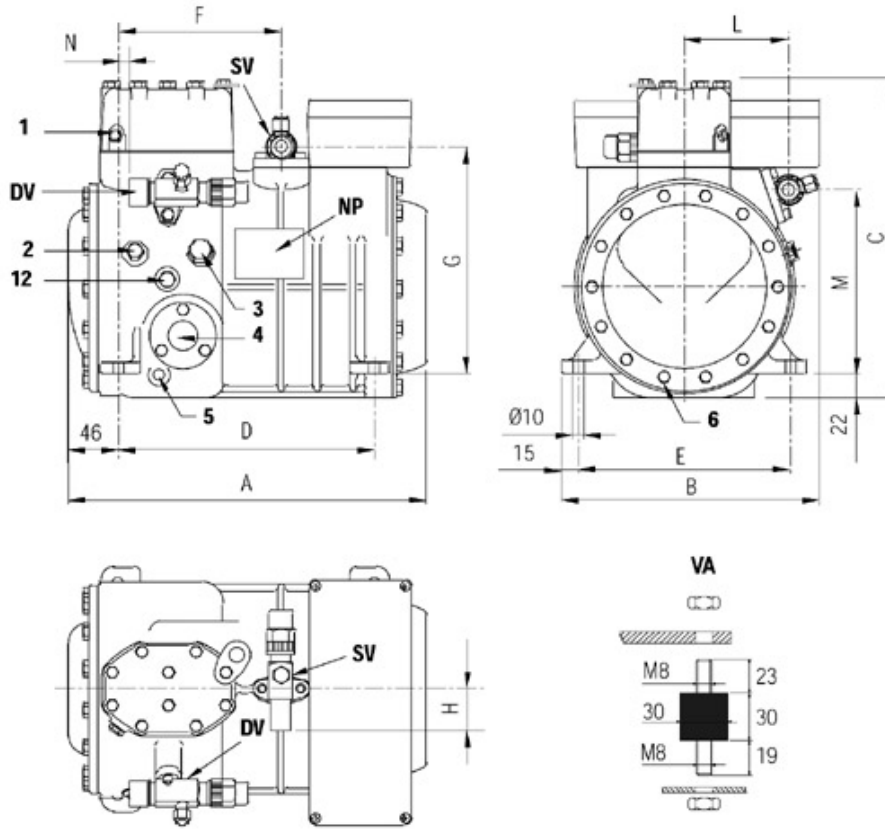
t_c \ t_e	7.5	0	-10	-20
40	3 080	2 820	2 370	1 920

With head cooling

Operating conditions: suction gas temperature 20°C, 0K subcooling

t_c - Condensing temperature [°C]

t_e - Evaporating temperature [°C]



A	361 mm
B	237 mm
C	292 mm
D	234 mm
E	194 mm
F	143 mm
G	209 mm
H	42 mm
L	97 mm
M	167 mm
N	18 mm

1: high pressure plug
 3: oil charge plug
 5: crankcase heater seat
 12: oil return plug
 NP: name plate

2: low pressure plug
 4: oil level sight glass
 6: oil drain plug
 DV: discharge valve
 SV: suction valve

