



Parts and Supplies

Expert advice, immediate availability, and fast delivery



Experts at your service

Trane is a full range service solutions provider, with in-house expertise and an extensive service network that is always on call. We provide a comprehensive parts and supplies inventory offering a variety of manufacturers' parts to service any building's HVAC systems and to ensure optimal operation. Turn to Trane Building Services for expert advice on the right parts at the right place at the right time.

Parts availability

From precision-crafted original Trane items to generic parts from other suppliers, **Trane carries a wide range of items with 6 500** parts items available in 24 to 48 hours. Whether you are looking for compressors, controls, electrical supplies, HVAC accessories, refrigeration components, indoor air quality filters, chemicals, or tools and tests equipment, we can give you a competitive edge.

Our **inventory levels are closely monitored** so that we can provide the needed part that will keep your system running. We have the right high quality parts to **install, maintain, repair, retrofit, and renovate any HVAC system** and maximize their operation during the lifetime of your building. And because we know our customers' needs, we have developed professional kits for common maintenance and repairs to ensure successful servicing of your installation.

Selecting Trane as your single source supplier for original and generic parts also means you receive all your parts on site with no surprise that something is missing because you will not have ordered your parts from different locations. It also implies you improve your productivity, accelerating your purchasing process and simplifying your invoicing process.

Expert advice

For more than half a century, Trane has been selling parts and helping our customers get the most from their systems. Because we also are a manufacturer, our parts experts know your HVAC equipment and systems inside and out. Trane designs parts with an understanding, knowledge and expertise on how to best service and maintain the systems after installation.



With **130 sales and service locations** are at your service throughout Europe, the Middle East, Africa and India, Trane offers uniform local support to the highest standards wherever your building is located: engineering expertise, application assistance, services and parts.

Highly qualified Trane professionals provide the right solution for your specific needs, no matter what your system, budget, or brand requirements might be.

Our service team is trained to give the right technical support in the correct selection of suitable components for each service intervention. You have easy access to parts information and receive quick quotations: 80% of our quotation **requests receive an answer within 24 hours.**

In response to customers' needs, our training centers offer modular and progressive courses that cover every aspect of air conditioning and refrigeration and help your technicians improve their servicing skills.



Fast delivery

We have the infrastructure to find, deliver and even install the required part anywhere in the world with no or a minimum of downtime. Trane is committed to giving you the best value backed with an **advanced logistics infrastructure and a highly efficient distribution network:**

- Main parts center in Genk, Belgium. Strategically located near international carrier hubs, Genk Center enables late order processing with guaranteed next day delivery.
- Three additional major parts distribution centers in Turkey, the United Arab Emirates, and India
- Logistic platforms in Trane factories
- Local parts centers to ensure all your parts needs are fulfilled.

Easy access to parts information

You want an efficient and reliable source for your HVAC parts, controls and supplies. We are here to answer all your questions.

The 2012 Trane Parts and Supplies catalogue offers a wide variety of parts from renowned manufacturers as well as Trane.

Trane conducted detailed Market research to better answer your needs and requirements. As a result, this new edition was enhanced with:

- A part number index
- A manufacturer reference number index
- Expanded views for all Trane unit ranges
- Professional kits for common maintenance or repairs
- Technical data on scroll compressors and plate exchangers
- New equipment parts
- Parts contact information by country

Trane logistics teams continuously improve processes to offer fast delivery at the right place, at the right time. With 250 000 parts sent every year, our warehouse staff has a thorough knowledge of the products to ensure prompt service.

With an **on-line inventory management system**, Trane offers **real-time visibility** of inventory levels to all Trane sales offices so that your Trane representative can provide you with accurate parts information. Once you have placed your order, our on-line tracking system also provides reliable shipment status.

Trane Parts and Supplies Internet site:
<http://doc.trane-eur.com/partscat.nsf>

- Benefit from a powerful search engine to find the products you need
- Download the Parts and Supplies catalogue
- Use the shopping cart to select specific products as you browse through the catalogue and to help you prepare your quote request.

You may also contact your nearest Trane representative. A Trane service expert will listen to your specifications and provide the needed parts.



Trane HVAC kit solutions

To better answer your needs, we have developed a greater range of professional kits for common maintenance and repairs. These kits will offer you greater peace of mind with the guarantee that you have all the parts required for a specific service intervention.

Trane HVAC kits offering

- Compressors
 - Mounting isolator kit
 - Gasket and o’ring kit
 - Revision kits
 - Repair kit
 - Oil line kit
 - Terminal board retrofit kit
- Trane controls
 - Wire harness adapter female kit
- Oil and refrigerant filters
 - RTAC Refrigerant filters kit
- Consumables
 - Acidity kit
 - Oil analysis kit
- CCU unit
 - Humidifier drip tray kit
 - Cylinder filter kit
- Fan coils unit
 - Electrical heater kits
 - Condensat pump kit
 - Lift pump kit
 - Housing and fan kit
- HVAC accessories
 - Ignitor burner gas kit
 - Burner fan kit
 - Retrofit centrifugal pump kit
 - Connector female kit
 - Fan motor kit
 - Motor, fan, guard kit
 - Plenum and grid kit
 - Motor assembly, grid, capacitor kit
- Rooftop unit
 - Fire thermostat kit
 - Siphon kit
 - Clogged filter detector kit
 - Electrical coil V1 kit
 - Speed variator kit
 - Fault relay kit

Please find Trane professional kits full description inside this catalogue.

CONTENTS

Products views

Air cooled chiller	8
Fan coils	9
Close control unit	10
Rooftop unit	11
Air handling unit	12

Compressors

Product focus	13
Hermetic reciprocating compressors	14
Hermetic scroll compressors	22
Hermetic rotary compressors	29
Semi-hermetic reciprocating compressors	30
Semi-hermetic screw compressors	31
Remanufactured reciprocating compressors	33

Compressor parts

CRHR	35
CRHZ	42
CRHE	43

Controls electricals

Disconnect switches	49
Timers	52
Circuit breakers	54
Overload relays	56
Contactors	58
Auxiliary contacts	61
Trane controls	62
Thermostats	68
Room thermostats	70
Sensors	72
Accessories	73
BAS	74

Refrigeration components

Mufflers	77
Safety valves	78
Pressure controls	80
2-way valves	84
Reversing valves	86
Thermostatic expansion valves	89
Sight glasses - brazed type	96
Gauges	97
Coils quotations	98
Plate type heat exchangers	99
Filter driers	101
Oil and refrigerant filters for Trane units	106

Consumables

Product focus	108
Oils - acid tests and oil analyses	109
HVAC maintenance, cleaners and treatments	114

Indoor air quality

Throwaway filters	116
Washable filters	117
Bag filters	118
Fan coil filters	119
Split systems filters	120
Rooftop air filters	123

Close control units

Product view - Jupiter / Mercury	124
Mercury	125
Jupiter	127
Product view - Humidifier bottle	128
Humidifier bottle	129
Filters	130

Trane unit parts

Fan coil unit parts	132
---------------------------	-----

Motors

Three-phase motors	143
--------------------------	-----

HVAC accessories

Sheaves	144
Belts	146
Bushings	147
Rooftop accessories	148
Hydraulic	150
Fan motors	151
Cassette fan motors	152
Shock absorber	153
Trane units remote control	154

Tools

Refrigerant recovery	155
Accessories	156

Environment - energy savings and reliability

Product focus	157
Test equipment	158
Automatic cleaning.....	159

Trane Care™ Services

HVAC service solutions for high-performance buildings	161
---	-----

Trane Controls Services

Comprehensive service contracts for building controls systems	170
---	-----

Trane Intelligent Services

Key to Operational Challenges	171
-------------------------------------	-----

Trane Rental Services

Temporary cooling solutions	172
-----------------------------------	-----

Trane Academy

Become an expert	173
------------------------	-----

Index

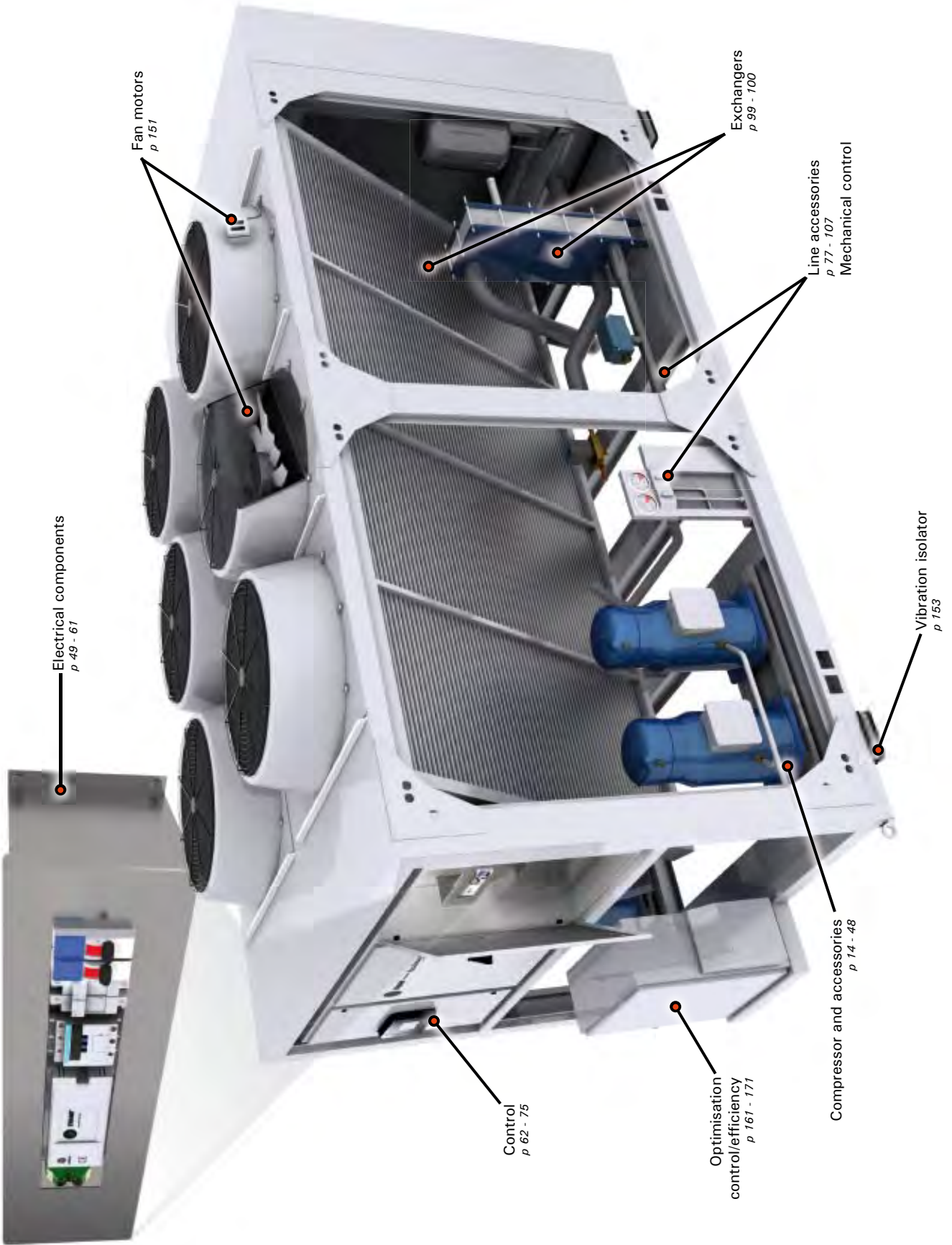
Part number index	174
Manufacturer number to part number index	180

Conversion table

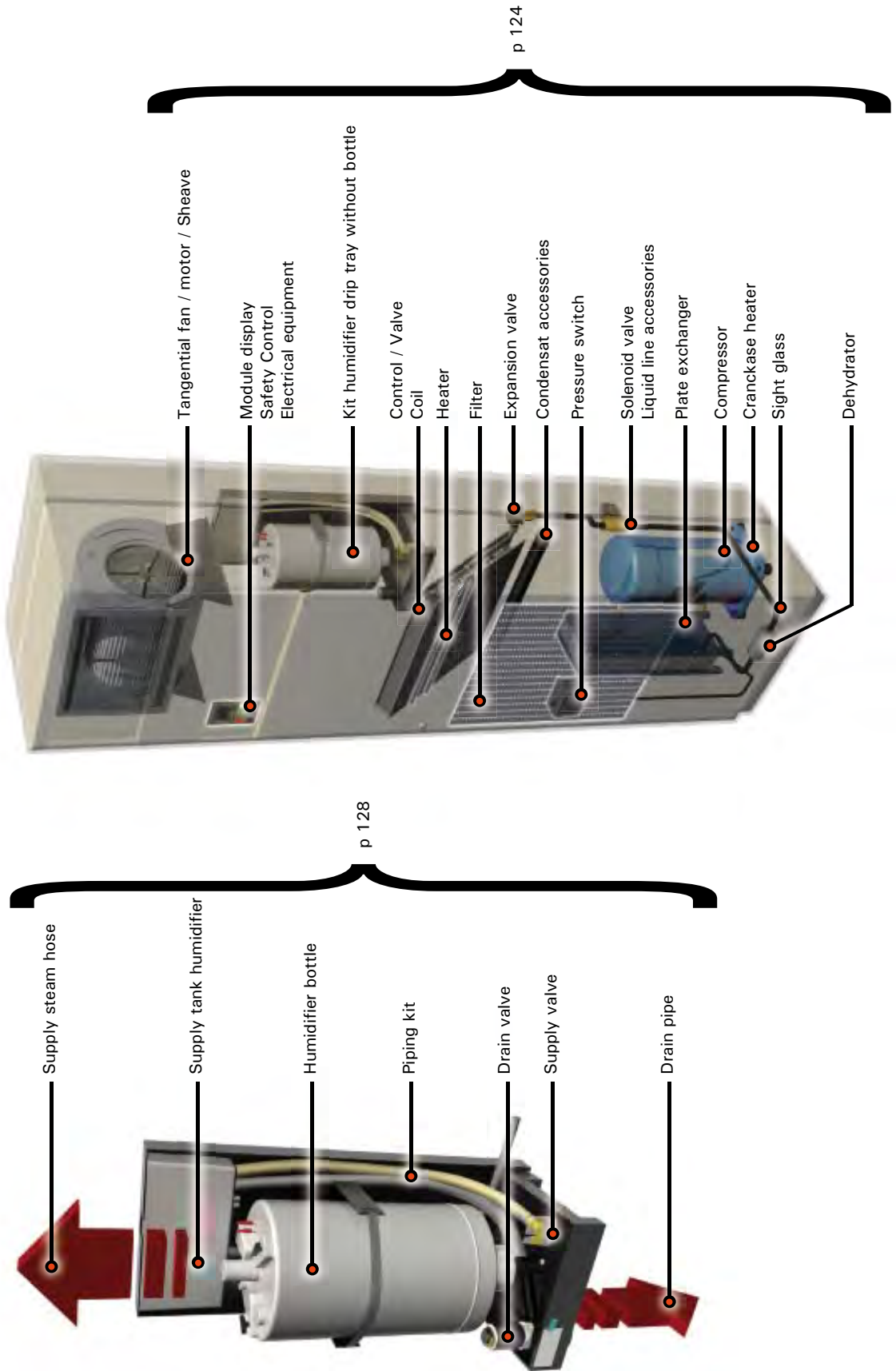
187

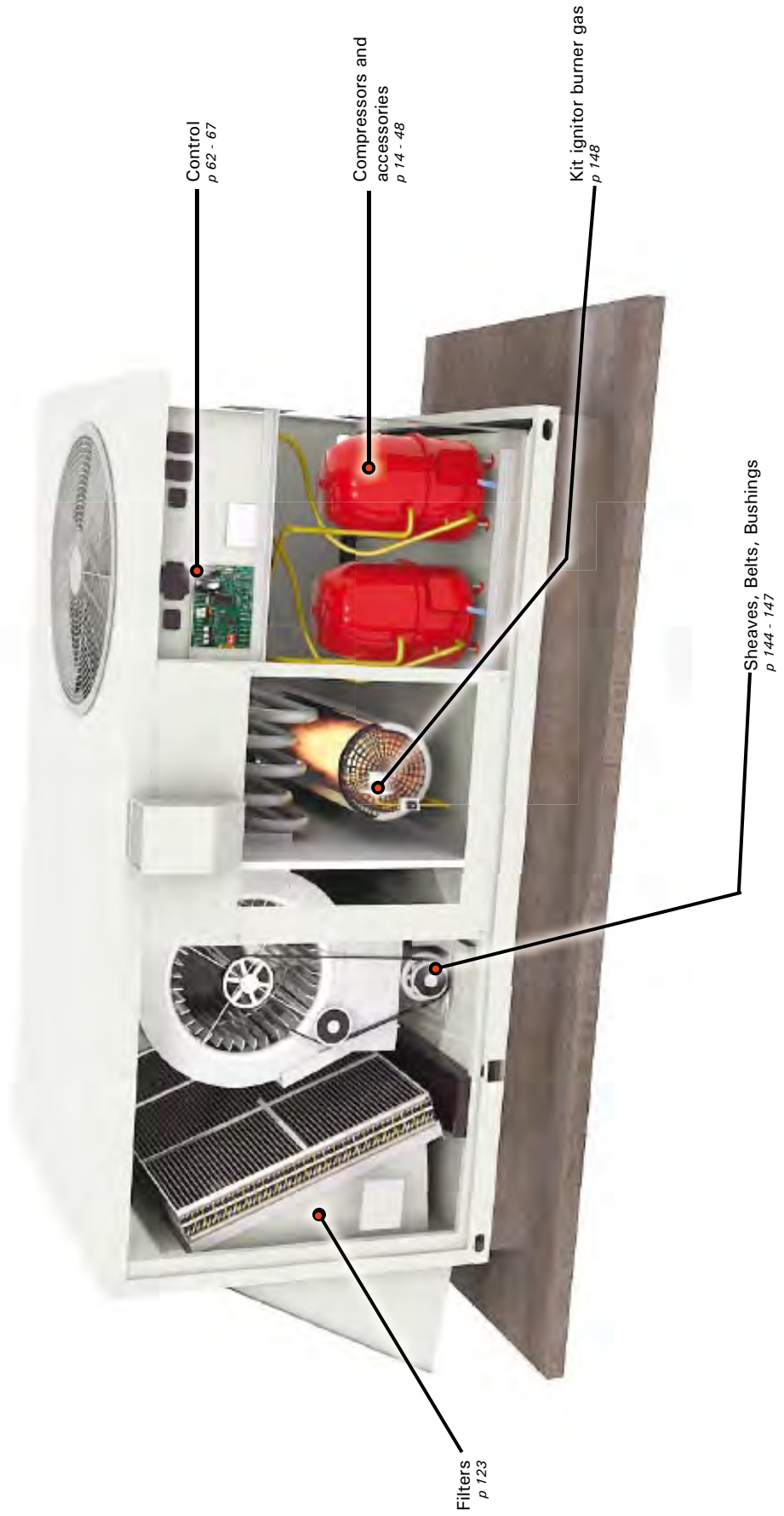
PRODUCTS VIEWS

AIR COOLED CHILLER











Electrical components
p 49 - 61

Damper
Contact us

Electrical motor
p 143:

Centrifugal plug fan
Contact us

Filters
p 118

Drain pan / outlet
Contact us

Valve actuator
Contact us

Valves
Contact us

Coil
Coils quotations
p 98

Electrical heater
Contact us

Control / Module
p 62 - 67

Panel modification
Contact us

Maintenance / Belts / Bushings / Sheaves
page 144 - 147



All the know-how of a leading manufacturer and a broad range of compressors

It is important to choose the right compressor

The compressor is at the heart of the refrigerant circuit and has a direct impact on the power, performance and reliability of the system.

Trane is a leading manufacturer in the field of air conditioning and the application of rotary compressors: scroll, screw and centrifugal compressors.

After more than 10 years of research and development, Trane has also been producing its own screw compressors since 1988.

Performance and reliability have always been the leading criteria in the development of our compressors, which cover a power range stretching from 105 to 1,600 kW.

Remanufactured screw and reciprocating compressors

Trane also offers a wide range of remanufactured semi-hermetic screw and reciprocating compressors.

They are remanufactured in strict accordance with the original assembly procedures and guarantee the same levels of service and reliability as new models.

Contact your Trane representative for more details.

Hermetic compressors

Trane also offers a broad multi-brand range of hermetic reciprocating or scroll compressors.

Hermetic reciprocating compressors:

- Trane type GP
- Danfoss type MT-MTZ
- Hermetic unit, type AE-AJ-FH-TAH-TAG

Hermetic scroll compressors:

- Trane type CSHN/CSHA
- Danfoss type SM/SZ
- Copeland type ZR

COMPRESSORS

HERMETIC RECIPROCATING COMPRESSORS

MT - R22



Model number	Cooling capacity (Kw) (1)	Option (3)	Power supply (V/ Hz/Ph)	Shipping weight (Kg)	Oil quantity (L) (4)	Suction diameter	Discharge diameter	Suction Rotalock Valves (2)	Discharge Rotalock Valves (2)	Crankcase heaters (2)	Ordering number
MT 18JA5	3.9	-	230/50/1	21.0	1.0	1/2"	3/8"	VAL0233E	VAL0649E	HTR0050E	COM0740E
MT 22JC5	4.9	VI	230/50/1	21.0	1.0	1/2"	3/8"	VAL0233E	VAL0649E	HTR0050E	COM0676E
MT 28JE4	6.7	VI	400/50/3	23.0	1.0	1/2"	3/8"	VAL0233E	VAL0649E	HTR0050E	COM0626E
MT 28JE5	6.7	-	230/50/1	23.0	1.0	1/2"	3/8"	VAL0233E	VAL0649E	HTR0050E	COM0741E
MT 32JF6	7.2	VI	230/50/3	24.0	1.0	5/8"	1/2"	VAL0234E	VAL0233E	HTR0050E	COM0594E
MT 32JF5	7.2	VI	230/50/1	24.0	1.0	5/8"	1/2"	VAL0234E	VAL0233E	HTR0050E	COM0595E
MT 32JF4	7.2	VI	400/50/3	25.0	1.0	5/8"	1/2"	VAL0234E	VAL0233E	HTR0050E	COM0596E
MT 36JF5	8.5	-	230/50/1	25.0	1.0	5/8"	1/2"	VAL0234E	VAL0233E	HTR0050E	COM0742E
MT 36JG6	8.5	VI	230/50/3	25.0	1.0	5/8"	1/2"	VAL0234E	VAL0233E	HTR0050E	COM0613E
MT 36JG4	8.5	VI	400/50/3	25.0	1.0	5/8"	1/2"	VAL0234E	VAL0233E	HTR0050E	COM0602E
MT 40JH6	9.3	VI	230/50/3	26.0	1.0	5/8"	1/2"	VAL0234E	VAL0233E	HTR0050E	COM0603E
MT 40JH4	9.3	VI	400/50/3	26.0	1.0	5/8"	1/2"	VAL0234E	VAL0233E	HTR0050E	COM0604E
MT 50HK6	10.9	VI	230/50/3	35.0	2.0	7/8"	3/4"	VAL0236E	VAL0235E	HTR0050E	COM0605E
MT 50HK4	10.9	VI	400/50/3	37.0	2.0	7/8"	3/4"	VAL0236E	VAL0235E	HTR0050E	COM0606E
MT 56HL4	12.5	VI	400/50/3	37.0	2.0	7/8"	3/4"	VAL0236E	VAL0235E	HTR0050E	COM0688E
MT 64HM6	14.1	VI	230/50/3	37.0	2.0	7/8"	3/4"	VAL0236E	VAL0235E	HTR0050E	COM0607E
MT 64HM4	14.1	VI	400/50/3	37.0	2.0	7/8"	3/4"	VAL0236E	VAL0235E	HTR0050E	COM0597E
MT 72HN4	15.4	VI	400/50/3	40.0	2.0	7/8"	3/4"	VAL0236E	VAL0235E	HTR0050E	COM0598E
MT 80HP6	17.6	VI	230/50/3	40.0	2.0	1"1/8	3/4"	VAL0237E	VAL0235E	HTR0050E	COM0608E
MT 80HP4	17.6	VI	400/50/3	40.0	2.0	1"1/8	3/4"	VAL0237E	VAL0235E	HTR0050E	COM0599E
MT 73HN4	18.2	VI	400/50/3	41.0	2.0	7/8"	3/4"	VAL0236E	VAL0235E	HTR0050E	COM0687E
MT 100HS6	21.5	VI	230/50/3	60.0	4.0	1"1/8	3/4"	VAL0237E	VAL0650E	HTR0050E	COM0600E
MT 100HS4	21.5	VI	400/50/3	60.0	4.0	1"1/8	3/4"	VAL0237E	VAL0650E	HTR0050E	COM0609E
MT 125HU6	28	VI	230/50/3	64.0	4.0	1"1/8	3/4"	VAL0237E	VAL0650E	HTR0050E	COM0610E
MT 125HU4	28	VI	400/50/3	64.0	4.0	1"1/8	3/4"	VAL0237E	VAL0650E	HTR0050E	COM0611E
MT 160HW6	35	VI	230/50/3	69.0	4.0	1"1/8	3/4"	VAL0237E	VAL0650E	HTR0050E	COM0612E
MT 160HW4	35	VI	400/50/3	69.0	4.0	1"1/8	3/4"	VAL0237E	VAL0650E	HTR0050E	COM0601E

(1) Duties given at 54.4°C condensing temp, 7.2°C evaporating temp, 8.5°C subcooling, 11.1°C superheat.(ARI conditions)

(2) See "MT/MTZ accessories" table.

(3) Option "VI" : individual manufacturer packing with sight glass, oil equalization, mounting isolators and PTC Type 9HT5 (HTR0050E).

(4) Oil: see oil tables

MTZ - R407C



Model number	Cooling capacity (Kw) (1)	Option (3)	Power supply (V/Hz/Ph)	Shipping Weight (Kg)	Oil quantity (L) (4)	Suction diameter	Discharge diameter	Suction Rotalock Valves (2)	Discharge Rotalock Valves (2)	Crankcase heater (2)	Ordering Number
MTZ 28JE6	6.1	VI	230/50/3	23.0	1.0	1/2"	3/8"	VAL0233E	VAL0649E	HTR0050E	COM0665E
MTZ 32JF6	6.9	VI	230/50/3	24.0	1.0	5/8"	1/8"	VAL0234E	VAL0233E	HTR0050E	COM0666E
MTZ 32JF4	6.9	VI	400/50/3	24.0	1.0	5/8"	1/2"	VAL0234E	VAL0233E	HTR0050E	COM0667E
MTZ 36JG4	8.0	VI	400/50/3	25.0	1.0	5/8"	1/2"	VAL0234E	VAL0233E	HTR0050E	COM0668E
MTZ 40JH4	9.1	VI	400/50/3	26.0	1.0	5/8"	1/2"	VAL0234E	VAL0233E	HTR0050E	COM0669E
MTZ 50HK4	11.2	VI	400/50/3	35.0	2.0	7/8"	3/4"	VAL0236E	VAL0235E	HTR0050E	COM0670E
MTZ 64HM4	14.6	VI	400/50/3	37.0	2.0	7/8"	3/4"	VAL0236E	VAL0235E	HTR0050E	COM0671E
MTZ 80HP4	18.5	VI	400/50/3	40.0	2.0	1" 1/8"	3/4"	VAL0237E	VAL0235E	HTR0050E	COM0672E
MTZ 100HS4	22.1	VI	400/50/3	60.0	4.0	1" 1/8"	3/4"	VAL0237E	VAL0650E	HTR0050E	COM0404E
MTZ 125HU4	29.2	VI	400/50/3	64.0	4.0	1" 1/8"	3/4"	VAL0237E	VAL0650E	HTR0050E	COM0405E
MTZ 160HW4	37.4	VI	400/50/3	69.0	4.0	1" 1/8"	3/4"	VAL0237E	VAL0650E	HTR0050E	COM0406E

(1) Duties given at 54.4°C condensing temp. 7.2°C evaporating temp, 8.5°C subcooling, 11.1°C superheat. (ARI conditions)

(2) See "MT/MTZ accessories" table.

(3) Option "VI" : Individual manufacturer packing with sight glass, oil equalization, mounting isolators and PTC type 9HT5 (HTR0050E).

(4) Oil: see oil tables

COMPRESSORS

HERMETIC RECIPROCATING COMPRESSORS

MT/MTZ Accessories



Part description	Ordering number
Suction valve V06 - 1/2" for MT/MTZ: 18-22-28	VAL0233E
Suction valve V09 - 5/8" for MT/MTZ: 32-36-40	VAL0234E
Suction valve V07 - 7/8" for MT/MTZ: 50-64	VAL0236E
Suction valve V02 - 1"1/8 for MT/MTZ: 80-100-125-160	VAL0237E
Discharge valve V01 - 3/8" for MT/MTZ: 18-22-28	VAL0649E
Discharge valve V06 - 1/2" for MT/MTZ 32-36-40	VAL0233E
Discharge valve V04 - 3/4" for MT/MTZ: 50-64-80	VAL0235E
Discharge valve V05 - 7/8" for MT/MTZ: 100-125-160	VAL0650E
Crankcase heater 12-38W 230 to 600V (automatic control)	HTR0050E
Start relay 230v	RLY0221E

**HERMETIC RECIPROCATING
COMPRESSORS**

CR - R22



Model number	Cooling capacity (1) (Kw)	Power Supply (V/Ph/Hz)	Shipping weight (Kg)	Ordering number
CR 22 K6 TFD 770	5.37	460/60/3	30.4	COM06257
CR 37 KQE TFD 28 SBM	8.38	400/50/3	29.0	COM0693E
CR JQ 0300 PFJ 522	9.2	230/50/1	35.0	COM06172
CR JQ 0300 TFD 522	9.2	400/50/3	35.0	COM0446E
CR 47 KQ PFZ 28 SBM	10.8	230/50/1	33.0	COM0691E
CR 47 KQE TFD 28 SBM	10.8	400/50/3	35.0	COM0692E
CR LQ 0350 PFJ 522	10.8	230/50/1	35.0	COM06171
CR LQ 0350 TFD 522	10.8	400/50/3	35.0	COM06173
CR NQ 0500 TFD 550	12.8	400/50/3	38.0	COM0704E

(1) Duties given at 40°C condensing temp., 0°C evaporating temp.

Supplied with mounting isolators and crankcase heater.

SC - R22



Model number	Refrigerant	Cooling capacity (Kw) (1)	Power supply (V/Hz/Ph)	Shipping Weight (Kg)	Shock absorber	Start relays	Ordering number
SC 10 DX	R22	1.3	230/50/1	12.6	MNT0096E	RLY0256E	COM0408E
SC 15DX	R22	1.3	230/50/1	13.0	MNT0096E	RLY0257E	COM0409E
SC 15/15D	R22	4.0	230/50/1	28.0	MNT0096E	2 X RLY0257E	COM0410E

COMPRESSORS

HERMETIC RECIPROCATING COMPRESSORS

AE/AJ/AH/FH/TAG/TAH - R22



Model number	Cooling capacity (Kw) (1)	Power supply (V/Hz/Ph)	Shipping weight (Kg)	Suction Diameter	Discharge diameter	Crankcase heater (2)	Ordering number
AE 5465E	1.5	230/50/1	13.0	3/8"	1/4"	HTR0066E	COM0384E
AE 5470E	1.8	230/50/1	13.0	3/8"	1/4"	HTR0066E	COM0400E
AJ 5510F	2.4	230/50/1	20.0	3/8"	1/4"	HTR00174	COM0382E
AJ 5512E	2.9	230/50/1	20.0	3/8"	1/4"	HTR00175	COM0401E
AJ 5513E	3.2	230/50/1	21.0	3/8"	1/4"	HTR00176	COM0383E
AJ 5515E	3.7	230/50/1	21.0	1/2"	5/16"	HTR00174	COM0386E
AJ 5518E	4.7	230/50/1	23.0	1/2"	5/16"	HTR00175	COM0394E
AJ 5519E	4.9	230/50/1	23.0	1/2"	5/16"	HTR00176	COM0402E
FH 5522E	5.6	230/50/1	30.0	5/8"	3/8"	HTR0050E	COM0388E
AH 5524E	6.1	230/50/1	30.0	5/8"	3/8"	HTR00174	COM0403E
FH 5528E	7.0	230/50/1	31.0	5/8"	3/8"	HTR0050E	COM0407E
FH 5538F	9.3	230/50/1	33.0	3/4"	3/8"	HTR0050E	COM0411E
FH 5542E	10.2	230/50/1	33.0	3/4"	3/8"	HTR0050E	COM0418E
TAH 5542E	10.2	400/50/3	33.0	3/4"	3/8"	HTR0050E	COM0412E
TAG 5561E	14.6	400/50/3	45.0	7/8"	1/2"	HTR0050E	COM0141E
TAG 5568E	16.2	400/50/3	46.0	7/8"	1/2"	HTR0050E	COM0349E

(1) Duties given at 54.4°C condensing temp., 7.2°C evaporating temp, 8.5°C subcooling, 11.1°C superheat. (ARI conditions)

(2) See "AE/AJ/AH/FH/TAG/TAH accessories" table.

Supplied with mounting isolators.

AE/AJ/AH/FH/TAG/TAH Accessories



Part description	Compressor	Ordering number
Crankcase heater 12-38w 230v to 600v (automatic control)	FH - TAH - TAG	HTR0050E
Stick crankcase heater 30w (AE compressor type)	AE	HTR0066E
Crankcase heater 60w 400v	AJ	HTR00176
Crankcase heater 60w 240v	AJ - AH - TAG	HTR00174

CRHH/CRHL - R22



Model number	Cooling capacity (Kw) (1)	Power supply (V/ Hz/Ph)	Shipping weight (Kg)	Suction diameter	Discharge diameter	Crankcase heater (2)	Mounting isolator (2)	Ordering number
CRHH 062KA	21.9	400/50/3	63.0	1"1/8	5/8"	HTR01226	KIT00988	COM07475
CRHC 075KA	26.4	400/50/3	65.0	1"3/4	1"1/4	HTR01222	KIT01173	COM07499
CRHH 075KA	26.4	400/50/3	65.0	1"1/8	5/8"	HTR01226	KIT00988	COM07478
CRHH 075JA	26.4	230/50/3	65.0	1"3/4	1"1/4	HTR01222	KIT01173	COM07477
CRHL 075KA	26.4	400/50/3	65.0	1"3/4	1"1/4	HTR01222	KIT01173	COM07490
CRHH 083KA	29.1	400/50/3	66.0	1"1/8	5/8"	HTR01226	KIT00988	COM07482
CRHL 100KA	35.1	400/50/3	80.0	1"3/4	1"1/4	HTR01222	KIT01173	COM07494

(1) Duties given at 54.4°C condensing temp, 7.2°C evaporating temp, 8.5°C subcooling, 11.1°C superheat. (ARI conditions).

(2) See "CRHH/CRHL/GP/AS Accessories" table.

Power Supply: 400v/50Hz/3ph or 460v/60Hz/3ph

COMPRESSORS

HERMETIC RECIPROCATING COMPRESSORS

GP - R22



Model number	Cooling capacity (Kw) (1)	Power supply (V/ Hz/Ph)	Shipping weight (KG)	Suction diameter	Discharge diameter	Crankcase heater (2)	Mounting isolator (2)	Ordering number
GP 393GH9HA	9.75	400/50/3 - 460/60/3	45.0	1"3/4	1"1/4	HTR04353	MNT00533	COM08535
GP 483JJ9G	14.0	400/50/3 - 460/60/3	55.0	1"3/4	1"1/4	HTR01614	MNT0533	COM08538
GP 513JK9GA	14.9	400/50/3	32.0	1"3/4	1"1/4	HTR01614	MNT00533	COM08542
GP 553KK1G	15.5	230/60/1	46.0	1"3/4	1"1/4	HTR03384	MNT00533	COM03919
GP 673LM4G	19.7	400/50/3	40.0	1"3/4	1"1/4	HTR01614	MNT00533	COM03758
GP 673LM3G	19.8	230/60/3	45.0	1"3/4	1"1/4	HTR03384	MNT00533	COM03748
GP 813NN4G	23.7	400/50/3	45.0	1"3/4	1"1/4	HTR01614	MNT00533	COM03759

(1) Duties given at 54.4°C condensing temp. 7.2°C evaporating temp, 8.5°C subcooling, 11.1°C superheat. (ARI conditions).

(2) See "CRHH/CRHL/AS/GP accessories" table.

Power Supply: 400v/50Hz/3ph or 460v/60Hz/3ph

AS - R22

Model number	Cooling capacity (Kw) (1)	Power supply (V/ Hz/Ph)	Shipping weight (Kg)	Suction diameter	Discharge diameter	Start capacitor (2)	Start relay (2)	Mounting isolator (2)	Ordering number
AS 17A AA5 A	4.9	230/50/1	28.0	1"1/4	1"	-	-	-	COM08479
AS 24A CD5 - A	7.0	230/50/1	-	1"1/4	1"	CPT00091	RLY0221E	MNT00533	COM08482
AS 29A EE5 - A	8.44	230/50/1	-	1"1/4	1"	CPT00091	RLY0221E	MNT00533	COM08485
AS 35A FG5 - A	10.2	230/50/1	30.0	1"1/4	1"	CPT00091	RLY0221E	MNT00533	COM08540

(1) Duties given at 54.4°C condensing temp. 7.2°C evaporating temp, 8.5°C subcooling, 11.1°C superheat. (ARI conditions).

(2) See "CRHH/CRHL/GP/AS Accessories".

CRHH/CRHL/GP/AS Accessories



Part description	Compressor	Ordering number
Crankcase heater 92w	CRHL	HTR01222
Crankcase heater 67w	GP	HTR01614
Crankcase heater 67w	GP	HTR04353
Crankcase heater 65w	GP	HTR03384
Crankcase heater 60w	CRHH	HTR01226
Capacitor 135-155 mfd	AS	CPT00091
Mounting isolator kit	CRHH	KIT00988
Mounting isolator kit	-	MNT00533

H - R22



Model number	Cooling capacity (Kw) (1)	Power supply (V/Hz/Ph)	Shipping weight (Kg)	Ordering number
H 79A723DBV	17.0	400/50/3	40	COM0447E

(1) Duties given at 54.4°C condensing temp, 7.2°C evaporating temp, 8.5°C subcooling, 11.1°C superheat. (ARI conditions).

COMPRESSORS

HERMETIC SCROLL COMPRESSORS

SM/SZ



Model number	Refrigerant	Connection	Cooling capacity (Kw) R22 (1)	Cooling capacity (Kw) R134a (1)	Cooling capacity (Kw) R407c (1)	Power supply (V/Hz/Ph)	Shipping weight (Kg)	Oil quantity (L) (2)	Suction Diameter	Discharge diameter	Sound insulator (3)	Crankcase heater (3)	Ordering number
SM 100S4VC	R22	Brazed	23.2	-	-	400/50/3	72.0	3.0	1"1/8	3/4"	INS0064E	HTR0116E	COM0662E
SM 115S4RC	R22	Rotalock	28.0	-	-	400/50/3	80.0	4.0	1"3/4	1"1/4	-	HTR0116E	COM0689E
SM 120S4VC	R22	Brazed	30.1	-	-	400/50/3	80.0	3.0	1"3/8	7/8"	INS0065E	HTR0116E	COM0663E
SM 125S4RC	R22	Rotalock	30.1	-	-	230/50/3	80.0	4.0	1"3/4	1"1/4	-	-	COM0767E
SM 160T4RC	R22	Rotalock	39.1	-	-	400/50/3	94.0	4.0	2"1/4	1"3/4	INS0066E	HTR0117E	COM0788E
SM 161T4VC	R22	Brazed	39.3	-	-	400/50/3	86.0	3.0	1"3/8	7/8"	INS0066E	HTR0117E	COM0664E
SM 185S4RC	R22	Rotalock	41.1	-	-	400/50/3	103.0	6.0	2"1/4	1"3/4	INS0031E	HTR0117E	COM0771E
SM 175S4RC	R22	Rotalock	42.0	-	-	400/50/3	103.0	6.0	1"5/8	1"1/8	INS0031E	HTR0117E	COM0772E
SM 185S6RC	R22	Rotalock	45.5	-	-	230/50/3	103.0	6.0	1"5/8	1"1/8	INS0031E	-	COM0766E
SZ 090S4VC	R407c	Brazed	-	-	20.4	400/50/3	72.0	3.0	1"1/8	3/4"	INS0064E	HTR0116E	COM0705E
SZ 125S4RC	R134a	Rotalock	-	20.7	-	230/50/3	80.0	4.0	1"3/4	1"1/4	-	-	COM0769E
SZ 100S4VC	R134a / R407c	Brazed	-	21.6	21.7	400/50/3	72.0	3.0	1"1/8	3/4"	INS0064E	HTR0116E	COM0616E
SZ 120S4VC	R134a / R407c	Brazed	-	28.6	28.7	400/50/3	80.0	3.0	1"3/8	7/8"	INS0065E	HTR0116E	COM0618E
SZ 185S6RC	R134a	Rotalock	-	30.4	-	230/50/3	103.0	6.0	2"1/4	1"3/4	INS0031E	-	COM0768E
SZ 185S4RC	R407c	Rotalock	-	-	38.64	400/50/3	103.0	6.0	2"1/4	1"3/4	INS0031E	HTR0117E	COM0803E
SZ 161T4VC	R134a / R407c	Brazed	-	38.4	39.5	400/50/3	86.0	3.0	1"3/8	7/8"	INS0066E	HTR0116E	COM0620E
SZ 175S4RC	R407c	Rotalock	-	-	40.1	400/50/3	103.0	6.0	2"1/4	1"3/4	INS0031E	HTR0117E	COM0774E
SZ 300A4AAM	R407c	Brazed	-	-	72.8	400/50/3	160.0	8.0	1"5/8	1"1/8	-	-	COM0775E
SZ 3807A77M	R407c	Brazed	-	-	89.6	400/50/3	163.0	8.4	2"1/8	1"3/8	-	-	COM0776E

(1) Duties given at 54.4°C condensing temp. 7.2°C evaporating temp, 8.3°C subcooling, 11.1°C superheat. (ARI conditions)

(2) Oil: see oil tables.

(3) See "SM/SZ/CSHN Accessories" table.

SM/SZ/CSHN Accessories



Part description	Ordering number
Sound insulator for CSHN 10T	INS0030E
Sound insulator for CSHN 15T	INS0031E
Sound insulator for SM/SZ 100	INS0064E
Sound insulator for SM/SZ 120	INS0065E
Sound insulator for SM/SZ 161	INS0066E
Crankcase heater 50w 400v for SM/SZ 100-120	HTR0116E
Crankcase heater 50w 400v for SM/SZ 161	HTR0117E
Mounting isolators set - SM/SZ 125-185	MNT0129E
Motor protection device 230 V - Compressor SH/SZ 180	CNT0334E
Motor protection device 115/230 V - Compressor SH/SZ 240-300-380	CNT0335E

CSHA - R22



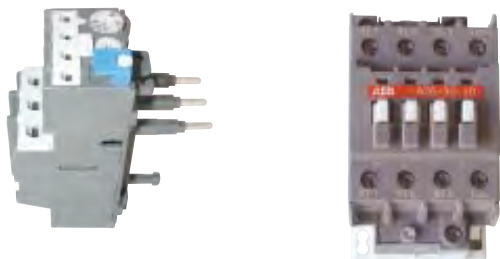
Model number	Cooling capacity (Kw) R22 (1)	Connection	Power supply (V/Hz/Ph)	Shipping weight (Kg)	Oil quantity (L)(2)	Suction Diameter	Discharge diameter	Sound insulator (3)	Crankcase heater (3)	Ordering number
CSHA 10T	30.1	Brazed	400/50/3	78.0	3.8	1"3/8	7/8"	INS0030E	HTR0116E	COM0754E
CSHA 15T	45.5	Brazed	400/50/3	103.0	6.6	1"5/8	1"1/8	INS0031E	HTR0117E	COM0755E

(1) Duties given at 54.4°C condensing temp. 7.2°C evaporatingtemp, 8.3°C subcooling, 11.1°C superheat. (ARI conditions).

(2) Compressors are supplied with oil (Oil: see oil tables).

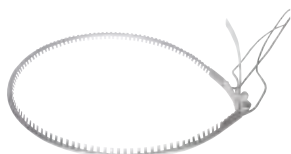
(3) See "CSHA accessories" table.

CSHA Contactors and Overload relays



Compressor	Contactors-Overload relays	Model number	Ordering number
CSHA10	Contactor	LC1D	CTR0058E
CSHA10	Overload relay	LR2D	RLY0102E
CSHA10	Contactor	3RT	CTR0299E
CSHA10	Overload relay	3RU	RLY0308E
CSHA10	Contactor	206280	CTR0269E
CSHA10	Overload relay	14016	RLY0297E
CSHA15	Contactor	LC1D	CTR0059E
CSHA15	Overload relay	LR2D	RLY0109E
CSHA15	Contactor	3RT	CTR0300E
CSHA15	Overload relay	3RU	RLY0309E
CSHA15	Contactor	208180	CTR0272E
CSHA15	Overload relay	140051	RLY0299E

CSHA crankcase heaters



Type	Power (W)	Voltage (V)	Diameter (mm)	Cable length (m)	Ordering number
Ring	50	380	254	1.5	HTR0116E
Ring	50	380	317	1.5	HTR0117E

CSHD - R410A



Model number	Connection	Cooling capacity (Kw) (1)	Power supply (V/Hz/Ph)	Shipping weight (Kg)	Oil quantity (L)(2)	Suction Diameter	Discharge diameter	Motor protection device (3)	Ordering number
CSHD 092K0A00	Brazed	22.3	380-415/50/3	58.0	3.0	1 "1/8	7/8"	-	COM9111E
CSHD 110K0A00	Brazed	26.85	380-415/50/3	64.0	3.3	1 "1/8	7/8"	-	COM9121E
CSHD 10 T	Brazed	30.0	380-415/50/3	64.0	3.3	1"3/8	7/8"	CNT0334E	COM9131E
CSHD 142K0A00	Brazed	34.7	380-415/50/3	58.0	3.3	1 "1/8	7/8"	-	COM9141E
CSHD 13 T	Brazed	38.8	380-415/50/3	69.0	3.3	1"3/8	7/8"	CNT0335E	COM9151E
CSHD 15 T	Brazed	44.65	380-415/50/3	71.5	3.6	1"3/8	7/8"	CNT0335E	COM9161E

(1) Duties given at 54.4°C condensing temp, 7.2°C evaporating temp, 8.3°C subcooling, 11.1°C superheat. (ARI conditions).

(2) Compressors are supplied with oil (Oil: see oil tables).

(3) See "SM/SZ/CSHN accessories".

CSHN - R134a/R407C



Model number	Connection	Cooling capacity (Kw) R134a (1)	Cooling capacity (Kw) R407C (1)	Power supply (V/Hz/Ph)	Shipping weight (Kg)	Oil quantity (L)(2)	Suction Diameter	Discharge diameter	Sound isolator	Crankcase heater (3)	Ordering number
CSHN 10 T	Brazed	20.7	33.7	400/50/3	80.0	3.8	1"3/8	7/8"	INS0030E	HTR0116E	COM0756E
CSHN 15 T	Brazed	30.4	50.9	400/50/3	103.0	6.6	1"5/8	1"1/8	INS0031E	HTR0117E	COM0757E

(1) Duties given at 54.4°C condensing temp, 7.2°C evaporating temp, 8.3°C subcooling, 11.1°C superheat. (ARI conditions).

(2) Compressors are supplied with oil (Oil: see oil tables).

(3) See "CSHA Accessories" table.

COMPRESSORS

HERMETIC SCROLL COMPRESSORS

CSHN - R410A

Model number	Connection	Cooling capacity (Kw) (1)	Power supply (V/Hz/Ph)	Shipping weight (Kg)	Oil quantity (L)(2)	Suction Diameter	Discharge diameter	Motor protection device (3)	Ordering number
CSHN 15 T	Brazed	44.0	380-415/50/3	106	6.7	1"5/8	1"1/8	CNT0334E	COM9171E
CSHN 20 T	Brazed	60.4	380-415/50/3	108	6.7	1"5/8	1"1/8	CNT0335E	COM9002E
CSHN 25 T	Brazed	77.3	380-415/50/3	153	6.7	1"5/8	1"1/8	CNT0335E	COM9004E
CSHN 30 T	Brazed	90.4	380-415/50/3	164	7.2	1"5/8	1"1/8	CNT0335E	COM9006E

ZR - R22/R134a/R407C



Model number	Refrigerant	Connection	Cooling capacity (Kw) (1)	Power supply (V/Hz/Ph)	Shipping weight (Kg)	Oil quantity (L)	Suction diameter	Discharge diameter	Crankcase heater (2)	Ordering number
ZR 22 K 3 E	R22-R134a-R407C	Brazed	5.4/3.14/4.51	230/50/1	24.0	0.7	3/4"	1/2"	HTR0120E	COM0642E
ZR 28 K 3 E	R22-R134a-R407C	Brazed	7.0/4.12/5.78	230/50/1	25.0	0.7	3/4"	1/2"	HTR0120E	COM0643E
ZR 34 K 3 E	R22-R134a-R407C	Brazed	8.3/4.8/6.86	230/50/1	26.0	0.9	3/4"	1/2"	HTR0120E	COM0644E
ZR 34 K 3	R22-R134a-R407C	Brazed	8.3/4.8/6.86	400/50/3	26.0	0.9	3/4"	1/2"	HTR0121E	COM0659E
ZR 40 K 3 E	R22-R134a-R407C	Brazed	9.8/5.59/8.04	230/50/1	27.0	1.0	3/4"	1/2"	HTR0120E	COM0645E
ZR 40 K 3 E	R22-R134a-R407C	Brazed	9.8/5.59/8.04	400/50/3	27.0	1.0	3/4"	1/2"	HTR0121E	COM0648E
ZR 49 K 3 E	R22-R134a-R407C	Brazed	11.5/6.9/10	230/50/1	25.0	1.1	7/8"	1/2"	HTR0121E	COM0646E
ZR 49 K 3 E	R22-R134a-R407C	Brazed	11.5/6.9/10	400/50/3	37.0	1.1	7/8"	1/2"	HTR0121E	COM0649E
ZR 61 K C E	R22-R134a-R407C	Brazed	14.8/8.9/12.98	400/50/3	38.0	1.8	7/8"	1/2"	HTR0121E	COM0650E
ZR 72 K C E	R22-R134a-R407C	Brazed	17.6/10.29/14.5	400/50/3	45.0	1.8	7/8"	1/2"	HTR0121E	COM0651E
ZR 90 K 3 E	R22-R134a-R407C	Rotalock	20.9/13.0/20.7	400/50/3	91.0	4.0	1"1/8	3/4"	HTR0121E	COM0652E
ZR 11 M 3 E	R22-R134a-R407C	Rotalock	24.9/16.0/24.9	400/50/3	91.0	4.0	1"1/8	3/4"	HTR0121E	COM0653E
ZR 11 M 3 E	R22-R134a-R407C	Brazed	24.9/16.0/24.9	400/50/3	91.0	4.0	1"1/8	3/4"	HTR0121E	COM0702E
ZR 12 M 3 E	R22-R134a-R407C	Rotalock	29.0/18.5/29.0	400/50/3	92.0	4.0	1"1/8	7/8"	HTR0121E	COM0654E
ZR 12 M 3 E	R22-R134a-R407C	Brazed	29.0/18.5/29.0	400/50/3	92.0	4.0	1"1/8	7/8"	HTR0121E	COM0703E
ZR 16 M 3 E	R22-R134a-R407C	Rotalock	35.6/22.8/35.6	400/50/3	98.0	4.0	1"1/8	7/8"	HTR0121E	COM0655E
ZR 19 M 3E	R22-R134a-R407C	Rotalock	41.5/36.8/39.5	400/50/3	119.0	4.1	2"1/4	1"3/4	-	COM0758E
ZR 250 K CE	R22-R134a-R407C	Rotalock	54.0/35.5/52.2	400/50/3	154.0	4.7	2"1/4	1"3/4	-	COM0706E
ZR 310 K CE	R22-R134a-R407C	Rotalock	67.0/44.0/65.0	400/50/3	176.0	5.9	2"1/4	1"3/4	-	COM0707E
ZR 380 K CE	R22-R134a-R407C	Rotalock	83.0/55.5/81.7	400/50/3	176.0	6.3	2"1/4	1"3/4	-	COM0759E

(1) Duties given at 54.4°C condensing temp. 7.2°C evaporating temp, 8.3°C subcooling, 11°C superheat. (ARI conditions).

(2) See «ZR accessories» table.

Oil: see oil tables.

ZR - R410A

Model number	Cooling capacity (Kw) (1)	Power supply (V/ Hz/Ph)	Shipping weight (Kg)	Oil quantity (L)	Suction diameter	Discharge diameter	Crankcase heater(2)	Ordering number
ZP 23 K3E	5.0	220-240/50/1	40.0	1.1	3/4"	1/2"	HTR0120E	COM0621E
ZP 26 K3E	5.4	220-240/50/1	40.0	1.1	3/4"	1/2"	HTR0120E	COM0622E

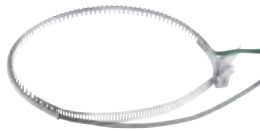
(1) Duties given at 54.4°C condensing temp.7.2°C evaporating temp, 8.3°C subcooling,11°C superheat. (ARI conditions).

(2) See "ZR accessories" tables.

Compressor supplied with oil charge.

Brazed fitting.

ZR Accessories



Part description	Ordering number
Crankcase heater 40w 240V	HTR0120E
Crankcase heater 70w 240V	HTR0121E
Grommet isolator compressor	GRM00242

COMPRESSORS

HERMETIC SCROLL COMPRESSORS

ZB - R134a

Model number	Refrigerant	Connection	Rotalock suction diameter	Rotalock discharge diameter	Cooling capacity (Kw) (1)"	Power supply (V/Hz/Ph)	Shipping weight (Kg)	Oil quantity (L)	Suction diameter	Discharge diameter	Ordering number
ZB 30 KCE PFJ 551	R134a	Rotalock	1" 1/4	1"	3.9	220-240/50/1	35.4	1.9	1" 1/4	1"	COM0815E
ZB 45 KCE TFD 551	R134a	Rotalock	1" 1/4	1"	5.8	380-420/50/3	39.0	1.9	1" 1/4	1"	COM0817E
ZB 19 KCE PFJ 551	R134a	Rotalock	1" 1/4	1"	2.3	220-240/50/1	27.2	1.5	1" 1/4	1"	COM0818E

HLH/HLJ - R410A

Model number	Connection	Cooling capacity (Kw) (1)	Power supply (V/ Hz/Ph)	Shipping weight (Kg)	Oil quantity (L)	Suction Diameter	Discharge diameter	Ordering number
HLH 061T 4LC6	Brazed	13.2	380-415/3/50	37.2	2.0	7/8"	1/2"	COM0819E
HLJ 072T 4LC6	Brazed	15.8	380-415/3/50	37.2	2.0	7/8"	1/2"	COM0820E

(1) Duties given at 54.4°C condensing temp.7.2°C evaporating temp, 8.3°C subcooling,11°C superheat.

(ARI conditions).

Compressor supplied with oil charge.

SS - R22



Model number	Power supply	Cooling capacity (1)	Shipping weight	Ordering number
SSE 068A4BPZ	400/50/3	17.1	40.0	COM08244
SSR 061A4BPZ	400/50/3	17.86	35.0	COM07160
SSR 081A4BPZ	400/50/3	20.4	42.0	COM07172

(1) Duties given at 54.4°C condensing temp.7.2°C evaporating temp, 8.3°C subcooling,11°C superheat.

(ARI conditions).

C-R - R22

Model number	Cooling capacity (Kw) (1)	Power supply (V/Hz/Ph)	Shipping Weight (Kg)	Ordering number
C R91 H5R	2.6	230/50/1	5	COM06189
C R111 H5R	3.5	230/50/1	5	COM06167
C R224 H8S	7.3	230/50/1	5	COM06162
C R224 H8U	7.3	230/50/1	5	COM06182
C R373 H8B	13.0	230/50/1	5	COM06165
C R373 H8S	13.0	230/50/1	5	COM06185

(1) Duties given at 54.4°C condensing temp. 7.2°C evaporating temp, 8.5°C subcooling, 11.1°C superheat.(ARI conditions).

RE/PE/NE - R407C



Model number	Cooling capacity (Kw) (1)	Power supply (V/Hz/Ph)	Shipping Weight (Kg)	Ordering number
RE 207 VHSMT	3.4	230/50/1	14.5	COM0673E
PE 31 VNEMT	5.2	230/50/1	22.2	COM0674E
NE 41 VNHMT	7.5	230/50/1	26.7	COM0675E

(1) Duties given at 54.4°C condensing temp. 7.2°C evaporating temp, 8.5°C subcooling, 11.1°C superheat.(ARI conditions).

Supplied with mounting isolators.

RH/PH/NH - R22



Model number	Cooling capacity (Kw) (1)	Power Supply (V/Hz/Ph)	Shipping Weight (Kg)	Ordering number
RH 135 VHAT	2.2	230/50/1	13.1	COM0449E
RH 165 VHAT	2.8	230/50/1	13.1	COM0448E
RH 207 VHAT	3.5	230/50/1	14.5	COM06364
PH 31 VNET	5.4	230/50/1	22.2	COM0562E
PH 36 VPET	6.3	230/50/1	22.8	COM0563E
NH 41 VNDT	7.3	230/50/1	26.7	COM06159

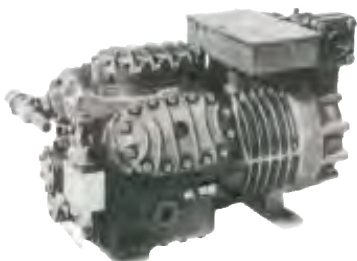
(1) Duties given at 54.4°C condensing temp. 7.2°C evaporating temp, 8.5°C subcooling, 11.1°C superheat.(ARI conditions).

Supplied with mounting isolators.

COMPRESSORS

SEMI-HERMETIC RECIPROCATING COMPRESSORS

CRHZ - R22



Model number	Type	Cooling Capacity (KW) (1)	Standard capacity control	Power supply (V/Hz/Ph)	Shipping weight (Kg)	Ordering number (2)
CRHZ 150	R4N20.2	30.6	2	400/50/3	155.0	COM0028Z
CRHZ 150	4J22.2	35.7	2	230/50/3	190.0	COM0029Z
CRHZ 200	R4H25	41.5	2	230/50/3	203.0	COM0003Z
CRHZ 200	R4H25	41.5	2	346/50/3	203.0	COM0010Z
CRHZ 200	R4H25	41.5	2	400/50/3	203.0	COM0012Z
CRHZ 250	R4G30	47.2	2	230/50/3	206.0	COM0002Z
CRHZ 250	R4G30	47.2	2	400/50/3	206.0	COM0005Z
CRHZ 250	R4G30	47.2	2	346/50/3	150.0	COM0009Z
CRHZ 200	R4H25	49.8	2	230/60/3	203.0	COM0015Z
CRHZ 200	R4H25	49.8	2	380/60/3	210.0	COM0013Z
CRHZ 200	R4H25	49.8	2	460/60/3	203.0	COM0014Z
CRHZ 250	R4G30	56.6	2	380/60/3	203.0	COM0016Z
CRHZ 250	R4G30	56.6	2	460/60/3	203.0	COM0017Z
CRHZ 250	R4G30	56.6	2	230/60/3	250.0	COM0018Z
CRHZ 300	R6H35	62.2	2	230/50/3	235.0	COM0001Z
CRHZ 300	R6H35	62.2	2	400/50/3	235.0	COM0011Z
CRHZ 300	R6H35	62.2	2	400/50/3	250.0	COM0008Z
CRHZ 300	R6H35	74.6	2	380/60/3	251.0	COM0019Z
CRHZ 300	R6H35	74.6	2	460/60/3	160.0	COM0020Z
CRHZ 300	R6H35	74.6	2	230/60/3	200.0	COM0021Z
CRHZ 400	R6G40	70.9	2	400/50/3	238.0	COM0027Z

(1) Duties given at 54.4°C condensing temp., 7.2°C evaporating temp., 8.5°C subcooling, 11.1°C superheat. (ARI conditions).

(2) Compressor only supplied with oil charge.

Oil: See oil tables.

CHHN/CHHB/CHHP - R134a/R22

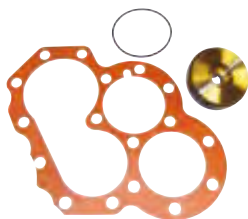


Model number	Starting	Refrigerant	Cooling capacity (KW) (1)	Shipping weight (Kg)	Ordering number
CHHN035	PART WINDING	R134a/R22	85.1	300	COM0422E
CHHN035	STAR/DELTA	R134a/R22	85.1	300	COM0425E
CHHN040	PART WINDING	R134a/R22	100.1	340	COM0423E
CHHN040	STAR/DELTA	R134a/R22	100.1	340	COM0426E
CHHN050	PART WINDING	R134a/R22	127.3	350	COM0424E
CHHN050	STAR/DELTA	R134a/R22	127.3	350	COM0398E
CHHN060	PART WINDING	R134a/R22	150.3	365	COM0427E
CHHN060	STAR/DELTA	R134a/R22	150.3	365	COM0399E
CHHB070	PART WINDING	R134A/R22	187.8	430	COM0419E
CHHB070	STAR/DELTA	R134a/R22	187.8	430	COM0379E
CHHB070	PART WINDING	R134a	135.0	425	COM0552E
CHHB085	PART WINDING	R134a/R22	210.4	500	COM0420E
CHHB085	STAR/DELTA	R134a/R22	210.4	500	COM0380E
CHHB100	PART WINDING	R134a/R22	253.2	530	COM0421E
CHHB100	STAR/DELTA	R134a/R22	253.2	530	COM0381E
CHHB100	PART WINDING	R134a	190.0	515	COM0565E
CHHP N2	-	R134a	360.0	720	COM0680E
CHHP K2	-	R134a	120.0	390	COM0682E
CHHP L1	-	R134a	150.0	425	COM0683E

IMPORTANT NOTE: Trane as a responsible manufacturer takes care about environmental issues. Trane Services will remove free of charge the old body and recycle internal components.

(1) Duties given at 50°C condensing temp., 3°C evaporating temp., 12°C subcooling, 3°C superheat Stepless. Continuous capacity control 20-100% Power supply: 400v/50hz/3ph.

CHHB repair kits

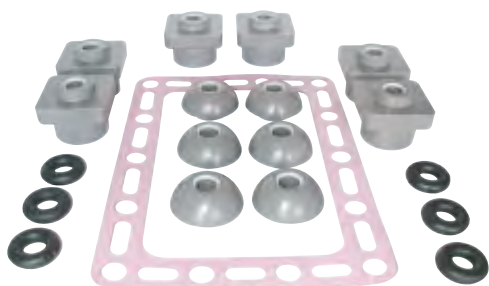


Part description	Used on	Ordering number
KIT PISTON UNLOADER	CHHB070	KIT02583
KIT PISTON UNLOADER	CHHB085	KIT02584
KIT PISTON UNLOADER	CHHB100	KIT02585

COMPRESSORS

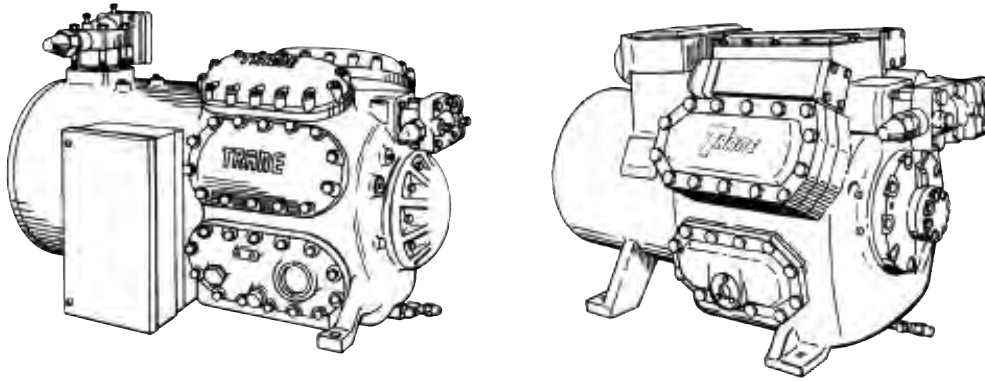
SEMI-HERMETIC SCREW COMPRESSORS

Parts for screw compressors



Part description	Compressor	Ordering number
Terminal board retrofit kit - Compressor CHHB	All	KIT0945E
Terminal board retrofit kit - Compressor CHHC	All	KIT06841
Crankcase heater	CHHB	HTR02047

Semi-hermetics



Model number	Cooling capacity (KW)(1)	Number of steps	Oil qty (L)	Dim. (L x l x H) (mm)	Shipping weight (Kgs)	Capacity control (2)	Special power supply (2)	Low lift valves (2)	Suction unloading (2)	R134a Option (2)	Ordering number
CRHF081	110.07	4	9.7	1200X800X800	355.0	-	OPT0006E	OPT0007E	OPT0008E	OPT0014E	COM0118E
CRHE500	148.5	4	15.0	1200X800X900	580.0	-	OPT0006E	OPT0007E	OPT0008E	OPT0014E	COM0119E
CRHE600	184.8	4	16.0	1200X800X900	650.0	-	OPT0006E	OPT0007E	OPT0008E	OPT0014E	COM0120E
CRHE750	226.2	4	16.0	1200X800X900	650.0	-	OPT0006E	OPT0007E	OPT0008E	OPT0014E	COM0121E
CRHE1CO	301.8	4	17	1200X800X900	750.0	-	OPT0006E	OPT0007E	OPT0008E	OPT0014E	COM0122E
CRHR400	124.3	2	9.5	1200X800X800	385.0	-	OPT0002E	OPT0003E	-	OPT0014E	COM0165E
CRHR500	154.4	2	13.0	1200X800X800	500.0	OPT0001E	OPT0002E	OPT0003E	-	OPT0014E	COM0166E
CRHR600	187.0	2	13.0	1200X800X800	500.0	OPT0001E	OPT0002E	OPT0003E	-	OPT0014E	COM0167E

(1) Duties given at 54.4°C condensing temp. 7.2°C evaporating temp. 8.5°C subcooling 11.1°C superheat. (ARI conditions).

(2) See factory installed options table.

Oil supplied loose for on site filling Parts winding motor 400V/50Hz/3Ph suitable for 380V, 415V/50Hz/3Ph or 460V/60Hz/3Ph.

Factory installed options (semi-hermetic)

Part description	Compressor type	Ordering number
3 Step capacity control	M & R except R400	OPT0001E
Motor voltage 230V/50Hz/3Ph	E, F, M or R	OPT0002E
Low lift valve	R	OPT0003E
Motor voltage 230V/50Hz/3Ph	E, F, S or H	OPT0006E
Low lift valve	E, F, S or H	OPT0007E
Capacity control	E, F, S or H	OPT0008E
R134a option	All	OPT0014E

COMPRESSOR

REMANUFACTURED RECIPROCATING COMPRESSORS

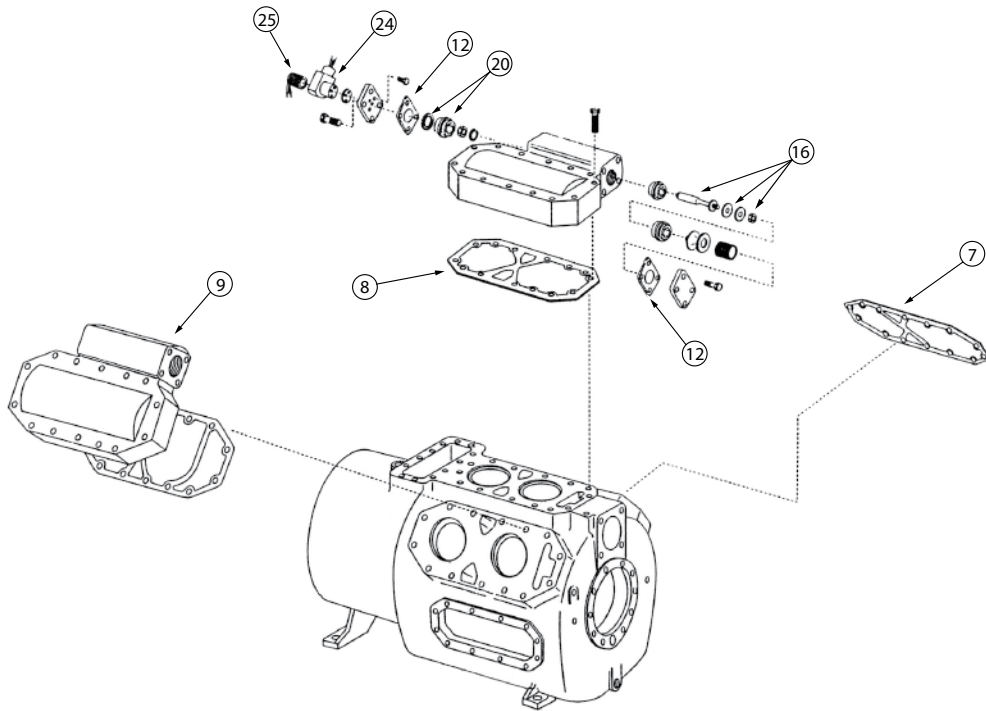
Open

Model number	Compressor type	Oil quantity (L)	Shipping weight (Kg)	Ordering number
CROF 600	3E40	15.0	350	COM0110E
CROF 700	3E50	16.0	420	COM0111E
CROF 750	3E60	16.0	415	COM0112E
CROF 1CO	3E80	17.0	460	COM0113E

Factory installed options (open)

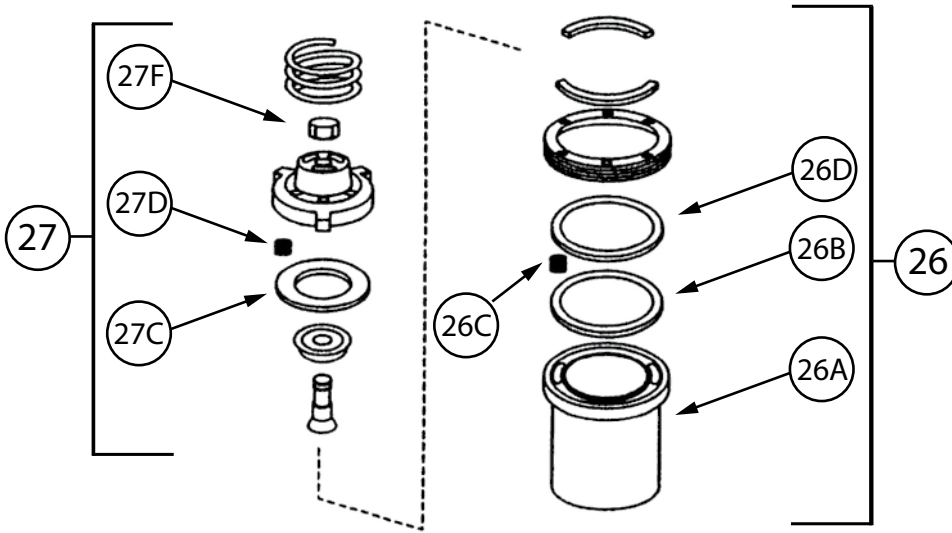
Part description	Ordering number
4 steps capacity control	OPT0012E
Low lift valve	OPT0013E

General assembly



Item	Part description	Ordering number
7	CYLINDER HEAD GASKET	GKT02705
8	CYLINDER HEAD GASKET	GKT02714
9	CYLINDER HEAD GASKET	GKT02707
12	CHECK VALVE GASKET	GKT02701
16	UNLOADER VALVE ASSY	VAL01118
20	UNLOADER PISTON ASSY	PST00049
24	2 WAYS SOLENOID VALVE	VAL05111
25	SOLENOID COIL 120V 50-60HZ	COL03780
25	SOLENOID COIL 220V 50-60HZ	COL01639
*	CRANKCASE HEATER	HTR01566
*	GASKETS AND O'RINGS KIT COMPRESSORS R35-R40	KIT02068
*	GASKETS AND O'RINGS KIT COMPRESSOR R50-R60	KIT02069

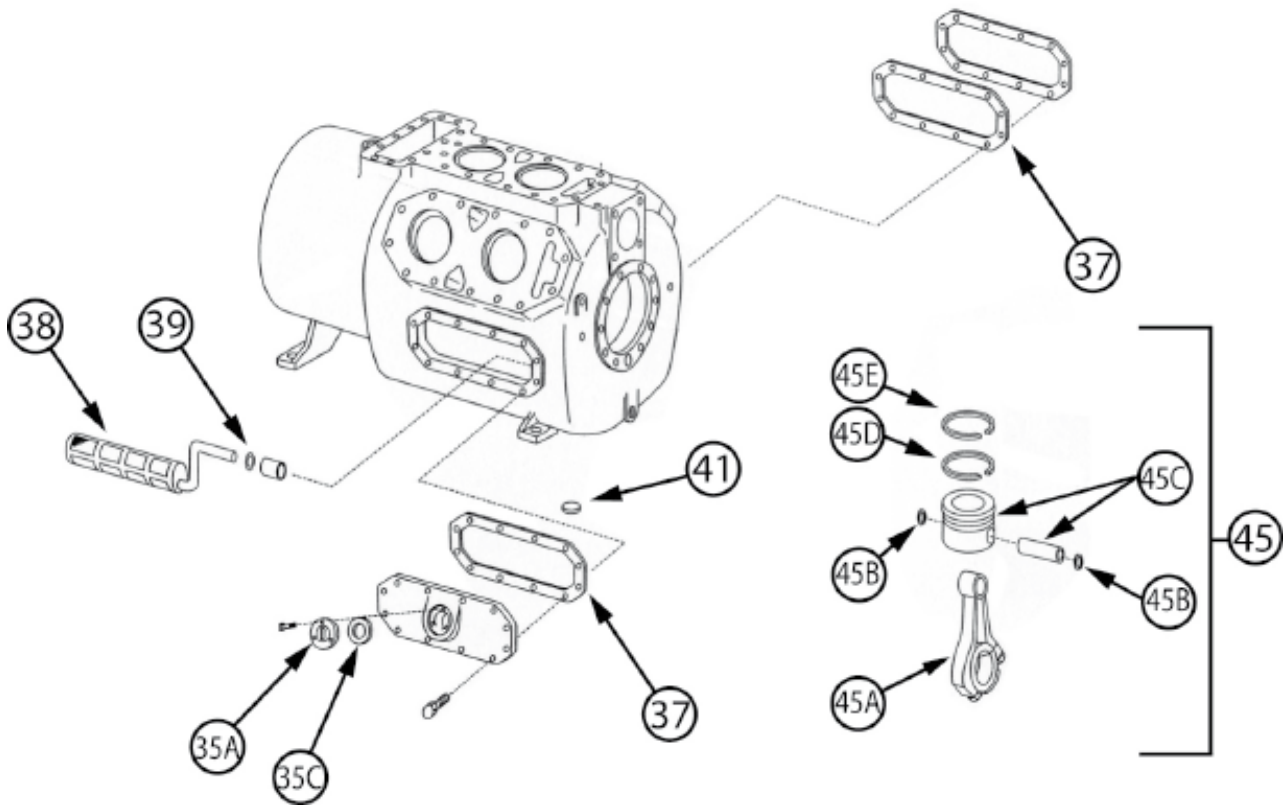
Cylinder liner and discharge valve assembly



Item	Part description	Ordering Number
26	CYLINDER LINER ASSY	LNR00038
27	DISCHARGE VALVE ASSY	VAL01121
26A	CYLINDER LINER	LNR00039
26B	SUCTION VALVE	VAL01123
26C	SUCTION VALVE SPRING	SPG00285 (1)
26D	O-RING	RNG00410
27C	DISCHARGE VALVE	VAL01122
27D	DISCHARGE VALVE SPRING	SPG00277 (1)
27F	LOCK NUT	NUT00970
*	VALVE PLATE COMPRESSOR	PLT00570

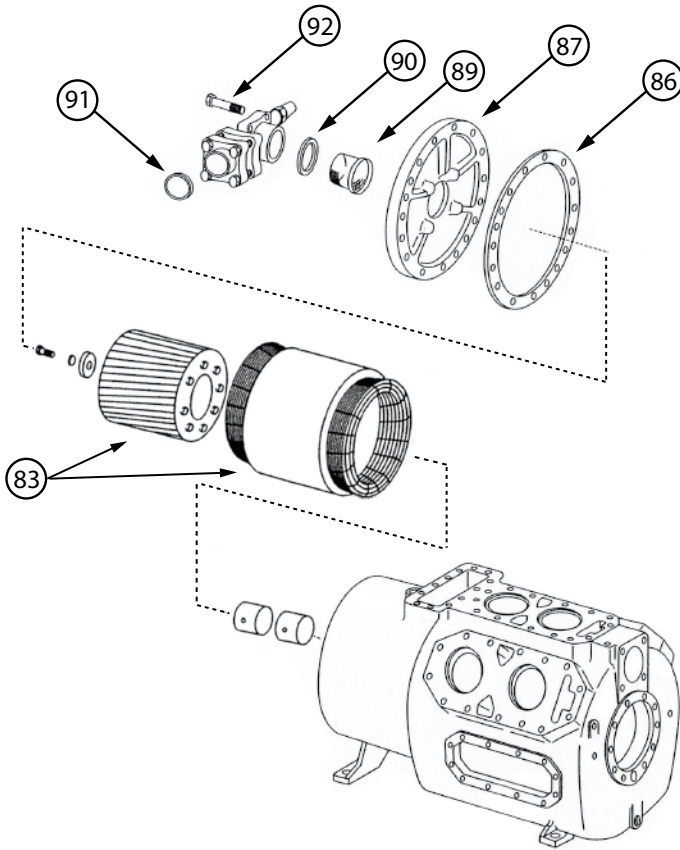
(1): Set of 50 pieces

Cover handhole-piston and rod assembly



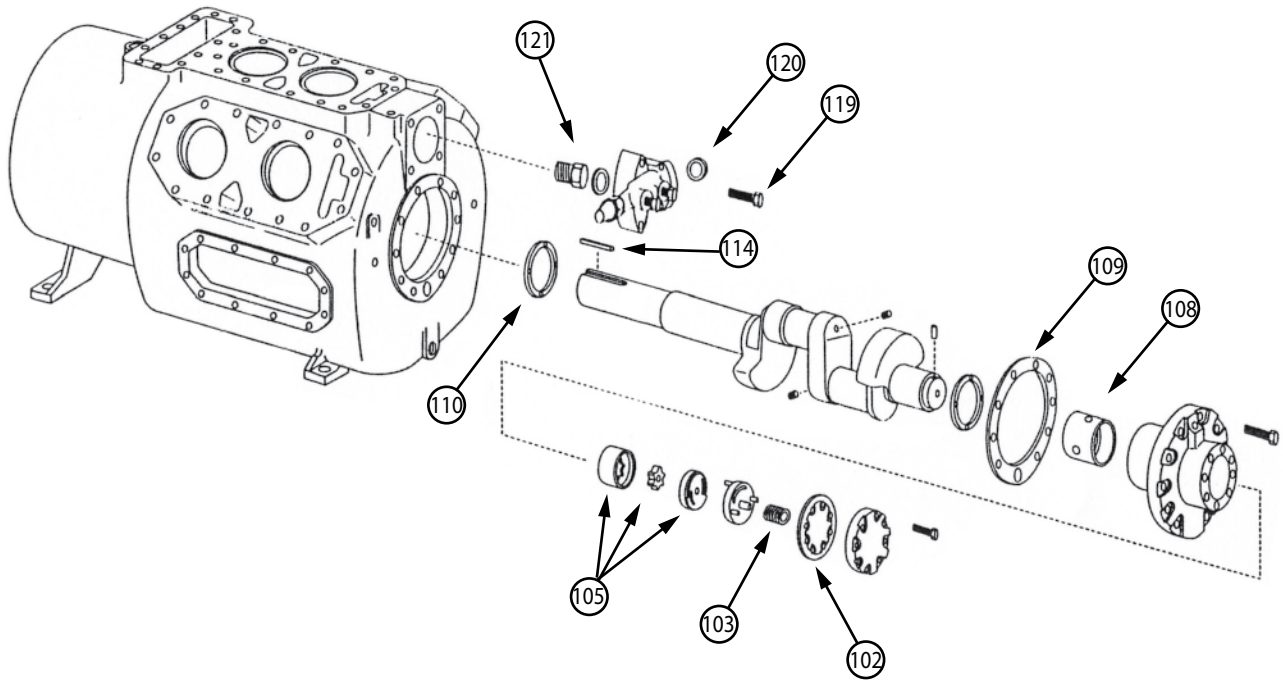
Item	Part description	Ordering number
37	HANDHOLE COVER GASKET	GKT03663
38	OIL STRAINER COMPRESSOR R35/R40	SRA00855
38	OIL STRAINER COMPRESSOR R50/R60	SRA00854
39	O-RING	RNG00145
41	MAGNET COVER	MAG00015
45	PISTON WITH ROD ASSY COMPRESSOR R35/R50	PST00050
45	PISTON WITH ROD ASSY COMPRESSOR R40/R60	PST00043
35A	SIGHT GLASS	GLS00030
35C	O-RING	RNG00818
45A	CONNECTING ROD COMPRESSOR R35/R50	ROD00163
45A	CONNECTING ROD COMPRESSOR R40/R60	ROD00149
45B	RETAINING RING	RNG00087
45C	PISTON WITH AXEL	PST00044
45D	BOTTOM COMPRESSION RING	RNG00411
45E	TOP COMPRESSION RING	RNG00412

Motor assembly



Item	Part description	Ordering number
83	STATOR ROTOR 30.0KW 397/50/3 COMPRESSOR R35/R40	MOT0197E
83	STATOR ROTOR 30.0KW 230/50/3 COMPRESSOR R35/R40	MOT0198E
83	STATOR ROTOR 37.0KW 397/50/3 COMPRESSOR R50	MOT0199E
83	STATOR ROTOR 37.0KW 230/50/3 COMPRESSOR R50	MOT0200E
83	STATOR ROTOR 45.0KW 397/50/3 COMPRESSOR R60	MOT0201E
83	STATOR ROTOR 45.0KW 230/50/3 COMPRESSOR R60	MOT0202E
86	SUCTION COVER GASKET COMPRESSOR R35/R40	GKT04150
86	SUCTION COVER GASKET COMPRESSOR R50/R60	GKT02702
89	SUCTION GAS STRAINER COMPRESSOR R35/R40	SRA00064
89	SUCTION GAS STRAINER COMPRESSOR R50/R60	SRA00073
90	SERVICE VALVE GASKET COMPRESSOR R35/R40	GKT03659
90	SERVICE VALVE GASKET COMPRESSOR R50/R60	GKT03660
91	SERVICE VALVE GASKET COMPRESSOR R35/R40	GKT03647
91	SERVICE VALVE GASKET COMPRESSOR R50/R60	GKT03660
92	SERVICE VALVE COMPRESSOR R35/R40	VAL00035
92	SERVICE VALVE COMPRESSOR R50/R60	VAL00043

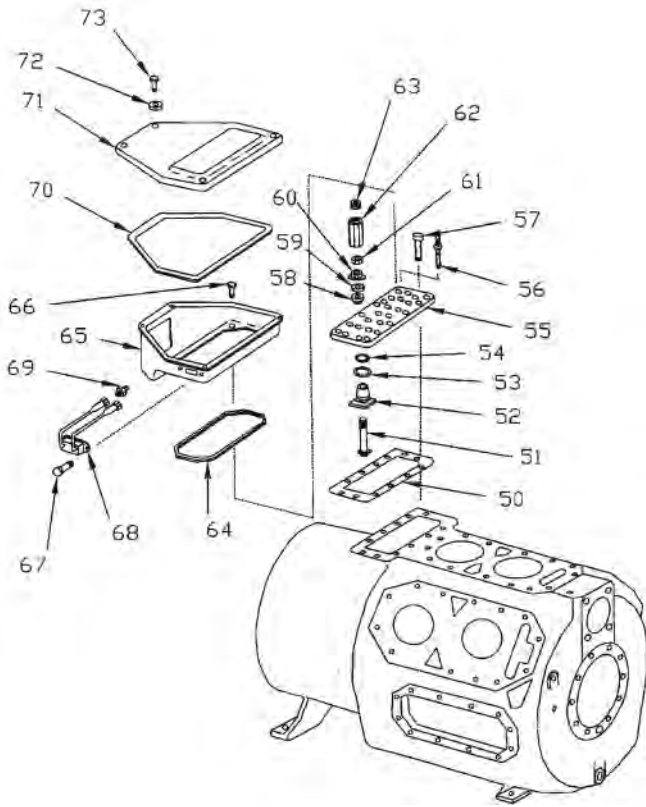
Bearing assembly



Item	Part description	Ordering number
102	OIL PUMP COVER GASKET	GKT03658
103	OIL PUMP SPRING	SPG00861(1)
105	OIL PUMP	PMP00460
108	BEARING	BRG00289
109	BEARING HEAD GASKET	GKT03662
110	THRUST BEARING	BRG00290
115	CHARGING VALVE	VAL00031
119	SERVICE VALVE COMPRESSOR R35/R40	VAL00008
119	SERVICE VALVE COMPRESSOR R50/R60	VAL00009
120	SERVICE VALVE GASKET COMPRESSOR R35/R40	GKT03647
120	SERVICE VALVE GASKET COMPRESSOR R50/R60	GKT03659
121	RELIEF VALVE 385 PSI COMPRESSOR R35/R40	VAL06712
121	RELIEF VALVE 385 PSI COMPRESSOR R50/R60	VAL06711

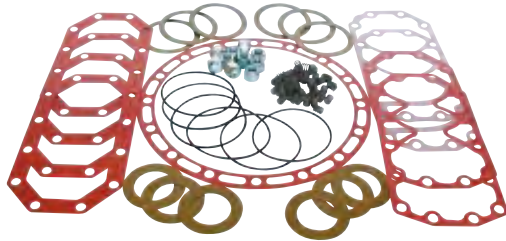
(1): Set of 20 pieces

Junction box assembly



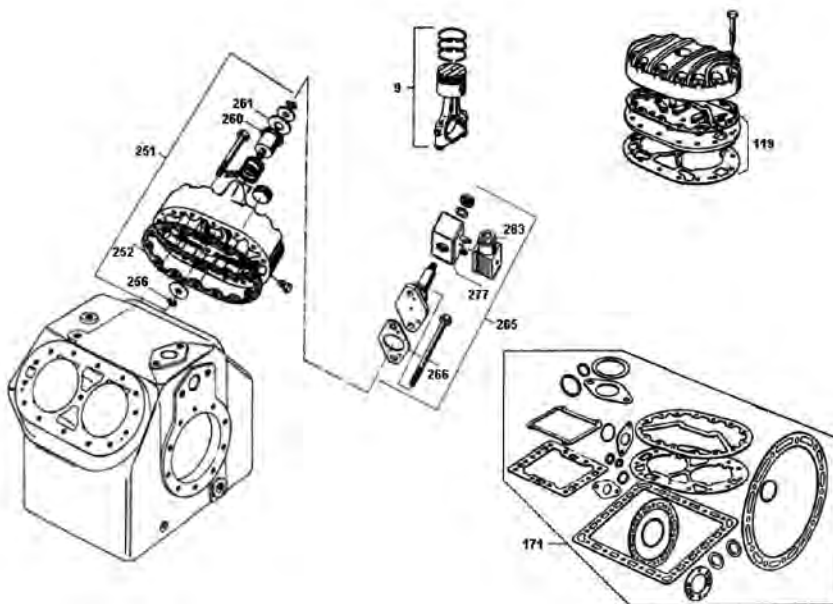
Item	Part description	Ordering number
50	TERMINAL PLATE GASKET COMPRESSOR R35/R40	GKT03656
50	TERMINAL PLATE GASKET COMPRESSOR R50/R60	GKT03661
51	TERMINAL STUD COMPRESSOR R35/R40	STU00067
51	TERMINAL STUD COMPRESSOR R50/R60	STU00068
52	INTERNAL TERMINAL PLATE INSULATION COMPRESSOR R35/R40	INS00197
52	INTERNAL TERMINAL PLATE INSULATION COMPRESSOR R50/R60	INS00199
53	O'RING COMPRESSOR R35/R40	RNG00037
53	O'RING COMPRESSOR R50/R60	RNG00891
54	O'RING COMPRESSOR R35/R40	RNG00038
54	O'RING COMPRESSOR R50/R60	RNG00413
56	HERMETIC TERMINAL	TER00008
58	EXTERNAL TERMINAL PLATE INSULATION COMPRESSOR R35/R40	INS00198
58	EXTERNAL TERMINAL PLATE INSULATION COMPRESSOR R50/R60	INS00200
62	TERMINAL CONNECTOR LUG COMPRESSOR R35/R40	LUG00011
62	TERMINAL CONNECTOR LUG COMPRESSOR R50/R60	LUG00004
64	JUNCTION BOX COVER GASKET COMPRESSOR R35/R40	GKT00988
64	JUNCTION BOX COVER GASKET COMPRESSOR R50/R60	GKT00989
68	PRESSURE DIFFERENTIAL CONTROL 15 PSI OPEN/ 19 PSI CLOSE	CNT05044
69	ADAPTER	ADP00012
70	JUNCTION BOX COVER GASKET COMPRESSOR R35/R40	KIT06337
70	JUNCTION BOX COVER GASKET COMPRESSOR R50/R60	KIT06659

Revision kits



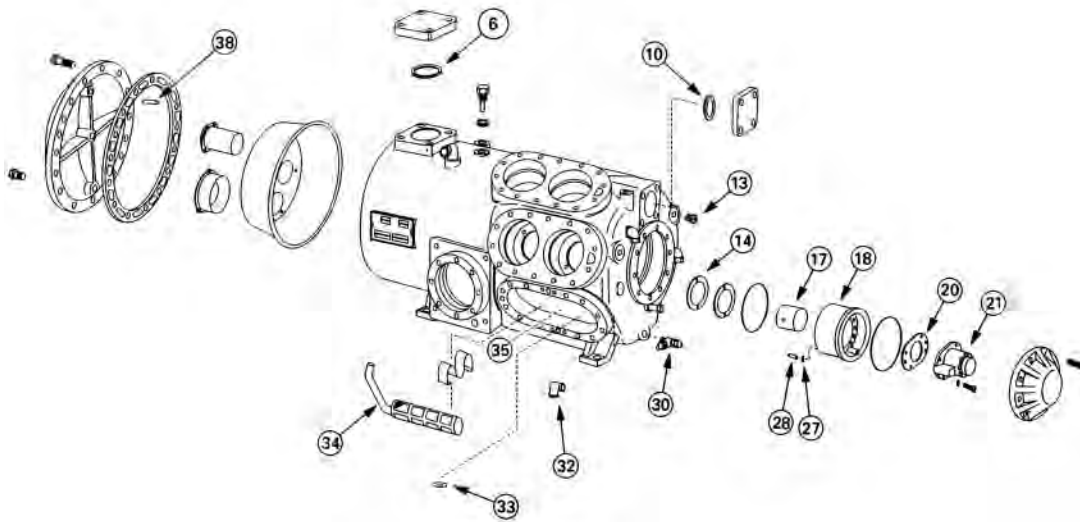
Kit description	Action	Compressor Type	Ordering number
15 000 Hours top overhaul kit	Valve replacement	CRHR350/400	KIT0892E
30 000 Hours major overhaul kit	Compressor maintenance	CRHR350/400	KIT0891E
Full overhaul kit	-	CRHR350	KIT0902E
Full overhaul kit	-	CRHR400	KIT0890E
15 000 Hours top overhaul kit	Valve replacement	CRHR500/600	KIT0404E
30 000 Hours major overhaul kit	Compressor maintenance	CRHR500/600	KIT0405E
Full overhaul kit	-	CRHR500	KIT0903E
Full overhaul kit	-	CRHR600	KIT0406E

General assembly



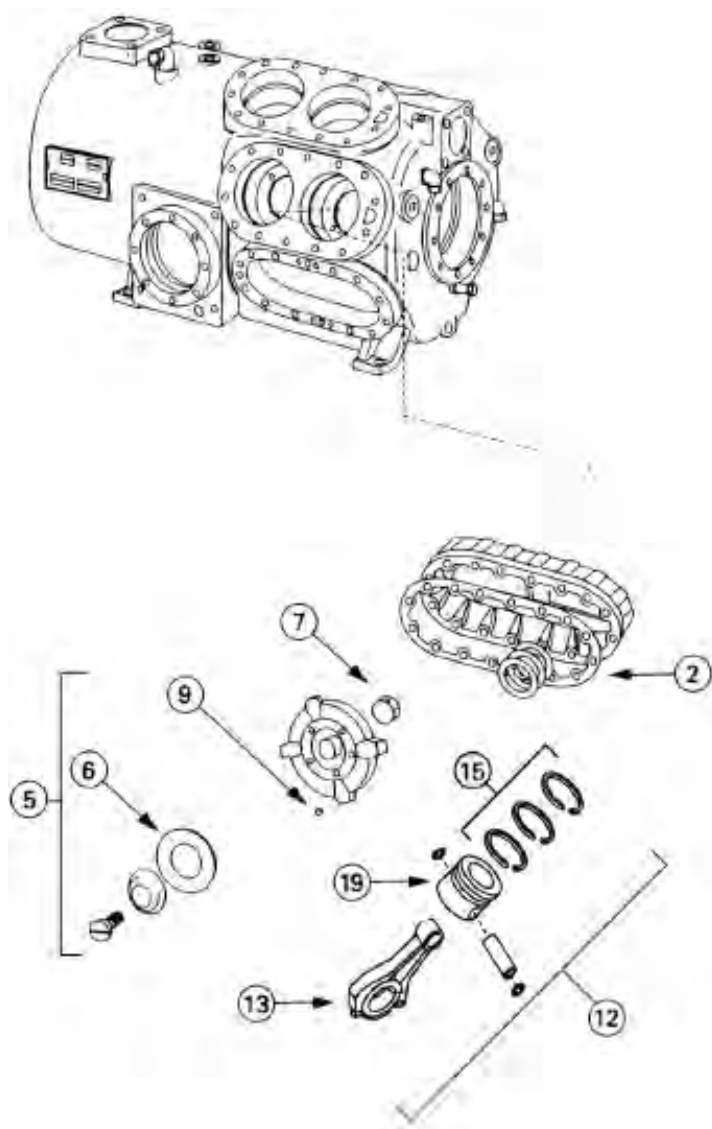
Item	Part description	Ordering number
9	CONNECTING ROD/PISTON/RINGS CRHZ200-300	ROD0002Z
9	CONNECTING ROD/PISTON/RINGS CRHZ250-400	ROD0003Z
119	VALVE PLATE COMPLETE CRHZ150	PLT0017Z
119	VALVE PLATE COMPLETE CRHZ154-256	PLT0005Z
119	VALVE PLATE COMPLETE CRHZ200-300	PLT0006Z
119	VALVE PLATE COMPLETE CRHZ250-400	PLT0007Z
171	KIT OF 21 GASKETS CRHZ154	GKT0016Z
171	KIT OF 21 GASKETS CRHZ200	GKT0017Z
171	KIT OF 21 GASKETS CRHZ300	GKT0018Z
171	KIT OF 21 GASKETS CRHZ400	GKT0037Z
251	KIT CYLINDER HEAD - 2 STAGES	HD0005Z
252	CYLINDER HEAD GASKET CRHZ154 TO 400	GKT0034Z
256	CAPACITY REGULATOR CLIP	ASS0150Z
260	CAPACITY REGULATOR PISTON	ASS0150Z
261	CAPACITY REGULATOR GASKET	ASS0150Z
265	2 WAYS SOLENOID VALVE	VAL0008Z
266	SOLENOID VALVE GASKET	GKT0035Z
277	SOLENOID VALVE COIL 200/50/3	COL0002Z
283	ELECTRIC CONNECTOR	CON0006Z
*	OIL PUMP	PMP0001Z
*	OIL PUMP GASKET	GKT0002Z
*	CRANCKASE HEATER 140W CRHZ 150 TO 400	HTR0001Z
*	MOTOR PROTECTION DEVICE	CNT0002Z
*	DRAIN VALVE	VAL0017Z
*	STATOR ROTOR 15KW 400V/50HZ/3 CRHZ150-154	MOT0001Z
*	STATOR ROTOR 18,5KW 400V/50HZ/3 CRHZ200	MOT0002Z
*	STATOR ROTOR 22KW 400V/50HZ/3 CRHZ250	MOT0003Z
*	STATOR ROTOR 26KW 400V/50HZ/3 CRHZ300	MOT0004Z
*	STATOR ROTOR 30KW 400V/50HZ/3 CRHZ400	MOT0005Z

General assembly



Item	Part description	Ordering number
6	GASKET SERVICE VALVE	GKT03670
7	STRAINER SUCTION GAS	SRA00149
10	GASKET SERVICE VALVE	GKT03660
13	VALVE RELIEF 385 PSI	VAL06711
14	BEARING THRUST	BRG00046
17	BEARING	BRG00066
18	BEARING END PUMP	BRG01174
20	GASKET OIL PUMP	GKT02719
21	OIL PUMP	PMP00009
27	O-RING	RNG00069
28	VALVE	VAL00138
30	CHARGING VALVE	VAL00031
32	ADAPTER COMPRESSION ELBOW	ADP00082
33	MAGNET COVER	MAG00015
34	STRAINER	SRA00033
35	OIL LINE KIT COMPRESSOR E4	KIT00139
35	OIL LINE KIT COMPRESSOR E5	KIT00140
35	OIL LINE KIT COMPRESSOR E6	KIT00141
35	OIL LINE KIT COMPRESSOR E8	KIT00142
*	GASKET AND O-RING KIT MODEL E OPEN	KIT02065
*	GASKET AND O-RING KIT MODEL E SEMI-HERMETIC, A TO L DESIGN	KIT02066
*	GASKET AND O-RING KIT MODEL E SEMI-HERMETIC, M DESIGN	KIT02067
*	SEAL SHAFT FOR OPEN COMPRESSOR E6 E8, A TO G DESIGN	SEL00022
*	SEAL SHAFT FOR OPEN COMPRESSOR E6 E8, G DESIGN	SEL00193
*	CRANKCASE HEATER	HTR01566
*	SERVICE VALVE 2" 1/8	VAL00009
*	SERVICE VALVE 2" 5/8	VAL00035
*	SERVICE VALVE 3" 1/8	VAL00043
*	SERVICE VALVE 4" 1/8	VAL00042
*	SET OF MOUNTING ISOLATOR	MNT0105E
*	SUCTION FILTER	SRN00004
*	OIL FILTER	FLR00046

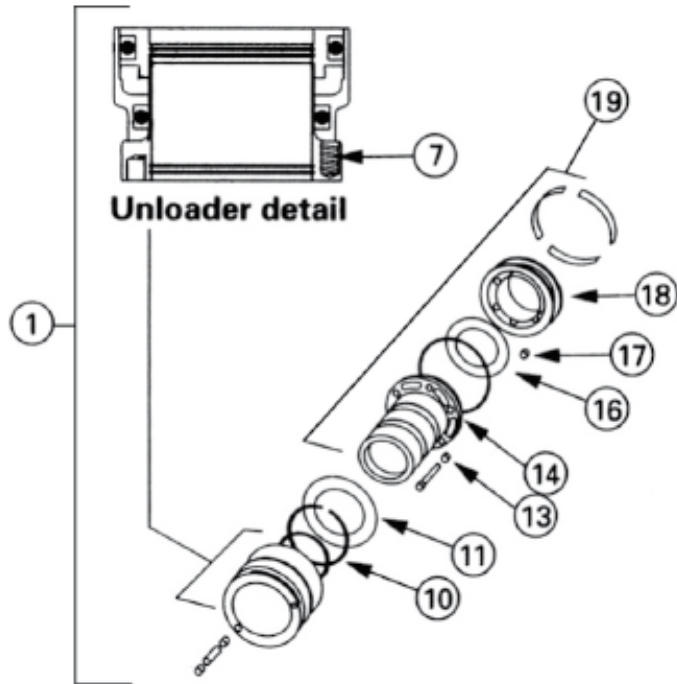
Discharge valve-piston and connecting rod assembly



Item	Part description	Ordering number
2	CYLINDER HEAD GASKET	GKT04138
5	DISCHARGE VALVE ASSY	VAL01090
6	DISCHARGE VALVE RING	RNG01252
7	NUT	NUT00970
9	DISCHARGE VALVE SPRING	SPG00277 (1)
12	PISTON AND CONNECTING ROD ASSY	PST00017
13	CONNECTING ROD	ROD00034
15	PISTON RING KIT	RNG00077
19	PISTON INCLUDING AXLE AND CLIPS	PST00018

(1): Set of 50 pieces

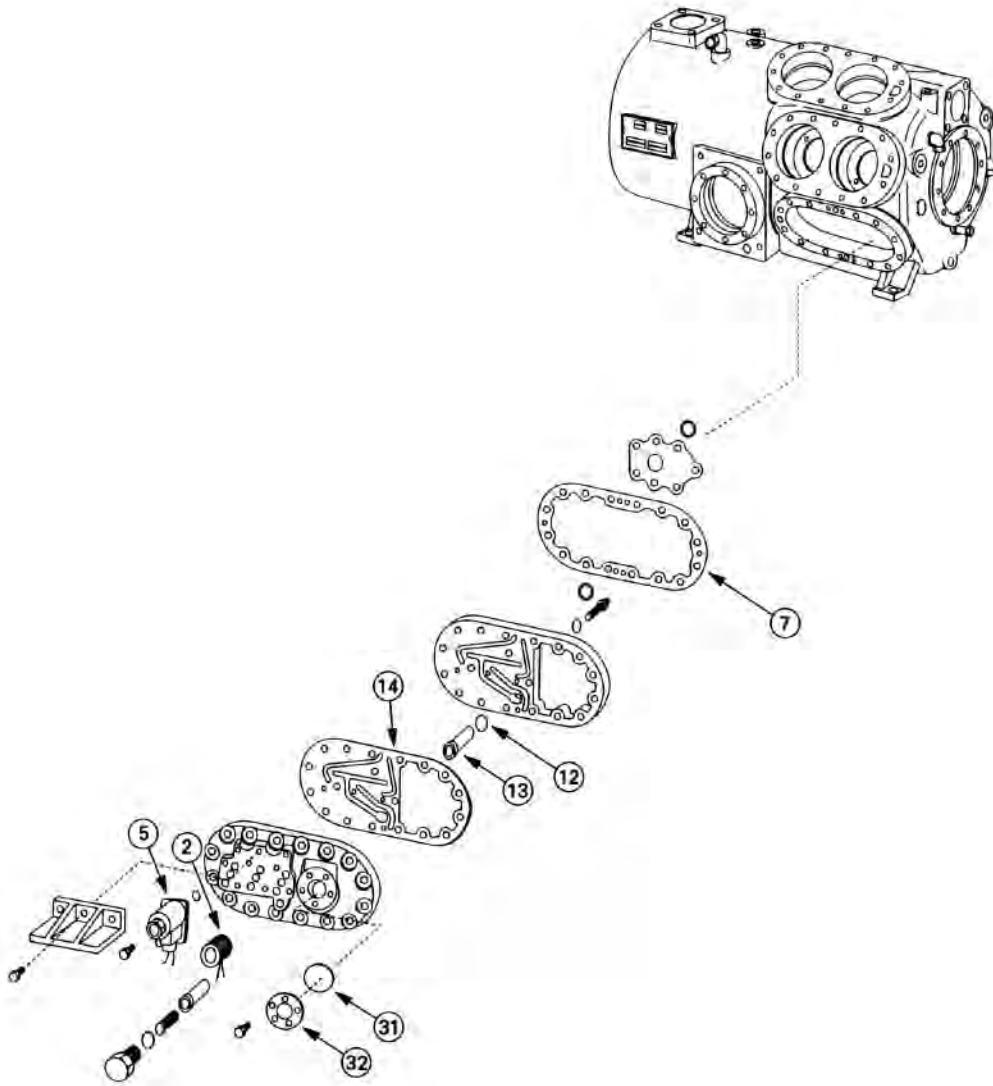
Cylinder liner assembly



Item	Part description	Ordering number
1	CYLINDER LINER ASSY WITH UNLOADER	LNRO0034
7	UNLOADER PISTON SPRING	SPG00278 (1)
10	RETAINING RING	RNG00229
11	TAKE UP RING	RNG00088
13	UNLOADER LIFT PIN SPRING	SPG00282 (1)
14	CYLINDER LINER	LNRO0036
16	SUCTION VALVE	VAL01091
17	SUCTION VALVE SPRING	SPG00276 (1)
18	SUCTION VALVE PLATE	PLT00500
19	CYLINDER LINER ASSY	LNRO0033
*	CYLINDER O-RING KIT (QTY 1 PER CYLINDER)	KIT00180
*	O-RING -SUCTION VALVE PLATE	RNG00065

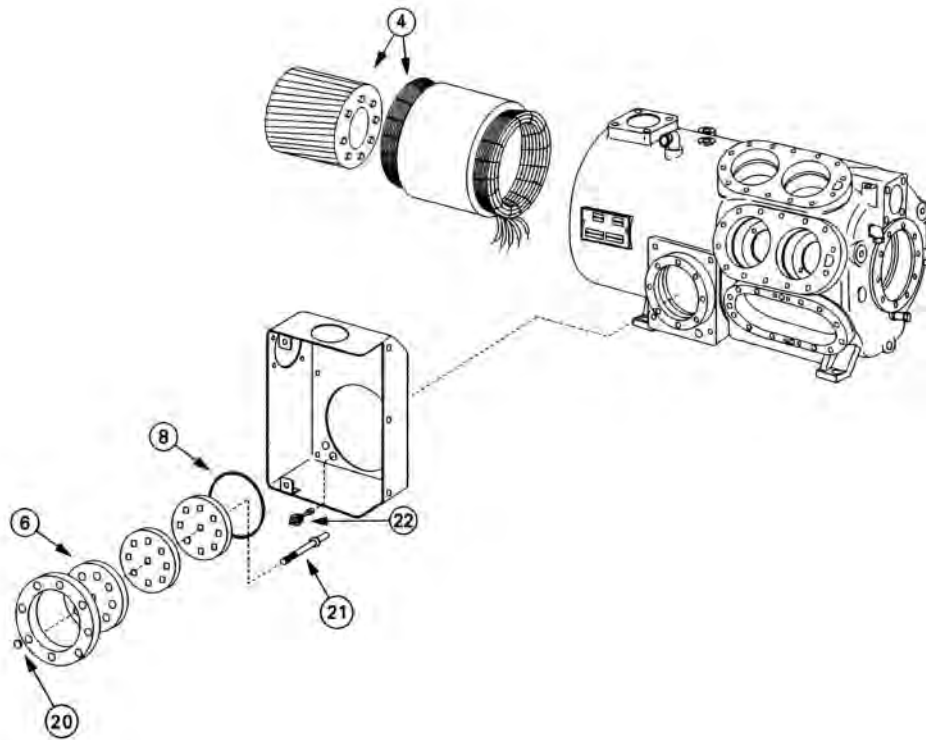
(1): Set of 50 pieces

Control handhole cover suction and solenoid valve



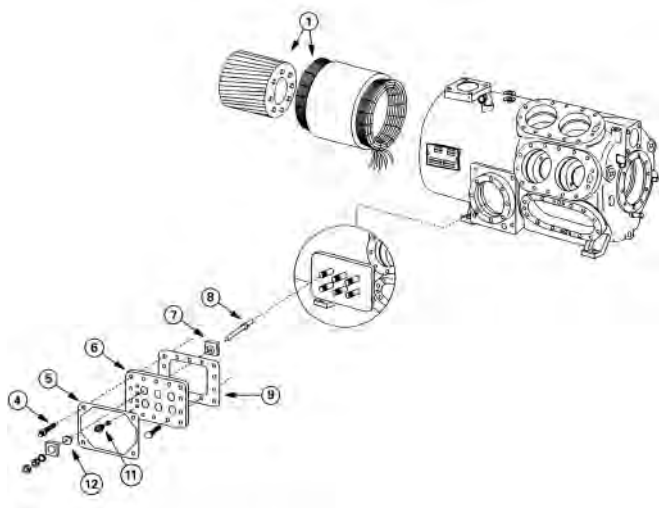
Item	Part description	Ordering number
2	COIL HOLDING 115V 50/60HZ	COL03780
2	COIL HOLDING 220V 50/60HZ	COL01639
5	3 WAY SOLENOID VALVE	VAL05774
7	HANDHOLE COVER GASKET	GKT04140
12	O-RING	RNG00052
13	COVER	COV00004
14	DISTRIBUTOR GASKET	GKT02686
17	DISTRIBUTOR GASKET	GKT02721
21	CAPACITY CONTROL ASSY	CNT00004
31	O-RING	RNG00207
32	SIGHT GLASS	GLS00034
*	STRAINER HANDLE COVER	SRN00002

Junction box and motor compressor design A to L



Item	Part description	Ordering number
4	REWINDING STATOR ROTOR - 37 KW - 397/50/3 - COMPRESSOR E4	MOT0179R
4	REWINDING STATOR ROTOR - 37KW - 230/50/3 - COMPRESSOR E4	MOT0180R
4	REWINDING STATOR ROTOR - 44 KW - 397/50/3 - COMPRESSOR E5	MOT0181R
4	REWINDING STATOR ROTOR - 44KW - 230/50/3 COMPRESSOR E5	MOT0182R
4	STATOR ROTOR 55KW - 397/50/3 - COMPRESSOR E6	MOT0183E
4	REWINDING STATOR ROTOR - 55KW - 230/50/3 COMPRESSOR E6	MOT0184R
4	STATOR ROTOR 74KW - 397/50/3 - COMPRESSOR E8	MOT0185E
4	REWINDING STATOR ROTOR - 740KW - 230/50/3 COMPRESSOR E8	MOT0186R
6	TERMINAL PLATE	PLT00216
8	O-RING	RNG01433
20	O-RING	RNG0021E
21	TERMINAL STUD	TER0001E
22	TERMINAL HERMETIC	TER00008
*	O-RING BETWEEN SCREW STATOR AND CASING	RNG00133
*	GASKET SUCTION COVER	GKT04141

Junction box and motor compressor design M



Item	Part description	Ordering number
1	STATOR ROTOR 55,0KW 397/50/3 COMPRESSOR E6	MOT0608E
1	STATOR ROTOR 75,0KW 397/50/3 COMPRESSOR E8	MOT0613E
4	TERMINAL STUD	STU00140
5	JUNCTION BOX GASKET	GKT02768
6	TERMINAL PLATE	PLT00970
7	TERMINAL STUD INSULATION O-RING	RNG01651
7	TERMINAL STUD INSULATION INSULATOR	INS02690
7	TERMINAL STUD INSULATION INSULATOR	INS02691
7	TERMINAL STUD INSULATION NUT	NUT00891
7	TERMINAL STUD INSULATION WASHER	WAS00582
8	TERMINAL STUD	TER00010
9	TERMINAL PLATE GASKET	GKT03669
11	TERMINAL HERMETIC	TER00008
12	TERMINAL STUD SEAL	RNG01651
*	O-RING BETWEEN SCREW STATOR AND CASING	RNG00133
*	GASKET SUCTION COVER	GKT02702

Revision kits

Kit description	Action	Compressor type	Ordering number
15 000 Hours top overhaul kit	Valve replacement	L2E61/CRHE750	KIT0401E
30 000 Hours major overhaul kit	Compressor maintenance	L2E61/CRHE750	KIT0402E
Full overhaul kit	-	L2E61/CRHE750	KIT0403E
15 000 Hours top overhaul kit	Valve replacement	L2E81/CRHE1C0	KIT0407E
30 000 Hours major overhaul kit	Compressor maintenance	L2E81/CRHE1C0	KIT0408E
Full overhaul kit	-	L2E81/CRHE1C0	KIT0409E

SIRCO/FUSERBLOC (400V maxi - 3 phases)



Model number	Fuse dimensions and quantity required	Rating (Amps)	Type	Ordering number
26033006 + 29990012	-	63	SIRCO	SWT0216E
26033008 + 29990012	-	80	SIRCO	SWT0217E
26033010 + 29990012	-	100	SIRCO	SWT0218E
260 R3013	-	125	SIRCO	SWT0175E
260 R3016	-	160	SIRCO	SWT0219E
260 R3025	-	250	SIRCO	SWT0176E
260 R3040	-	400	SIRCO	SWT0177E
260 R3063	-	630	SIRCO	SWT0179E
260 R3080	-	800	SIRCO	SWT0180E
260 R3100	-	1000	SIRCO	SWT0086E
260 R3120	-	1250	SIRCO	SWT0081E
36 T43005	Cartridge 14 X 51	50	FUSERBLOC	SWT0223E
361 R3012	Size 0 (x3)	125	FUSERBLOC	SWT0206E
36 T43016	Size 0 (x3)	160	FUSERBLOC	SWT0207E
36 T39626	Size 1 (x3)	250	FUSERBLOC	SWT0226E
36 T43039	Size 2 (x3)	400	FUSERBLOC	SWT0204E

OT (400V maxi - 3 phases)



Model number	Rating (Amps)	Ordering number
OT32 ET3	32	SWT0222E
OT63 ET3	63	SWT0231E
OT80 ET3	80	SWT0232E
OT125 ET3	125	SWT0233E

Isolating fuses



Model number	Packaging	Fuse size	Set point (Amps)	Ordering number
66010016	Set of 3 fuse	0	16	FUS0145E
66010032	Set of 3 fuse	0	32	FUS0137E
66930040	Set of 3 fuse	0	40	FUS0144E
66010050	Set of 3fuse	0	50	FUS0139E
66930063	Set of 3 fuse	0	63	FUS0119E
66930080	Set of 3 fuse	0	80	FUS0135E
66930100	Set of 3 fuse	0	100	FUS0118E
67030125	Set of 3 fuse	0	125	FUS0117E
66930125	Set of 3 fuse	0	125	FUS0124E
67030160	Set of 3 fuse	0	160	FUS0115E
67130160	Set of 3 fuse	1	160	FUS0148E
67230160	Set of 3 fuse	2	160	FUS0129E
66930160	Set of 3 fuse	0	160	FUS0142E
67130200	Set of 3 fuse	1	200	FUS0141E
67230200	Set of 3 fuse	2	200	FUS0113E
67230250	Set of 3 fuse	2	250	FUS0111E
67130250	Set of 3 fuse	1	250	FUS0149E
67230315	Set of 3 fuse	2	315	FUS0140E
67230400	Set of 3 fuse	2	400	FUS0127E
67230500	Set of 3 fuse	2	500	FUS0150E
67330500	Set of 3 fuse	3	500	FUS0136E
67330630	Set of 3 fuse	3	630	FUS0128E
67470630	1	4	630	FUS0095E
67470800	1	4	800	FUS0098E
67471000	1	4	1000	FUS0099E
67471200	1	4	1250	FUS0100E

Fuse type: Time delay

Fuse cartridge

Reference	Type	Set point (Amps)	Packaging	Dimensions (Diameter x Length)	Ordering number
DF2EA40	AM	40.0	1	14.0 x 51.0	FUS0172E
60230040	AM	40.0	10	14.0 x 51.0	FUS0108E
60230025	AM	25.0	10	14.0 x 51.0	FUS0109E
60330063	AM	63.0	10	22.0 x 58.0	FUS0116E
60130010	AM	10.0	10	10.3 x 38.0	FUS0122E
60120006	GG	6.0	10	10.3 x 38.0	FUS0155E
60120008	GG	8.0	10	10.3 x 38.0	FUS0156E
60120010	GG	10.0	10	10.3 x 38.0	FUS0157E
ORBI 653750	F	2.0	10	5.0 x 20.0	FUS0165E
ORBI 654810	FA	8.0	10	6.3 x 31.5	FUS0167E

LA2/RE8



Type	Setting range	Power Supply	Ordering number
RE8RA21FUTQ	3-300s	220/240V-50/60HZ	TMR0040E
LA2DT2	0.1s-1mn	24V-AC/DC	TMR0047E

ODM/PDM/D6D/STE2



Type	Setting range	Power supply	Ordering number
ODM1	0.1s-10h	230-24V/50-60HZ	TMR0026E
PDM10	0.1s-10h	220V/50-60HZ	TMR0029E
PDM20	15s-640mn	220V/50-60HZ	TMR0030E
D6DET	0.1s-10h	24/240V AC	TMR0016E
STE2	0.1s-1s	220-230/50-60	TMR0039E

EAC



Type	Setting range	Power supply	Ordering number
EAC426/4.300	0-5 mn	24V/50-60HZ	TMR0044E

TP Pneumatic timer



Type	Supplier Ref	Setting range	Ordering number
Pneumatic timer	TP180IA	10/180 s	TMR0025E

GV Circuit breakers (380V/400V-3 Phases)



Type	Setting range (A)	Ordering number
GV1 ME06	1-1.6	BKR0040E
GV2 ME05	0.63-1.0	BKR0082E
GV2 ME07	1.6-2.5	BKR0105E
GV2 ME08	2.5-4	BKR0103E
GV2 ME10	4-6.3	BKR0104E
GV2 ME14	6-10	BKR0106E
GV2 ME16	9-14	BKR0126E
GV2 ME20	13-18	BKR0128E
GV2 ME21	17-23	BKR0129E
GV2 ME32	24-32	BKR0127E
GV3 ME40	25-40	BKR0125E
GV3 M63	40-63	BKR0044E
GV3 ME80	56-80	BKR0142E
GV3 P50	37-50	BKR0141E
GV3 P65	48-65	BKR0140E

MS (380V/400V-3 Phases)



Type	Setting range (Amp)	Ordering number
MS 225 2.5A	1.6-2.5	BKR0076E
MS 225 4A	2.5-4.0	BKR0077E
MS 225 6.3A	4.0-6.3	BKR0078E
MS 225 12.5A	9.0-12.5	BKR0062E
MS 225 16A	12.5-16.0	BKR0063E
MS 225 20A	16.0-20.0	BKR0064E
MS 225 25A	20.0-25.0	BKR0065E
MS 325 1A	0.63-1.0	BKR0088E
MS 325 1.6A	1.0-1.6	BKR0089E
MS 325 2.5A	1.6-2.5	BKR0090E
MS 325 4A	2.4-4.0	BKR0091E
MS 325 6.3A	4.0-6.3	BKR0092E
MS 325 9A	6.3-9.0	BKR0093E
MS 325 12.5	9.0-12.5	BKR0094E
MS 325 16A	12.5-16A	BKR0095E
MS 325 20A	16.0-20.0	BKR0096E
MS 325 25A	20.0-25.0	BKR0097E

C60 - 2 Phases

Type	Rating (A)	Curve (1)	Ordering number
C60H	4	C	BKR0146E
C60H	6	C	BKR0143E
C60H	10	C	BKR0144E
C60N	16	C	BKR0084E
C60N	4	D	BKR0108E
C60N	3	D	BKR0109E
C60N	6	C	BKR0111E
C60N	2	D	BKR0112E
C60N	10	D	BKR0118E
C60N	6	D	BKR0120E
C60N	4	C	BKR0121E
C60N	10	C	BKR0134E

(1) C Curve : cables feeding conventional loads

D Curve : loads with a high inrush current (motors, transformers)

S252 - 2 Phases

Type	Rating (A)	Curve (1)	Ordering number
S252	6	C	BKR0023E
S252	10	C	BKR0025E
S252	16	C	BKR0056E
S252	25	C	BKR0057E
S252	2	D	BKR0046E
S252	3	D	BKR0029E
S252	4	D	BKR0101E
S252	6	D	BKR0059E
S252	10	D	BKR0060E
S252	16	D	BKR0027E
S252	20	D	BKR0072E

(1) C Curve : cables feeding conventional loads

D Curve : loads with a high inrush current (motors, transformers)

LR



Type	Used on	Setting range (A)	Ordering number
LR2 D1307	LC1 D09	1.6-2.5	RLY0184E
LR2 D1308	LC1 D09	2.5-4.0	RLY0107E
LR2 D1310	LC1 D09	4.0-6.0	RLY0110E
LR2 D1312	LC1 D09	5.5-8.0	RLY0106E
LR2 D1314	LC1 D12	7.0-10.0	RLY0108E
LR2 D1316	LC1 D12	9.0-13.0	RLY0114E
LR2 D1321	LC1 D18	12.0-18.0	RLY0112E
LR2 D1322	LC1 D25	17.0-25.0	RLY0102E
LR2 D2353	LC1 D32	23.0-32.0	RLY0109E
LR2 D3355	LC1 D40	30.0-40.0	RLY0105E
LR2 D3357	LC1 D50	37.0-50.0	RLY0101E
LR2 D3359	LC1 D65	48.0-65.0	RLY0111E
LR2 D3361	LC1 D80	55.0-70.0	RLY0113E
LR2 D3363	LC1 D80	63.0-80.0	RLY0142E
LR2 D3365	LC1 D95	80.0-93.0	RLY0226E
LR9 F5367	LC1 F115	60.0-100.0	RLY0156E

OVERLOAD RELAYS

TA



Type	Contactor size	Range of control	Ordering number
TA 25 DU 2.4	A9-A40	1.6-2.4	RLY0336E
TA25 DU 3.1	A9-A40	2.2-3.1	RLY0337E
TA 25 DU 4	A9-A40	2.8-4.0	RLY0338E
TA 25 DU 5	A9-A40	3.5-5.0	RLY0292E
TA 25 DU 6.5	A9-A40	4.0-6.5	RLY0212E
TA 25 DU 8.5	A9-A40	6.0-8.5	RLY0293E
TA 25 DU 11	A9-A40	7.5-11.0	RLY0294E
TA 25 DU 14	A9-A40	10.0-14.0	RLY0295E
TA 25 DU 19	A9-A40	13.0-19.0	RLY0296E
TA 25 DU 25	A9-A40	18.0-25.0	RLY0297E
TA 25 DU 32	A9-A40	25.0-32.0	RLY0298E
TA 75 DU 32	A50-A75	25.0-32.0	RLY0299E
TA 75 DU 42	A50-A75	29.0-42.0	RLY0300E
TA 75 DU 52	A50-A75	36.0-52.0	RLY0301E
TA 75 DU 63	A50-A75	45.0-63.0	RLY0302E
TA 75 DU 80	A50-A75	60.0-80.0	RLY0303E
TA 80 DU 80	A95-A110	60.0-80.0	RLY0304E
TA 110 DU 90	A95-A110	65.0-110.0	RLY0306E
TA 110 DU 110	A95-A110	80.0-110.0	RLY0307E
T 135 DU 135	A110-EH145	100.0-135.0	RLY0237E
T 200 DU 135	A110-EH145	100.0-135.0	RLY0238E
T 200 DU 150	A110-EH145	110.0-150.0	RLY0239E

CONTACTORS

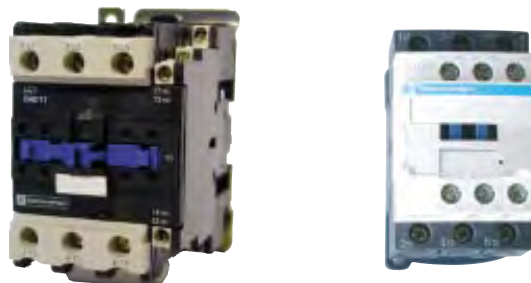
A/AF/B



Model number	Amps (A)	Type of contact (1)	Coil power supply (V)	Packaging (Pcs)	Ordering number
A 9 30 01	9	1O	230	1	CTR0271E
A 9 30 01	9	1O	110	1	CTR0259E
A 9 30 10	9	1F	230	1	CTR0266E
A 9 30 10	9	1F	110	1	CTR0255E
A 9 30 10	9	1F	24	10	CTR0141E
A 12 30 01	12	1O	230	1	CTR0278E
A 12 30 10	12	1F	230	1	CTR0267E
A 12 30 10	12	1F	110	1	CTR0256E
A 12 30 10	12	1F	24	1	CTR0140E
A 16 30 10	16	1F	230	10	CTR0268E
A 16 30 10	16	1F	24	1	CTR0139E
A 16 30 01	17	1O	230 (50-60 Hz)	1	CTR0279E
A 16 30 10	17	1F	110 (50-60 Hz)	1	CTR0213E
A 26 30 10	26	1F	230	5	CTR0269E
A 26 30 10	26	1F	110	1	CTR0257E
A 26 30 10	26	1F	24	1	CTR0185E
A 30 30 00	30	1F	110	1	CTR0258E
A 30 30 10	30	1F	24	1	CTR0209E
A 30 30 10	32	1F	230	1	CTR0270E
A 40 30 10	37	1F	230	1	CTR0275E
A 40 30 10	37	1F	110	1	CTR0263E
A 50 30 00	50	-	230	1	CTR0272E
A 50 30 00	50	-	110	1	CTR0260E
A 50 30 00	50	-	24	1	CTR0210E
A 63 30 00	65	-	230	1	CTR0273E
A 63 30 00	63	-	110	1	CTR0261E
A 75 30 00	75	-	230	1	CTR0274E
A 75 30 00	75	-	110	1	CTR0262E
A 95 30 00	95	-	230	1	CTR0276E
A 95 30 11	95	-	110	1	CTR0251E
A 110 30 00	110	-	230	1	CTR0277E
A 110 30 11	110	-	110	1	CTR0252E
A 145 30 11	145	1F/1O	230	1	CTR0329E
A 145 30 11	145	1F/1O	110	1	CTR0336E
A 185 30 11	185	1F/1O	230	1	CTR0333E
A 185 30 11	185	1F/1O	110	1	CTR0337E
A 210 30 11	210	1F/1O	230	1	CTR0334E
A 210 30 11	210	1F/1O	110	1	CTR0338E
A 300 30 11	300	1F/1O	230	1	CTR0335E
A 300 30 11	300	1F/1O	110	1	CTR0339E
AF 400 30 11	400	1F/1O	110/230	1	CTR0330E
AF 580 30 11	580	1F/1O	110/230	1	CTR0340E
AF 750 30 11	700	1F/1O	110/230	1	CTR0331E
B 6 30 01	9	1O	230 (50-60 Hz)	1	CTR0250E
B 6 30 10	9	1F	24 (50-60 hz)	1	CTR0184E
B 6 30 10	9	1F	230 (50-60 hz)	1	CTR0206E
B 6 30 10	9	1F	24	1	CTR0207E
B 7 30 10	12	1F	24 (50-60 Hz)	1	CTR0247E

CONTACTORS

LC1/LP1



Model number	Coil power supply (V)	Amps (A)	Frequency (Hz)	Type of contact (1)	Ordering number
LC1 D0910 B7	24	9	50/60	1F/1O	CTR0088E
LC1 D1210 B7	24	12	50-60	1F/1O	CTR0085E
LC1 D1810 B7	24	18	50-60	1F/1O	CTR0086E
LC1 D2510 B7	24	25	50-60	1F/1O	CTR0087E
LC1 D32 B7	24	32	50-60	1F/1O	CTR0328E
LC1 D09P7	220	9	50	1F/1O	CTR0166E
LC1D25P7	220	25	50	1F/1O	CTR0058E
LC1 D40P7	220	40	50	1F/1O	CTR0059E
LC1 D50P7	220	50	50	1F/1O	CTR0082E
LC1 D65P7	220	65	50	1F/1O	CTR0057E
LC1 D80P7	220	80	50	1F/1O	CTR0083E
LC1 D0910 F7	110	9	50-60	1F/1O	CTR0283E
LC1 D1210 F7	110	12	50-60	1F/1O	CTR0284E
LC1 D1801 F7	110	18	50-60	1F/1O	CTR0285E
LC1 D2510 F7	110	25	50-60	1F/1O	CTR0286E
LC1 D3210 F7	110	32	50-60	1F/1O	CTR0287E
LC1 D4011 F7	110	40	50-60	1F/1O	CTR0288E
LC1 D5011 F7	110	50	50-60	1F/1O	CTR0289E
LC1 D6511 F7	110	65	50-60	1F/1O	CTR0290E
LC1 D8011 F7	110	80	50-60	1F/1O	CTR0291E
LC1 D9511 F7	110	95	50-60	1F/1O	CTR0292E
LC1 D115 F7	110	115	50-60	-	CTR0343E
LC1 D150 F7	110	150	50-60	-	CTR0344E
LC1 D40 B7	24	40	50	1F/1O	CTR0345E
LC1 D50 B7	24	50	50	1F/1O	CTR0346E
LC1 D65 B7	24	65	50	1F/1O	CTR0347E
LC1 K0910 B7	24	9	50	1O	CTR0348E
LC1 K1210 B7	24	12	50	1O	CTR0349E
LC1 D1210 M7	220	12	50-60	1F/1O	CTR0061E
LC1 D1810 M7	220	18	50-60	1F/1O	CTR0062E
LC1 D 3210 M7	220	32	50-60	1F/1O	CTR0171E
LC1 D9511 M7	220	95	50-60	1F/1O	CTR0186E
LC1 D38 P7	230	38	50-60	-	CTR0320E
LC1 K0601 P7	230	6	50-60	1O	CTR0318E
LC1 K09107 P7	110	9	50-60	1F	CTR0326E
LC1 K1210 P7	230	12	50-60	1F	CTR0341E
LC1 F115	Without (2)	115	50	-	CTR0113E
LC1 F150	Without (2)	150	-	-	CTR0188E
LC1 F185	110	185	40-400	-	CTR0295E
LC1 F225	110	225	40-400	-	CTR0296E
LC1 F265	110	265	40-400	-	CTR0297E
LC1 F330	110	330	40-400	-	CTR0298E
LC1 F400	Without (2)	400	-	-	CTR0162E
LC1 F500	Without (2)	500	-	-	CTR0221E
LC1 F630	Without (2)	630	-	-	CTR0222E
LC1 K0610 B7	24	6	50-60	1F	CTR0322E
LP1 K0610 BD	24	6	-	1F	CTR0323E
LP1 K0910 BD	24	9	-	1O	CTR0327E
LC1 D40AB7	24	40	50-60	1F/1O	CTR0360E
LC1 D50AB7	24	50	50-60	1F/1O	CTR0361E
LC1 D65AB7	24	65	50-60	1F/1O	CTR0362E
LC1 D40AF7	110	40	50-60	1F/1O	CTR0356E
LC1 D50AF7	110	50	50-60	1F/1O	CTR0354E
LC1 D65AF7	110	65	50-60	1F/1O	CTR0355E
LC1 D40AP7	220	40	50-60	1F/1O	CTR0357E
LC1 D50AP7	220	50	50-60	1F/1O	CTR0358E
LC1 D65AP7	220	65	50-60	1F/1O	CTR0359E

(1) 1F = Normally opened 1O = Normally closed

LC1 Micro-contactors 3 phases



Model number	Amps (A)	Type of contact (1)	Coil power supply (V)	Ordering number
LC1 K0601 F7	6	10	110	CTR0254E
LC1 K0610 F7	6	1F	110	CTR0253E
LC1 K0901 F7	9	10	110	CTR0243E
LC1 K0910 F7	9	1F	110	CTR0242E
LC1 K0901 M7	9	10	230	CTR0244E
LC1 K0910 M7	9	1F	230	CTR0241E

Coils for LC1 contactors



Model number	Used on	Coil power supply (V)	Ordering number
LX1 FF110	LC1 F115/150	110	COL0165E
LX1 FF220	LC1 F115/150	230	COL0079E
LX1 FG110	LC1 F185/225	110	COL0166E
LX1 FG220	LC1 F185/225	230	COL0080E
LX1 FH110	LC1 F265/330	110	COL0168E
LX1 FH220	LC1 F265/330	230	COL0094E
LX1 FJ110	LC1 F400	110	COL0183E
LX1 FJ220	LC1 F400	230	COL0092E
LX1 FK110	LC1 F500	110	COL0184E
LX1 FK220	LC1 F500	230	COL0091E
LX1 FL110	LC1 F630	110	COL0185E
LX1 FL220	LC1 F630	230	COL0181E

LA/LU/CA/GV/HK



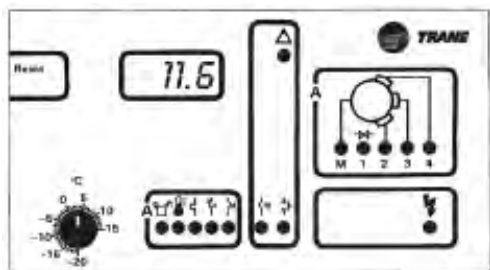
Type	Used on	Type of contacts	Ordering number
LA1 DN01	-	1F	CTC0058E
LA1 DN04	LC1 D 9-80AMP	4O	CTC0029E
LA1 DN10	-	1O	CTC0059E
LA1 DN11	LC1 9-80AMP	1F/1O	CTC0011E
LA1 DN22	LC1 D 9-80AMP	2F/2O	CTC0014E
LA1 DN31	LC1 D 9-80AMP	3F/1O	CTC0042E
LA1 F131	LC1 F 115-500AMP	1F/3O	CTC0023E
LA1 F311	LC1 F 115-500AMP	3F/1O	CTC0022E
LA8 DN11	-	1F/1O	CTC0060E
LA DN20	-	2F	CTC0066E
CA2 KN22M7	-	2O/2F	CTR0315E
CA2 KN	-	2O/2F	CTR0316E
CA 5-01	A9 - A111	1O	CTC0052E
CA 5-10	A9 - A110	1F	CTC0051E
CAL 5-11	A9 - A110	1F/1O	CTC0050E
CAL 18 11	A - AF	1F/1O	CTR0332E
GVAD 0110	-	-	CTC0075E
GVAE11	-	1F/1O	CTC0047E
GV1 A01	GV1 M01 A 22	1F/1O	CTC0035E
GV3 A01	-	1F/1O	CTC0073E
S250 S2H20	-	2F	CTC0036E
N31E	-	3O/1F	CTR0312E
HK20	-	2O	CTC0048E
HK4 11	-	-	CTC0055E
HKF11	-	-	CTC0056E
LUA1C11	-	1F/1O	CTC0074E

Electrical panel accessory



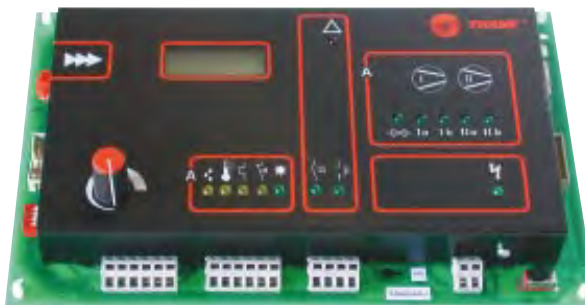
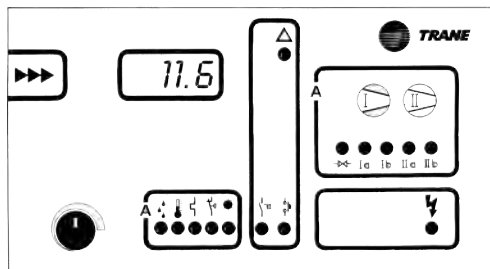
Type	Part description	Ordering number
Square key	8 mm - Black epoxy	KEY0031E

Reciprocating unit modules



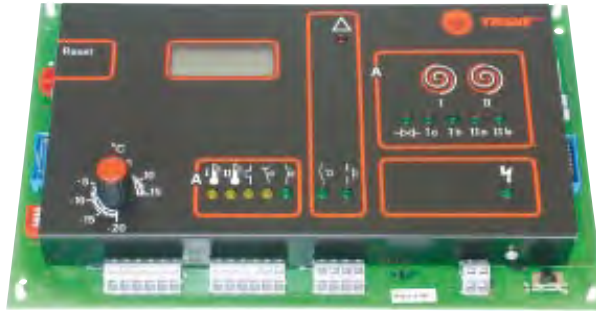
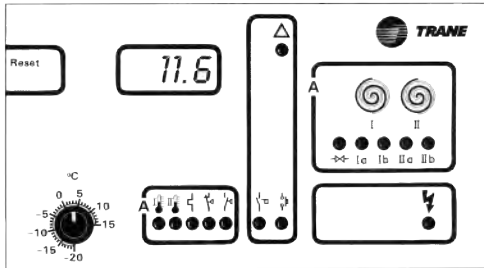
Model Number	Part description	Ordering number
X13740078001	Main card	RCM0001E
X13710081002	Relay card (5 relays)	RCM0002E
X13710079001	Auxilliary card (B circuit)	RCM0003E
X13740080001	Fan card	RCM0004E
X13740081002	Relay card (Fault only)	MOD0018E
X13740113001	TRM Card (chilled water reset)	MOD0001E
X13740096001	VGM card (supply module 0/10V)	RCM0006E
X13560351001	Voltage transformer 35VA primary 220-240V - Secondary 12V - 50-60HZ - Single phase	TRR0080E
X13540555001	Air Ambient sensor-length 2.5m	SEN0004E
X13540555002	Chilled water sensor-length 6.5m	SEN0006E
X13540555003	Chilled water sensor-length 15m	SEN0010E
X13540575001	Sensor for TRM Module	SEN0012E
FN660 3/06 HPF	Electronic filter	ELF0001E

Heat pump reciprocating unit modules



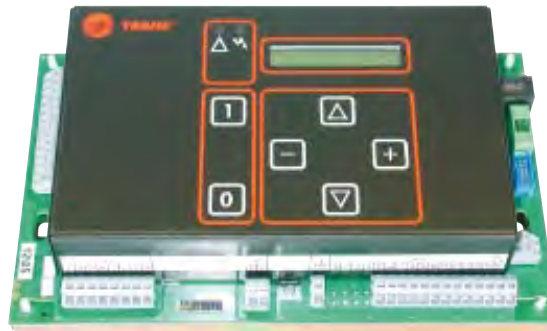
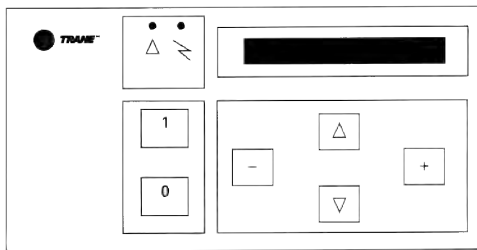
Model number	Part description	Ordering number
X13740094001	Main card	XCM0001E
X13710095001	Auxilliary card (B circuit)	XCM0002E
X13540555001	Air ambient sensor length 2.5m	SEN0004E
X13540555002	Chilled water sensor length 6.5m	SEN0006E
X13540555003	Chilled water sensor length 15m	SEN0010E

Scroll unit modules (First design)



Model number	Part description	Ordering number
X13740084001	Main card	SCM0001E
X13710085001	Auxilliary card (B circuit)	SCM0002E
X13540555001	Air ambient sensor length 2.5m	SEN0004E
X13540555002	Chilled water sensor length 6.5m	SEN0006E
X13540555003	Chilled water sensor length 15m	SEN0010E

Scroll unit modules (Second design)



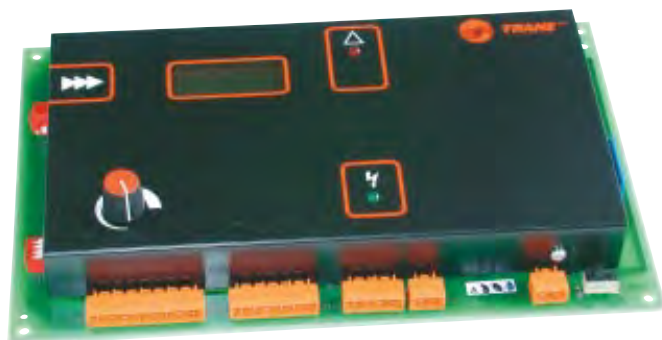
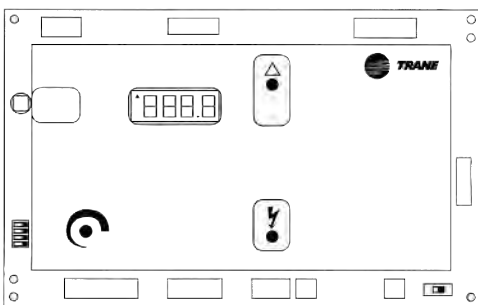
Model number	Part description	Ordering number
X13740162001	Main card	MOD0054E
X13740163001	Auxilliary card (B circuit)	MOD0055E
X13540857001	Chilled water sensor length 5.00m	SEN0037E
X13540573005	Temperature sensor length 6.00m	SEN0103E
X13740184001	Pressure transducer 0/40 bars -1/4 SAE cable 5m	TDR0009E
X13740190002	Pressure transducer 0/30 bars - 1/4SAE	TDR0014E
BCF-T-001	Sensor fitting	ADP0063E

Close control unit modules



Model number	Part description	Ordering number
MP1	Air temperature control module	MDA0016E
MP2	Air temperature control module	MDA0017E
MP20	Local display module	MOD0105E
MP20	Main module	BRD0071E
MP20	Local alarm module	BRD0072E
HP3	Humidity sensor	SEN0082E
MP1/MP2	Temperature + Humidity sensor	SEN0081E
MP3	Temperature sensor	SEN0077E

Microchiller modules (First design)



Model number	Part description	Ordering number
X13740120001	Main module	MOD0013E

Microchiller modules (second design)

Model number	Part description	Ordering number
-	Kit replacement microchiller card for μC^2 module	KIT1349E
-	Kit module 2nd compressor μC^2 with cable	KIT1358E
X13690169001	ON/OFF Fan module	CNT0165E
037-061-9-P	Control module unit μC^2 - Mini chiller Cairo unit	MOD0169E
037-062-9-P	Control module unit μC^2 - 2sd compressor - Mini chiller Cairo unit	MOD0170E
037-108-9-P	μC^2 module - additional card remote display - Mini chiller Cairo unit	MOD0171E
X13540573002	Temperature sensor -50°/+100°C - Dia 6mm - LG 53.0 - Fil lg 1.5M - IP68	SEN0051E

Scroll unit modules (Aquastream2)



Model number	Part description	Ordering number
*27201135042	Control module PC03 medium - Configured - version hard CEM	MOD0185E
*27201135041	Control module PC03 large - Configured - version hard CEM	MOD0184E
X13740213001	Communication card «LON» 2.0 version - PC03	BRD0117E
X27201278011	Configuration key - PC03 - PCOS00AKY0 - Version : hard 1.8 - BIOS 9.5	TOL0156E
X13540573001	Air ambient sensor for simplex and duplex unit	SEN0011E
X13540573001	Entering and leaving evaporator water sensor for simplex unit	SEN0011E
X13540573003	Entering and leaving evaporator water sensor for duplex unit	SEN0086E
X13540573004	Temperature sensor -50/+100°C - Dia 6mm - length 100 - Wire length 3M	SEN0102E
X13540573005	Temperature sensor -50/+100°C - Dia 6mm - length 100 - Wire length 6M	SEN0103E
X13740190001	Pressure transducer 0-30bars	TDR0014E
X17010301001	Adapter for stainless sensor mounting SEN0086E Dia 6.35mm	ADP0063E

Screw units modules

Model number	Description	Ordering number
X13650781002	Module local human interface LCD	MOD00942
X13651007001	Module interface TCI 4 - IPCB - COMM4	MOD01394
X13650364040	Module CSR - External communication link and chiller water reset	MOD01422
X13650475008	Module EXV - Electronic expansion valve regulation - Old generation	MOD01423
X13650804050	Module EXV - 2 electronic expansion valve regulation - New generation	MOD0116E
X13651077001	Module LCI-C - COMM5 - LON	MOD01540
X13650477130	Module MSCP - Compressor regulation	MOD01425
X13650476100	Module CPM - Unit regulation	MOD01424

Screw units - CH 530 control module



Model number	Part description	Ordering number
X13650827006	Dynaview module	MOD01490
X19140385001	Sensor connector	CON01166
X13650726010	Temperature sensor CH530 global connector- 40 to 120°C	SENO1959
-	Kit - wire harness adapter female global connector to 4 wire ribbon cable	KIT12559

Screw chillers sensors



Function	Units	Ordering number
Sensor refrigerant, condensor	RTAA-RTAB-RTWA-RTXA	SEN00202
Sensors water, evaporator inlet and outlet (set of 2)	RTAA-RTAB-RTWA-RTXA	SEN00306
Sensors refrigerant, evaporator inlet and outlet (set of 2)	RTAA-RTAB-RTWA-RTXA	SEN00951
Sensor, oil	RTAA-RTAB-RTWA-RTXA	SEN00204
Sensor, ambient air	RTAA-RTAB-RTWA-RTXA	SEN00113
Plug, D 6.35	RTAA-RTAB-RTWA-RTXA	CON00204
Sensor, discharge	RTHA	SEN00204
Sensor, evaporator outlet OR antifreeze	RTHA	SEN00096
Sensor, antifreeze, ambient air	RTHB	SEN00406
Sensor refrigerant, condensor	RTHB	SEN00405
Sensors water, condensor and evaporator inlet and outlet (set of 2)	RTHB	SEN00404
Sensors water optional, evaporator inlet and outlet	RTHA	SEN0015E
Sensors water , evaporator inlet and outlet	RTHA	SEN00118

Cassette - CWE



Description	Ordering number
Main electronic board	BRD0130E
Inverter board - CWE 01	BRD0131E
Inverter board - CWE 02	BRD0132E
Inverter board - CWE 03	BRD0133E
Inverter board - CWE 04	BRD0134E
Inverter board - CWE 05	BRD0135E
Infrared electronic board	BRD0136E
Electronic board electric heater - 2° version	BRD0137E
Infrared remote control of receiver	CNT0336E

A/C/RT/37T Electromechanical thermostats - Capacity control



Type	Function	Nbr of steps	Setting range (°C)	Ordering number
A36 AHB 9109	Capacity control	4	-18/ + 20	THT0001E
A28 AA 9106	Capacity control	2	-5/ + 28	THT0008E
A19 AAC 9009	Capacity control	2	+ 40/ + 120	THT0034E
A19 ABC 9011	Capacity control	1	+ 38/ + 120	THT0018E
A19 ABC 9036	Capacity control	1	-15/ + 30	THT0017E
A19 ACC 9116	Capacity control	1	-35/ + 10	THT0060E
RT 14175103	Capacity control	1	-5/ + 30	THT0035E
C17.279.57	Capacity control	2	+ 15/ + 22	THT00225
37TG31501521	Capacity control	1	+ 26/ + 75	THT0079E

Electronic thermostats - Capacity control



Function	Type	Sensor	Nbr of steps	Power supply	Reset	Setting range (°C)	Ordering number
Capacity control	A27 A1 N11	SEN0007E	1	24V	-	-40/ + 40	THT0066E
Capacity control	A27 A1 N12	SEN0015E	1	24V	-	+ 10/ + 100	THT0154E
Capacity control	A27 A2 N11	Included	1	230V	-	-20/ + 60	THT0094E
Capacity control	A27 A1 N12	SEN0015E	2	24V	-	+ 10/ + 100	THT0163E
Capacity control	A27 2N21 + S27A2	Included	4	230V	-	-40/ + 40	THT0052E
Capacity control	A27A2N22 + S27A2	Included	4	230V	-	+ 10/ + 100	THT0059E
Additional step	S27 A3	-	1	230V	-	-20/ + 60	THT0095E
Sensor	A99BB300C(cable length 3m)	-	-	-	-	-50/ + 50	SEN0015E
Sensor	A99BB500C(Cable length 4.50 m)	-	-	-	-	-50/ + 50	SEN0007E
Anti-freeze	A27 F1 N11 + A99BB300C	Included	-	24V	Automatic	-10/ + 50	THT0066E
Anti-freeze	A27 M2 N11	Included	-	230V	Manual	-40/ + 40	THT0094E

LM/LO/RMT Safety thermostats



Type	Reset	Set point (°C)	Ordering number
LM 5P 767 3000	Manual	120	THT0058E
LM 7P 656 0000	Manual	148	THT0158E
LO 5P 562 1000	Automatic	85	THT0086E
2455 RMT 146 B201A	Manual	145	THT0141E
2455 RMT 147 B201A	Automatic	100	THT0142E

Wall mounted electronic thermostats



THS/THP01-02



THC02



SEN01523



SEN01577

Type	Function	Programmable	Stage	Ordering number
THS01	Cooling	No	2C/2H	THT0143E
THS02	Cooling/Heating	No	2C/2H	THT0144E
Sensor	Cooling/Heating	No		SEN01523
THC02	Cooling/Heating	No	2C/1H	THT0152E
THP01	Cooling	Yes	2C/2H	THT0149E
THP02	Cooling/Heating	Yes	3C/2H	THT0150E
BAYSENS119AA	Cooling/Heating	Yes		SEN01577
THS / THP 01-02 remote sensor	-	-	-	BOX0012E
THC02 remote sensor	-	-	-	SEN0044E
TZS01-BAYSENS077AA	-	-	-	SEN01448
FB-T28	Temperature sensor	-	-	SEN0045E

Wall mounted mechanical thermostats



Type	Change over	Setting range (°C)	Step	Ordering number
T6371B1041	Manual	+ 10/ + 30	1C/1H	THT0123E
T6375B1088	Manual	+ 10/ + 30	2C/2H	THT0124E
T6375C1086	Automatic	+ 10/ + 30	2C/2H	THT0126E
T6377B1094	Manual	+ 10/ + 30	2C/2H	THT0127E
Q637AITEM L	-	-	-	SWT0212E

Wall thermostats



THT0194E



THT0177E

Type	Ordering number
Sensor zone set 3 speed fan	SEN01517
Sensor zone set to V 3 speed fan	SEN01518
Wall thermostat -ZN523 - ZSM11-1 - with LCD	THT0194E
Wall thermostat simple ZN523- Type ZSM10 without LCD	THT0192E
Wall thermostat Eberle - Type KLR-E 7203	THT0177E
RJ9/RJ9 - 12 meter cable	CAB00029
RJ9/RJ9 - 6 meter cable	CAB00028

Room thermostats



THT0130E

- Environmental sensor rated from 5 to 30°C
- 5-wire installation
- Non-sealed ABS plastic box (IP20)



THT0131E

- Environmental sensor rated from 5 to 30°C
- 5-wire installation
- Graduated control knob
- Non-sealed ABS plastic box (IP20)
- Manual occupied / unoccupied control button

Type	Ordering number
TZS01-BAYSENS077AA	SEN01448
S155.057	THT0130E
S155.058	THT0131E

H.P Transducer pressure



Pressure (bar)	Service Pressure (bar)	Temperature (C°)	Ordering number
1/34	55	0 / 80	TDR0015E
0/30	-	-25 / +80	TDR0014E
0/20	38.5	-30/ +100	TDR0018E
1/46	50	-30/ +100	TDR0019E

Connector 1/4 NPT - 4-20mA - Cable length 8m

Temperature sensors



Part description	Ordering number
Immersion temperature sensor 4" - without well	SEN0060E
Immersion temperature sensor 6" - without well	SEN0061E
Immersion temperature sensor 6" - set of 2 matched sensors	SEN0059E
Strap on temperature sensor	SEN0058E
Air temperature sensor	SEN0057E
Duct temperature sensor	SEN0053E
Duct temperature sensor - type : VAV	SEN0062E
CO2 sensor - Duct mounting	SEN01092
CO2 sensor - Wall mounting	SEN01564
Room humidity sensor	SEN0055E
Duct humidity sensor	SEN0054E

NonContact Thermometer



Part description	Description	Ordering number
RAYMT4U	Tool Rayinger minitemp C/F - Degrees current temp - 2% Accuracy plus laser pointing	TOL01026

Tracer Summit + BCU



Part description	Ordering number
Communication card - COMM2	BRD00935
Board isolated - COMM3	BRD00933
Board isolated - COMM4	BRD00936
Board isolated - COMM5 - BCU II	BRD01670
Coaxial card PC or BCU	MOD0074E
Coaxial card HUB connexion	BRD01114
TS Workstation software V17	LOG0009E
Board BMTW BCU I/O	BRD01672
Cable RJ45 used with I/O module on BMTW BCU	CAB00900
Board summit expanded SIM memory	BRD01713
Transformer for water loop controller 120/240, 24VAC, 76VA	TRR01279
Main board BCU EC BOARD	BRD02889

Tracker



Part description	Ordering number
Module Tracker - GTC Rooftop	MOD0048E

MP581

Part description	Ordering number
Panel carrier for MP581 main board	PNL14797
Module stand alone operator display - MP581	MOD01898
Transformer for water loop controller - 120/240, 24VAC, 76VA	TRR01279
Board assembly PCB EX2	BRD03827
Module assembly W/ CARRIER MP580/581 MAIN	MOD01813
Module MP581 -Terminator W/LOWER carriage	MOD01254

Universal programmable Controller

Part description	Ordering number
Kit local LCD indicator UCPM - Tracer application - Norme C.E.	KIT0524E
Module remote LCD - UPCM	BRD01016
Board - PCB EC UPCM BOP - W/OVERRIDE (FERRITES INCLUDED)	BRD01721
Card UPCM - 6 output combo - with override - Tracer application - Norme C.E.	BRD0043E
Board - UPCM 400 MA power supply	BRD00997
Board - PCB US UPCM Universal	BRD02079
Voltage transformer 110/220V - Primary - Secondary 75VA for binair output UPCM	TRR01026

Programmable Controller module

Part description	Ordering number
Module PCM 20 PTS - without LCD - with box	MOD0069E
Module PCM - 20 PTS - with LCD - not configurated	MOD0068E
Power supply 24VAC/24VDC 100MA	PWR00042

Thermostat unit control

Part description	Ordering number
Thermostat unit control installed on field	THT0166E

General controller module

Part description	Ordering number
Module - MP501 setpoint controller	MOD01257
Module MP503 Input/Output Controller	MOD01258

Zone controller

Part description	Ordering number
Zone controller - Tracer ZN511	MOD01259
Regulation card ZN520	BRD0083E

Trane communication interface

Part description	Ordering number
TCI-b (Tracer Summit / Modbus)	MOD0099E
TCI-c per UCP1	MOD0095E
TCI-c per UCP2	MOD0096E
TCI-c per UCM/CLD	MOD0097E
TCI-m (Tracer 100i / Modbus)	MOD0100E
TCI3 (UCPII Tracer 100i / Summit / Tracker / GCI)	BRD02893
TCI4 - Comm 3 (UCP2 Tracer 100i / GCI)	MOD01396
TCI4 - Comm 4 (UCP2 Summit)	MOD01394
CSR (UCM-CLD Tracer 100i / Summit / GCI)	MOD01422
TCI-e (RCM / SCM Tracer 100i)	MOD0102E
TCI-u (UCP1 Tracer 100i)	MOD0103E

Cavi - Hardware

Part description	Ordering number
Cable CPM/PCM in to PC	CAB00099
Interconnecting cable - 3.5 m Manager/modem	CAB0007E
Cable CRT/Manager	CAB0008E

SRR Mufflers - Brazed connection

Model number	Approval	Connection diameters	Ordering number
SRR 41	PED	1"5/8	MFL0015E
SRR 54	PED	2"1/8	MFL0016E

SCY Mufflers - Brazed connection



Model number	Connection diameters	Ordering number
SCY 50	5/8"	MFL0013E
SCY 90	1" 1/8	MFL0006E
SCY 110	1"3/8	MFL0007E
SCY 130	1"5/8	MFL0004E

3030/3060 Safety Valves - 10-32 bars



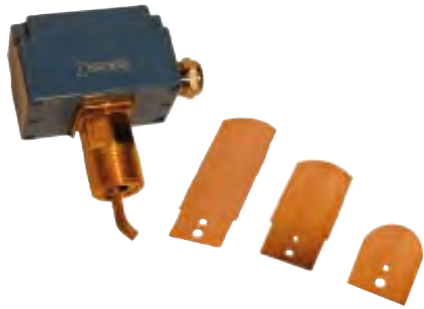
Safety valve type	Model number	Pressure	Inlet connection diameter	Outlet connection diameter	"Kd" Coef.	Ordering number
A	3030/44C170	17	1/2" NPTM	3/4" G	0.9	VAL0766E
A	3030/88C100	10	1" NPTM	1" 1/4 G	0.83	VAL0767E
A	3030/88C130	13	1" NPTM	1" 1/4" G	0.83	VAL0768E
A	3030/88C160	16	1" NPTM	1" 1/4" G	0.83	VAL0769E
A	3030/66C245	24.5	3/4" NPTM	3/4" G	0.9	VAL0776E
B	3060/45C160	16	1/2" NPTM	5/8" SAE	0.45	VAL0772E
B	3060/45C170	17	1/2" NPTM	5/8" SAE	0.45	VAL0773E
B	3060/45C250	25	1/2" NPTM	5/8" SAE	0.45	VAL0774E
B	3060/45C280	28	1/2" NPTM	5/8" SAE	0.45	VAL0775E
B	3060/45C300	30	1/2" NPTM	5/8" SAE	0.45	VAL0771E
B	3060/45C230	23	1/2" NPTM	5/8" SAE	0.45	VAL0777E
B	3060/45C310	31	1/2" NPTM	5/8" SAE	0.45	VAL0778E

Safety valves - 16.5-21 bars



Model number	Setting (Psig)	Setting (Bars)	Connection	Ordering number
5242/235	235	16.5	3/4"	VAL0161E
63613/300	300	21	3/4"	VAL0016E
63618-1	300	21	1"	VAL0017E

Flow swith (blades) - 10-10.3 bars



Blade diameter	Pressure (bar)	Pressure (Psig)	Protection rating	Ordering number
6"	10.3	150	IP 67	CNT0132E
50-80 mm	10	145	IP 65	CNT0282E
80 mm	10	145	IP 65	CNT0305E

Flow switch (electronic)



Regulation (cm3/s)	Pressure (bars)	Voltage (VAC)	Protection rating	Ordering number
20	30	24	IP67	CNT0241E
40	30	24	IP67	CNT0242E
Connector cable pur - without halogen - lenght 5m				CON0101E

KP High pressure controls



Model number	Reset	Set point adjustable (bars)	Differential (bars)	Maximum pressure (bars)	Connection (inches)	Ordering number
KP5 060512966	Manual	8/32	3	33	1/4"	CNT0009E
KP5 060509666	Automatic	8/32	1.8-6	33	1/4"	CNT0041E
KP7 060515066	Manual	8/32	4	33	1/4"	CNT0238E

ACB High pressure switches



Type	Reset	Model number	Differential (bars)	Maximum pressure (bars)	Refrigerant	Connection (inches)	Ordering number
ACB-2UB71	Manual	061F9606	4.5	45.0	R22-R407C	1/4"	CNT0294E
ACB-2UB71	Manual	061F9607	4.5	45.0	R134a	1/4"	CNT0295E

P - High pressure controls



Model number	Reset	Set point adjustable (Bars)	Differential (Bars)	Maximum pressure (Bars)	Connection (Inches)	Ordering number
P 20 EA 9670XC	Automatic	7.0/29	4	37.5	1/4"	CNT0274E
P 100 CA 52 D	Automatic	23/28	-	42	1/4"	CNT0102E
P 100 AA 51 D	Automatic	14.5/22	-	42	1/4"	CNT0126E
P 100 CA 13 D	Automatic	20/26	-	42	1/4"	CNT0127E
P 100 DA 50D	Manual	20/28.5	-	42	1/4"	CNT0140E

PS3 High pressure controls



Model number	Reset	Set point fixed (Bars)	Differential (Bars)	Maximum pressure (Bars)	Connection (Inches)	Ordering number
PS3-CF5- HNB	Manual	22.7	-	36	1/4"	CNT0146E
PS3-CF5-HNB	Manual	25.5	-	36	1/4"	CNT0147E
PS3-TF5-HNB	Manual	27.9	-	36	1/4"	CNT0148E

KP Low pressure controls



Model number	Reset	Set point Adjustable (Bars)	Differential (Bars)	Maximum pressure (Bars)	Connection (Inches)	Ordering number
KP1 060509466	Automatic	-0.2/7.5	0.7-4	20	1/4"	CNT0008E

P100 Low pressure controls



Model number	Reset	Set point adjustable (Bars)	Maximum pressure (Bars)	Connection (Inches)	Ordering number
P100 AP 63D	Automatic	-0.5/1.5	42	1/4"	CNT0153E

FF Low pressure controls



Model number	Reset	Set print adjustable (Bars)	Differential (Bars)	Maximum pressure (Bars)	Connection (inches)	Ordering number
FF 142.3 BAA 1W	Automatic	0.5/8	-	25	1/4"	CNT0078E

MP Oil pressure controls



Model number	Reset	Set print adjustable (Bars)	Delay (sec)	Maximum pressure (Bars)	Connection (Inches)	Ordering number
MP54 060B 1003	Manual	0.9-1.2	60	22	1/4"	CNT0002E
MP54 060B 1004	Manual	2.1/2.4	120	22	1/4"	CNT0038E

P Oil pressure controls



Model number	Reset	Set point adjustable (Bars)	Delay (sec)	Maximum pressure (Bars)	Connection (Inches)	Ordering number
P74 EA 9300	Automatic	0.6/4.8	0	23	1/4"	CNT0033E

Water differential pressure hysteresis



Setting range (bar)	Differential (bar)	Connection NPT	Ordering number
0.015 / 0.2	0.8	5/8"	CNT0135E

240 RA series



Model number	R22 nominal capacity (kw)	R502 nominal capacity (kw)	Kv	Connection diameter	Ordering number (1)
240 RA 9T 5T	69.1	45.3	3.8	5/8"	VAL0214E
240 RA 9T 7T	69.1	45.3	3.8	7/8"	VAL0216E
240 RA 12T 7T	103.5	68	5.7	7/8"	VAL0219E
240 RA 12T 9T	103.5	68	5.7	1"1/8	VAL0218E
240 RA 16T 9T	172	113.3	9.5	1"1/8	VAL0495E
240 RA 16T 11T	172	113.3	9.5	1"3/8	VAL0748E
240 RA 20T 11T	285.6	196.7	15.8	1"3/8	VAL0225E

(1) Valve without coil - See coil table.

Coils for 2 ways valves - Type 240 RA



Model number	Type of valve	Power supply 50-60Hz	Ordering number
ASC24-IP65	401RD	24 V	COL0171E
ASC120-IP65	420RA	110 V	COL0169E
ACS208-IP65	240RA	208 - 240 V	COL0074E
Connector for Alco coil	-	-	CLP0036E

Overhaul kits for 240 RA serie



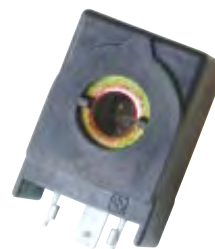
Model number	Description	Valve type	Ordering number
KS 30062	Repair kit	240 RA 9	KIT0335E
KS 30063	Repair kit	240 RA 12	KIT0336E
KS 30065	Repair kit	240 RA 16	KIT0337E
KS 30097	Repair kit	240 RA 20	KIT0338E
KS 30062-1	Gaskets kit	240 RA 9/12	KIT0993E
KS 30065-1	Gaskets kit	240 RA 16	KIT0992E
KS 30097-1	Gaskets kit	240 RA 20	KIT0991E

1098/7



Model number	Kv	Connection diameter	Ordering number
1098/7	5.11	7/8"	VAL0667E

Coils for 1098/7 valves



Model number	Type of valve	Power supply 50-60 Hz	Ordering number
9100 /RA7	EV dia 7/8"	240 V	COL0321E

EVRV



Type	Coil power supply (V/Hz/Ph)	Coil	ODF diameter	Ordering number
EVRV	230/50	COL0392E	3/8" - Gaz 1/2"	VAL0810E
EVRV	230/50	COL0392E	3/8" - 5/16"	VAL0455E

Coils for EVRV valves



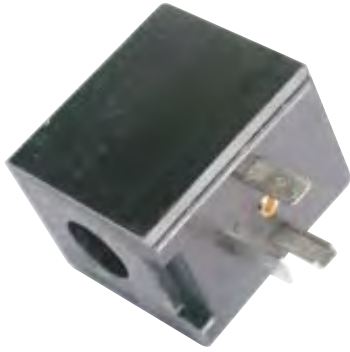
Power supply std 50-60Hz	Valve type	Reference	Ordering number
230 V	EVRV	VAL0810E-VAL0455E	COL0392E

V/VH/RV



Model number	Suction diameters ODF	Discharge diameters ODF	Coil 230v/50/1	Coil 24v/50	Ordering number
VH1J0112	1"3/8	1"1/8	COL0175E	COL0173E	VAL0298E
V10-414120200	7/8"	3/4"	COL0193E	COL0194E	VAL0718E
RV 3F45	5/8"	1/2"	COL0074E	COL0171E	VAL0489E
-	1"1/8	5/8"	-	COL12849	VAL08350
-	3/4"	5/8"	-	COL12849	VAL08358

Coils for reversing valves V/VH/RV



Model number	Power supply 50-60 Hz	Ordering number
LB600120000	230 VAC	COL0175E
LB640160000	24 VAC	COL0173E
ASC24	24 VAC	COL0171E
ASC208	230 VAC	COL0074E
-	24 VAC	COL12849
LDK-414801000	208-240 VAC	COL0193E
LDK-114801000	24 VAC	COL0194E

VHV



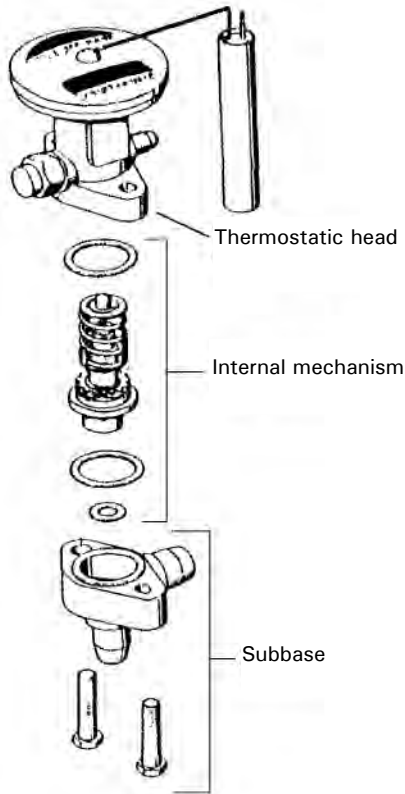
Model number	Coil power supply (V/Hz/Ph)	Suction diameter ODF	Discharge diameter ODF	Coil 230V	Ordering number
VHV6001	230/50/1	2"5/8	1"5/8	COL0393E	VAL0825E
VHV5001	230/50/1	2"1/8	1"1/2	COL0393E	VAL0826E
VHV4001	Without coil	1"3/4	1"1/2	COL0396E	VAL0833E
VHV3003	Without coil	1"7/8	1"1/8	COL0396E	VAL0841E
STF0715G	Without coil	1"1/8	7/8"	COL0395E	VAL0830E

Coils for reversing valves VHV



Model number	Power supply 50-60 Hz	Ordering number
061L2094	230 V	COL0392E
STF01AJ504F1	230 V	COL0393E
CHV01AJ504F1	24 V	COL0396E
STF01AB503B1	24 V	COL0395E

T series R134a - Selection Chart



Model number	Capacity (Kw)	ODF Diameter (inch)	Remote bulb length (m)	Internal mechanism	Thermostatic head without MOP	Thermostatic head with MOP35	Thermostatic head MOP55	Subbase Straight (DL)	Subbase Angle (WL)
TCLE250MW	13.50	3/8" X 5/8"	1.5	CAG0011E	PWR0007E	PWR0008E	PWR0009E	BOD0007E	BOD0001E
TCLE350MW	17.30	1/2" X 5/8"	1.5	CAG0012E	PWR0007E	PWR0008E	PWR0009E	BOD0008E	BOD0002E
TCLE550MW	23.60	1/2" X 5/8"	1.5	CAG0013E	PWR0007E	PWR0008E	PWR0009E	BOD0008E	BOD0002E
TCLE750MW	32.00	5/8" X 7/8"	1.5	CAG0014E	PWR0007E	PWR0008E	PWR0009E	BOD0010E	BOD0003E
TCLE900MW	37.20	5/8" X 7/8"	1.5	CAG0015E	PWR0007E	PWR0008E	PWR0009E	BOD0010E	BOD0003E
TJRE11MW	44.60	7/8" X 7/8"	1.5	CAG0001E	PWR0007E	PWR0008E	PWR0009E	BOD0011E	BOD0004E
TJRE13MW	53.40	7/8" X 7/8"	1.5	CAG0002E	PWR0007E	PWR0008E	PWR0009E	BOD0011E	BOD0004E
TERE16MW	66.40	7/8" X 7/8"	3.0	CAG0003E	PWR0010E	PWR0011E	PWR0012E	BOD0012E	BOD0005E
TERE19MW	76.40	7/8" X 7/8"	3.0	CAG0004E	PWR0010E	PWR0011E	PWR0012E	BOD0012E	BOD0005E
TERE25MW	102.10	7/8" X 7/8"	3.0	CAG0005E	PWR0010E	PWR0011E	PWR0012E	BOD0012E	BOD0005E
TERE31MW	127.70	7/8" X 7/8"	3.0	CAG0006E	PWR0010E	PWR0011E	PWR0012E	BOD0012E	BOD0005E
TIRE45MW	178.60	7/8" X 7/8"	3.0	CAG0007E	PWR0010E	PWR0011E	PWR0012E	BOD0012E	BOD0005E
THRE55MW	230.0	7/8" X 7/8"	3.0	CAG0008E	PWR0010E	PWR0011E	PWR0012E	BOD0013E	BOD0006E
THRE68MW	280.00	7/8" X 7/8"	3.0	CAG0009E	PWR0010E	PWR0011E	PWR0012E	BOD0013E	BOD0006E

Nominal capacity : evap + 4°C / cond + 38°C / subcooling 1 K.

T series R404a - Selection Chart

Model number	Capacity (Kw)	ODF Diameter (inch)	Remote bulb length (m)	Internal mechanism	Thermostatic head without MOP	Thermostatic head with MOP40	Thermostatic head with MOP80	Subbase straight (DL)	Subbase angle(WI)
TCLE75SW	2.60	3/8" X 5/8"	1.5	CAG0016E	PWR0015E	PWR0022E	PWR0016E	BOD0007E	BOD0001E
TCLE150SW	5.60	3/8" X 5/8"	1.5	CAG0010E	PWR0015E	PWR0022E	PWR0016E	BOD0007E	BOD0001E
TCLE250SW	12.20	3/8" X 5/8"	1.5	CAG0011E	PWR0015E	PWR0022E	PWR0016E	BOD0007E	BOD0001E
TCLE400SW	15.70	1/2" X 5/8"	1.5	CAG0012E	PWR0015E	PWR0022E	PWR0016E	BOD0008E	BOD0002E
TCLE600SW	21.50	1/2" X 5/8"	1.5	CAG0013E	PWR0015E	PWR0022E	PWR0016E	BOD0008E	BOD0002E
TCLE850SW	29.00	5/8" X 7/8"	1.5	CAG0014E	PWR0015E	PWR0022E	PWR0016E	BOD0010E	BOD0003E
TCLE1000SW	33.80	5/8" X 7/8"	1.5	CAG0015E	PWR0015E	PWR0022E	PWR0016E	BOD0010E	BOD0003E
TJRE12SW	42.80	7/8" X 7/8"	1.5	CAG0001E	PWR0015E	PWR0022E	PWR0016E	BOD0011E	BOD0004E
TJRE14SW	51.30	7/8" X 7/8"	1.5	CAG0002E	PWR0015E	PWR0022E	PWR0016E	BOD0011E	BOD0004E
TERE18SW	63.40	7/8" X 7/8"	3.0	CAG0003E	PWR0017E	PWR0023E	PWR0018E	BOD0012E	BOD0005E
TERE20SW	72.30	7/8" X 7/8"	3.0	CAG0004E	PWR0017E	PWR0023E	PWR0018E	BOD0012E	BOD0005E
TERE27SW	95.00	7/8" X 7/8"	3.0	CAG0005E	PWR0017E	PWR0023E	PWR0018E	BOD0012E	BOD0005E
TERE37SW	122.10	7/8" X 7/8"	3.0	CAG0007E	PWR0017E	PWR0023E	PWR0018E	BOD0012E	BOD0005E
TIRE47SW	167.40	7/8" X 7/8"	3.0	CAG0007E	PWR0017E	PWR0023E	PWR0018E	BOD0012E	BOD0005E
THRE61SW	217.00	7/8" X 7/8"	3.0	CAG0008E	PWR0017E	PWR0023E	PWR0018E	BOD0013E	BOD0006E
THRE77SW	272.00	7/8" X 7/8"	3.0	CAG0009E	PWR0017E	PWR0023E	PWR0018E	BOD0013E	BOD0006E

Nominal capacity : evap + 4°C / con + 38°C / subcooling 1 K.

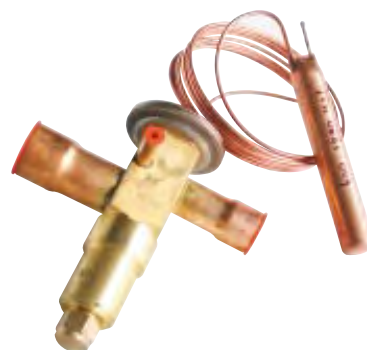
T Series R22 - Selection Chart

Model number	Capacity (Kw)	ODF Diameter (Inch)	Remote bulb length (m)	Internal mechanism	Thermostatic head without MOP	Thermostatic head MOP65	Thermostatic head MOP100	Subbase Straight (DI)	Subbase Angle (WI)
TCLE100HW	3.70	3/8" X 5/8"	1.5	CAG0016E	PWR0001E	PWR0002E	PWR0003E	BOD0007E	BOD0001E
TCLE200HW	7.90	3/8" X 5/8"	1.5	CAG0010E	PWR0001E	PWR0002E	PWR0003E	BOD0007E	BOD0001E
TCLE300HW	17.30	3/8" X 5/8"	1.5	CAG0011E	PWR0001E	PWR0002E	PWR0003E	BOD0007E	BOD0001E
TCLE500HW	22.20	1/2" X 5/8"	1.5	CAG0012E	PWR0001E	PWR0002E	PWR0003E	BOD0008E	BOD0002E
TCLE500HW	22.20	3/8" X 5/8"	1.5	CAG0012E	PWR0001E	PWR0002E	PWR0003E	BOD0007E	BOD0002E
TCLE500HW	22.20	5/8" X 7/8"	1.5	CAG0012E	PWR0001E	PWR0002E	PWR0003E	BOD0010E	BOD0003E
TCLE750HW	30.40	5/8" X 7/8"	1.5	CAG0013E	PWR0001E	PWR0002E	PWR0003E	BOD0010E	BOD0003E
TCLE750HW	30.40	5/8" X 1" 1/8	1.5	CAG0013E	PWR0001E	PWR0002E	PWR0003E	BOD0016E	-
TCLE750HW	30.40	1/2" X 5/8"	1.5	CAG0013E	PWR0001E	PWR0002E	PWR0003E	BOD0008E	BOD0002E
TCLE1000HW	41.10	5/8" X 7/8"	1.5	CAG0014E	PWR0001E	PWR0002E	PWR0003E	BOD0010E	BOD0003E
TCLE1200HW	47.80	5/8" X 7/8"	1.5	CAG0015E	PWR0001E	PWR0002E	PWR0003E	BOD0010E	BOD0003E
TERE22HW	86.50	7/8" X 7/8"	3.0	CAG0003E	PWR0004E	PWR0005E	PWR0006E	BOD0012E	BOD0005E
TERE22HW	86.50	7/8" X 7/8"	6.0	CAG0003E	PWR0020E	PWR0024E	PWR0025E	BOD0012E	BOD0005E
TERE26HW	102.30	7/8" X 7/8"	3.0	CAG0004E	PWR0004E	PWR0005E	PWR0006E	BOD0012E	BOD0005E
TERE26HW	102.30	7/8" X 7/8"	6.0	CAG0004E	PWR0020E	PWR0024E	PWR0025E	BOD0012E	BOD0005E
TERE35HW	137.50	7/8" X 7/8"	3.0	CAG0005E	PWR0004E	PWR0005E	PWR0006E	BOD0012E	BOD0005E
TERE35HW	137.50	7/8" X 7/8"	6.0	CAG0005E	PWR0020E	PWR0024E	PWR0025E	BOD0012E	BOD0005E
TERE45HW	177.00	7/8" X 7/8"	3.0	CAG0006E	PWR0004E	PWR0005E	PWR0006E	BOD0012E	BOD0005E
TERE45HW	177.00	7/8" X 7/8"	6.0	CAG0006E	PWR0020E	PWR0024E	PWR0025E	BOD0012E	BOD0005E
THRE75HW	295.00	7/8" X 7/8"	3.0	CAG0008E	PWR0004E	PWR0005E	PWR0006E	BOD0013E	BOD0006E
THRE75HW	295.00	7/8" X 7/8"	6.0	CAG0008E	PWR0020E	PWR0024E	PWR0025E	BOD0013E	BOD0006E
THRE100HW	393.00	7/8" X 7/8"	3.0	CAG0009E	PWR0004E	PWR0005E	PWR0006E	BOD0013E	BOD0006E
THRE100HW	393.00	7/8" X 7/8"	6.0	CAG0009E	PWR0020E	PWR0024E	PWR0025E	BOD0013E	BOD0006E
TIRE55HW	216.30	7/8" X 7/8"	3.0	CAG0007E	PWR0004E	PWR0005E	PWR0006E	BOD0012E	BOD0005E
TIRE55HW	216.30	7/8" X 7/8"	6.0	CAG0007E	PWR0020E	PWR0024E	PWR0025E	BOD0012E	BOD0005E
TJRE14HW	57.70	7/8" X 7/8"	1.5	CAG0001E	PWR0001E	PWR0002E	PWR0003E	BOD0011E	BOD0004E
TJRE18HW	69.20	7/8" X 7/8"	1.5	CAG0002E	PWR0001E	PWR0002E	PWR0003E	BOD0011E	BOD0004E

Nominal capacity : Evap + 4°C / Cond + 38°C / Subcooling 1 K.



TGE series



Model number	Nominal cooling capacity (1)	Refrigerant	Connection diameter	Capillary length (M)	Ordering number
TGEN 4.5	17	R134a	5/8" x 7/8"	1.5	VAL0919E
TGEN 7	24	R134a	5/8" x 7/8"	1.5	VAL0920E
TGEN 8	29	R134a	5/8" x 1"1/8	1.5	VAL0921E
TGEN 10	37	R134a	7/8" x 1"1/8	1.5	VAL0922E
TGEN 12	44	R134a	7/8" x 1"1/8	3.0	VAL0923E
TGEN 17	61	R134a	7/8" x 1"3/8	3.0	VAL0924E
TGEN 20	70	R134a	1"1/8 x 1"3/8	3.0	VAL0925E
TGEN 25	87	R134a	1"1/8 x 1"3/8	3.0	VAL0926E
TGEX 7.5	27	R22	5/8" x 7/8"	1.5	VAL0945E
TGEX 11	38	R22	5/8" x 7/8"	1.5	VAL0946E
TGEX 12	43	R22	5/8" x 1"1/8	1.5	VAL0947E
TGEX 15	54	R22	7/8" x 1"1/8	1.5	VAL0948E
TGEX 18	63	R22	7/8" x 1"1/8	3.0	VAL0949E
TGEX 26	92	R22	7/8" x 1"1/8	3.0	VAL0950E
TGEX 30	104	R22	1"1/8 x 1"3/8	3.0	VAL0951E
TGEX 38	134	R22	1"1/8 x 1"3/8	3.0	VAL0952E
TGEL 6.5	24	R410A	1/2" x 7/8"	1.5	VAL0927E
TGEL 9	32	R410A	5/8" x 7/8"	1.5	VAL0928E
TGEL 13	45	R410A	5/8" x 1"1/8	1.5	VAL0929E
TGEL 15	54	R410A	5/8" x 1"1/8	3.0	VAL0930E
TGEL 19	68	R410A	7/8" x 1"1/8	3.0	VAL0931E
TGEL 23	79	R410A	7/8" x 1"1/8	3.0	VAL0932E
TGEL 31	110	R410A	7/8" x 1"1/8	3.0	VAL0933E
TGEL 35	125	R410A	1"1/8 x 1"3/8	3.0	VAL0934E
TGEL 46	161	R410A	1"1/8 x 1"3/8	3.0	VAL0935E

(1) Nominal capacity : evap + 4°C / cond + 38° C / subcooling 4K.

Connection type : straight

TRE



Model number	Refrigerant	Capillary length (m)	Inlet connection	Outlet connection	Ordering number
TRE	R407C	3	1"1/8	1"3/8	VAL0839E
TRE	R22	3	1"1/8	1"3/8	VAL0840E

ANE series



Model number	Nominal cooling capacity (Kw)(1)	MOP	Refrigerant	Inlet connection	Outlet connection	Capillary length	Ordering number
ANE 5HW100DL	19.65	100	R22	3/8"	1/2"	1.5	VAL0203E

(1) Nominal capacity evap + 4°C / cond + 38°C / Subcooling 1 K

Connection type : Straight

TX6 series



Model number	Capacity (Kw)(1)	MOP	Refrigerant	Input - Output (inches)	Remote bulb length (m)	Ordering number
TX6 H02	13.3	Without	R22	1/2" x 5/8"	1.5	VAL0430E
TX6 H03	23.7	Without	R22	1/2" x 5/8"	1.5	VAL0431E
TX6 H04	33.0	Without	R22	5/8" x 7/8"	1.5	VAL0432E
TX6 H05	41.8	Without	R22	5/8" x 7/8"	1.5	VAL0434E
TX6 H14	33	MOP	R22	5/8" x 7/8"	1.5	VAL0433E
TX6 H15	41.8	MOP	R22	5/8" x 7/8"	1.5	VAL0435E
TX6 H16	61.9	MOP	R22	7/8" x 1" 1/8"	1.5	VAL0436E
TX6 H17	80.8	MOP	R22	7/8" x 1" 1/8"	1.5	VAL0437E
TX6 M03	18.4	Without	R134a	1/2" x 5/8"	1.5	VAL0429E
TX6 M15	32.5	MOP	R134a	5/8" x 7/8"	1.5	VAL0427E
TX6 M16	32.5	MOP	R134a	7/8" x 1" 1/8"	1.5	VAL0438E
TX6 M17	62.8	MOP	R134a	7/8" x 1" 1/8"	1.5	VAL0439E
TX6 N07	83.7	Without	R407C	7/8 x 1" 1/8	1.5	VAL0539E

(1) Nominal capacity : evp + 4° C / cond + 38°C / subcooling 1 K.

Connection type : straight

Internal Mechanism



Type	Model number	Nominal cooling capacity R134a	Nominal cooling capacity R22	Ordering number
TJRE	X11873 B4B	11	14	CAG0001E
TJRE	X11873 B5B	13	18	CAG0002E
TERE	X9117 B6B	16	22	CAG0003E
TERE	X9117 B7B	19	26	CAG0004E
TERE	X9117 B8B	25	35	CAG0005E
TERE	X9117 B9B	31	45	CAG0006E
TIRE	X9166 B10B	45	55	CAG0007E
THRE	X9144 B11B	55	75	CAG0008E
THRE	X9144 B13B	68	100	CAG0009E
TCLE	X22440 B3B	150	200	CAG0010E
TCLE	X22440 B4B	250	300	CAG0011E
TCLE	X22440 B5B	350	500	CAG0012E
TCLE	X22440 B6B	550	750	CAG0013E
TCLE	X22440 B7B	750	1000	CAG0014E
TCLE	X2240 B8B	900	1200	CAG0015E
TCLE	X22440 B2B	75	100	CAG0016E

Thermostatic head



Type	Model Number	MOP	Refrigerant	Remote bulb length (m)	Ordering number
TJRE	XB 1019 HW 000 1B	Without	R22	1.5	PWR0001E
TJRE	XB 1019 HW 065 1B	65	R22	1.5	PWR0002E
TJRE	XB 1019 HW 100 1B	100	R22	1.5	PWR0003E
TERE-TIRE	XC 726 HW 000 2B	Without	R22	3.0	PWR0004E
TERE-TIRE	XC 726 HW 065 2B	65	R22	3.0	PWR0005E
TERE-TIRE	XC 726 HW 100 2B	100	R22	3.0	PWR0006E
TERE-TIRE	XC 726 HW 000 4B	Without	R22	6.0	PWR0020E
TERE-TIRE-THRE	XC 726 HW 065 4B	65	R22	6.0	PWR0024E
TERE-TIRE-THRE	XC 726 HW 100 4B	100	R22	6.0	PWR0025E
TCLE-TJRE	XB 1019 MW 000 1B	Without	R134a	1.5	PWR0007E
TCLE-TJRE	XB 1019 MW 035 1B	35	R134a	1.5	PWR0008E
TCLE-TJRE	XB 1019 MW 055 1B	55	R134a	1.5	PWR0009E
TERE-TIRE	XC 726 MW 000 2B	Without	R134a	3.0	PWR0010E
TERE-TIRE	XC 726 MW 035 2B	35	R134a	3.0	PWR0011E
TERE-TIRE	XC 726 MW 055 2B	55	R134a	3.0	PWR0012E
TCLE-TJRE	XB 1019 SW 000 1B	Without	R404a	1.5	PWR0015E
TCLE-TJRE	XB 1019 SW 040 1B	40	R404a	1.5	PWR0022E
TCLE-TJRE	XB 1019 SW 080 1B	80	R404a	1.5	PWR0016E
TERE-TIRE	XC 726 SW 000 2B	without	R404a	3.0	PWR0017E
TERE-TIRE	XC 726 SW 040 2B	40	R404a	3.0	PWR0023E
TERE-TIRE	XC 726 SW 080 2B	80	R404a	3.0	PWR0018E
TCLE-TJRE	XB 1019 NW 000 1B	without	R407C	1.5	PWR0026E
TCLE-TJRE	XB 1019 NW 100 1B	100	R407C	1.5	PWR0027E
TERE-TIRE-THRE	XC 726 NW 000 2B	without	R407C	3.0	PWR0021E
TERE-TIRE-THRE	XC 726 NW 100 2B	100	R407C	3.0	PWR0028E

Subbase



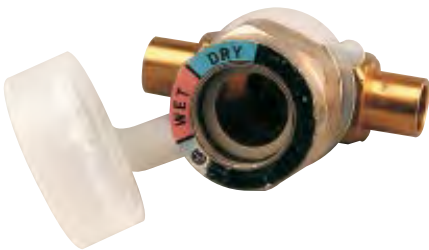
Model number	Connection	Diameter ODF (Inches)	Ordering number
TCLE-C5017	Angle	3/8" X 5/8"	BOD0001E
TCLE-C5015	Angle	1/2" X 5/8"	BOD0002E
TCLE-A576	Angle	5/8" X 7/8"	BOD0003E
TJRE-10331	Angle	7/8" X 7/8"	BOD0004E
TERE/TIRE-9153	Angle	7/8" X 7/8"	BOD0005E
THRE-9149	Angle	7/8" X 7/8"	BOD0006E
TCLE-97613	Straight	3/8" X 5/8"	BOD0007E
TCLE- 97614	Straight	1/2" X 5/8"	BOD0008E
TCLE-X634617	Straight	5/8" X 7/8"	BOD0010E
TJRE- 10332	Straight	7/8" X 7/8"	BOD0011E
TERE-9152	Straight	7/8" X 7/8"	BOD0012E
THRE-9148	Straight	7/8" X 7/8"	BOD0013E

A type



Model number	Part description	Connection	Ordering number
CYS 80419	Sight glass + Body	7/8"	GLS0027E
CYS 80420	Sight glass + Body	1" 1/8	GLS0028E
CYS 80121	Sight glass + Body	1" 1/4	GLS0011E
VCYLS 11	Sight glass + Body	1" 3/8	GLS0029E

B type



Model number	Part description	Dimension A (mm)	Dimension B (mm)	Dimension C (mm)	Dimension D (mm)	Dimension E (mm)	Connection	Ordering number
MI 30 1/2S	Sight glass + Body	66.7	8.7	41.3	47.6	9.5	1/2"	GLS0050E
MI 30 3/8 S	Sight glass + Body	60.3	8.7	41.3	44.4	7.9	3/8"	GLS0049E
SI 3 7/8	Body only	-	-	-	-	-	7/8"	GLS0001E
MI 30 7/8 S	Sight Glass + Body	95.2	12.7	54	57.1	19	7/8"	GLS0052E
SI 3 1" 1/8	Body only	-	-	-	-	-	1" 1/8	GLS0003E
MI 31	Sight glass + Body	105.4	13.7	63	65	20	1" 1/8	GLS0053E
MI 3B	Sight glass only	-	-	-	-	-	-	GLS0018E
PSG5S	Sight glass + Body	74.6	11.5	49.2	49.2	12.7	5/8"	GLS0013E

Gauges



Function	Refrigerant	Range (bars)	Range (PSIG)	Diameters (mm)	Connection (inches)	Ordering number
OIL	OIL	0/16	0/230	60.0	1/8"	GAG0012E
OIL	OIL	0/17	0/240	80	1/8"	GAG0024E
OIL	OIL	0/18	0/255	80	1/4"	GAG0050E
OIL	OIL	0/19	0/270	63.0	1/4"	GAG0053E
L.P.	R22/R134a	0/16	0/227	63.0	1/4"	GAG0046E
L.P.	MULTI	0/20	0/227	63.0	1/4"	GAG0071E
L.P.	R134a	0/16	0/227	80.0	1/4"	GAG0048E
H.P.	R134a	0/25	0/355	80.0	1/4"	GAG0049E
H.P.	MULTI	0/40	0/568	63.0	1/4"	GAG0069E
H.P.	R22/R134a	0/40	0/568	63.0	1/4"	GAG0047E
Refrigerant slide rule	-	-	-	-	-	TOL0049E

Trane manufactured coils

- Ensure the manufacturing of the same original coil whatever your type of equipment.
- Manufactured from original drawings

Terminal units



Fan coils concealed units



Fan coil units
Concealed horizontal



Cassette units



Fan coils units
UniTrane™

Outdoor chillers



Helical rotary compressor



Scroll compressor

Air handling units



Commercial AHU



Customized exchangers

We offer a wide range of heat exchangers for different applications:

Materials

- Copper
- Aluminum
- Steel
- Galvanized steel
- Stainless steel

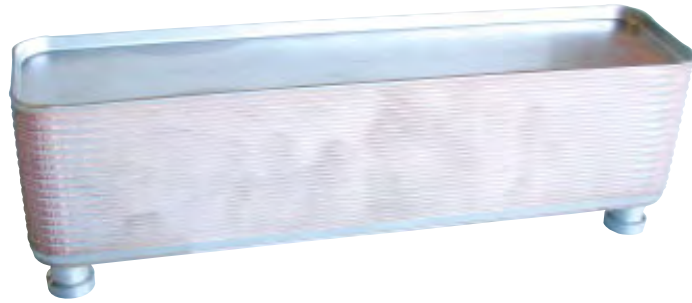
Fluids

- Chilled water
- Hot water
- Superheated water
- Brine solution
- Steam
- Freon

Trane can design and manufacture any exchanger to meet your specific requirements.

For further information contact your nearest Trane representative.

Stainless steel heat exchangers



Type	Nb rows	Water connection	Gaz connection - inlet/outlet	Circuit nbr	Dimensions (mm) height x width x depth	Ordering number
AC350-210DQ	210	3"	1"3/8 - 3"1/8	2	741 x 324 x 710.2	EXC0035E
B15-20	20	7/8"	7/8" - 7/8"	2	465 x 72 x 89.1	EXC0018E
B15-30	30	7/8"	7/8" - 7/8"	2	465 x 72 x 111.5	EXC0019E
B08-30	30	1/2"	1/2"	1	312 x 72 x 98.1	EXC0017E
B25T-20	20	1"	1"1/8 - 1"1/8	1	524 x 117 x 97.0	EXC0001E
B25T-24	24	1"	1"1/8 - 1"1/8	1	524 x 117 x 106.6	EXC0005E
B25T-30	30	1"	1"1/8 - 1"1/8	1	524 x 117 x 121.0	EXC0002E
B25T-34	34	1"	1"1/8 - 1"1/8	1	524 x 117 x 120.6	EXC0006E
B25T-40	40	1"	1"1/8 - 1"1/8	1	524 x 117 x 145.0	EXC0003E
B25T-60	60	1"	1"1/8 - 1"1/8	1	524 x 117 x 193.0	EXC0004E
B50M-40	40	2" 1/8	2"5/8 - 2"5/8	1	524 x 241 x 190.0	EXC0024E
B120TH-30	30	1"5/8	7/8" - 1"5/8	1	525 x 243 x 109.8	CDS0629E
B120TH-40	40	1"5/8	7/8" - 1"5/8	1	525 x 243 x 132.7	CDS0630E
B120TH-50	50	1"5/8	7/8" - 1"5/8	1	525 x 243 x 155.6	CDS0631E
B120TH-60	60	1"5/8	7/8" - 1"5/8	1	525 x 243 x 178.5	CDS0632E
B200	38	1"5/8	1"5/8" - 7/8	1	525 x 243 x 143.1	CDS0710E
B200	46	1"5/8	1"5/8" - 7/8	1	525 x 243 x 171.8	CDS0711E
B200	54	1"5/8	1"5/8" - 7/8	1	525 x 243 x 190.6	CDS0712E
B400T-94	94	3" Victaulic	2"5/8 - 1"3/8	1	694 x 304 x 287.4	EXC0096E
B400T-114	114	3" Victaulic	2"5/8 - 1"3/8	1	694 x 304 x 333.2	EXC0097E
B400T-144	144	3" Victaulic	2"5/8 - 1"3/8	1	694 x 304 x 401.9	EXC0098E
CB26-18H	18	7/8"	7/8" - 7/8"	1	311 x 112 x 78	EXC0023E
CB26-44H	44	1"1/8	7/8" - 1"1/8	1	311 x 112 x 140	EXC0022E
DB47-74	74	2"1/8	1"3/8 - 7/8	2	525 x 243 x 241.8	CDS0657E
DB47-86	86	2"1/8	1"3/8 - 7/8	2	525 x 243 x 270.6	CDS0658E
DB47-102	102	2"1/8	1"3/8 - 7/8	2	525 x 243 x 309.0	CDS0659E
DB47-134	134	2"1/8	1"3/8 - 7/8	2	525 x 243 x 385.8	CDS0660E
DP 400	74	Victaulic 3 " 1/2	5/8"- 1"3/4	2	694 x 304 x 189	EXC0169E
DP 400	90	Victaulic 3 " 1/2	5/8"- 1"3/4	2	694 x 304 x 227	EXC0170E
DP 400	102	Victaulic 3 " 1/2	5/8"- 1"3/4	2	694 x 304 x 256	EXC0171E
DP 400	114	Victaulic 3 " 1/2	5/8"- 2"1/8	2	694 x 304 x 285	EXC0172E
DP 400	126	Victaulic 3 " 1/2	5/8"- 2"1/8	2	694 x 304 x 313	EXC0173E
DP 400	134	Victaulic 3 " 1/2	5/8"- 2"1/8	2	694 x 304 x 332	EXC0174E
DP 400	154	Victaulic 3 " 1/2	3/4"- 2"1/8	2	694 x 304 x 380	EXC0175E
DP 400	162	Victaulic 3 " 1/2	3/4"- 2"1/8	2	694 x 304 x 399	EXC0176E
DP 400	186	Victaulic 3 " 1/2	3/4"- 2"1/8	2	694 x 304 x 457	EXC0177E
DP 400	194	Victaulic 3 " 1/2	3/4"- 2"1/8	2	694 x 304 x 476	EXC0178E
DP 400	206	Victaulic 3 " 1/2	7/8"- 2"5/8	2	694 x 304 x 504	EXC0179E
DP 400	222	Victaulic 3 " 1/2	7/8"- 2"5/8	2	694 x 304 x 543	EXC0180E
DV47-38	38	1"5/8	7/8" - 1"3/8	2	525 x 243 x 159.0	EVP0585E
DV47-74	74	2"1/8	7/8" - 1"5/8	2	525 x 243 x 246.0	EVP0597E
DV47-86	86	2"1/8	7/8" - 1"5/8	2	525 x 243 x 274.0	EVP0598E
DV47-102	102	2"1/8	7/8" - 1"5/8	2	525 x 243 x 309.0	EVP0599E
DV47-134	134	2"1/8	7/8" - 1"5/8	2	525 x 243 x 390.0	EVP0600E

REFRIGERATION COMPONENTS

PLATE TYPE HEAT EXCHANGER

Type	Nb rows	Water connection	Gaz connection - inlet/outlet	Circuit nbr	Dimensions (mm) height x width x depth	Ordering number
DV200-50	50	1"5/8	7/8" - 1"3/8	2	525 x 243 x 191.0	EXC0165E
DV400	82	3" Victaulic	1"1/8"- 2"1/8	2	694 x 304 x 324.4	EVP0644E
DV400	94	3" Victaulic	1"3/8 - 2"1/8	2	694 x 304 x 324.4	EVP0645E
DV400	122	3" Victaulic	1"3/8 - 2"1/8	2	694 x 304 x 422.4	EVP0641E
DV400	138	3" Victaulic	1"3/8 - 2"1/8	2	694 x 304 x 461.4	EVP0642E
DV400	170	3" Victaulic	1"3/8 - 2"1/8	2	694 x 304 x 539.4	EVP0643E
DV58-102	102	2"5/8	2"1/8 - 1"1/8	2	694 x 304 x 319.0	EXC0025E
DV58-122	122	3"	1"3/8 - 2"1/8	2	694 x 304 x 422.4	EVP0633E
DV58-138	138	3"	1"3/8 - 2"1/8	2	694 x 304 x 461.4	EVP0634E
DV58-170	170	3"	1"3/8 - 2"1/8	2	694 x 304 x 539.4	EVP0637E
DV58-82	82	3"	1"1/8"- 2"1/8	2	694 x 304 x 324.4	EVP0639E
DV58-94	94	3"	1"3/8 - 2"1/8	2	694 x 304 x 353.4	EVP0638E
V120TH-30	30	1"5/8	7/8" - 1"5/8	1	525 x 243 x 136.9	EVP0588E
V120TH-40	40	1"5/8	7/8" - 1"5/8	1	525 x 243 x 159.8	EVP0589E
V120TH-46	46	2"	7/8" - 1"5/8	1	525 x 243 x 200.6	EVP0603E
V120TH-50	50	1"5/8	7/8" - 1"5/8	1	525 x 243 x 182.7	EVP0590E
V120TH-58	58	2"	7/8" - 1"5/8	1	525 x 243 x 228.1	EVP0604E
V120TH-60	60	2"1/8	1"1/8 - 2"1/8	1	525 x 243 x 205.6	EXC0020E
V120TH-60	60	1"5/8	7/8" - 1"5/8	1	525 x 243 x 205.6	EVP0591E
V120TH-70	70	2" 1/8	7/8"- 1"5/8	1	525 x 243 x 228.5	EVP0635E
V120TH-70	70	2"	7/8" - 1"5/8	1	525 x 243 x 255.6	EVP0605E
V120TH-90	90	2" 1/8	1"1/8"- 2"1/8	1	525 x 243 x 274.3	EVP0636E
V120TH-90	90	2" 1/8	1"1/8 - 2"1/8	1	525 x 243 x 274.3	EXC0021E
V120TH-90	90	2"	1"1/8"- 2"1/8	1	525 x 243 x 301.4	EVP0640E
V200-38	38	2" Victaulic	7/8" - 1"5/8	1	525 x 243 x 197.3	EVP0646E
V200-46	46	2" Victaulic	7/8" - 1"5/8	1	525 x 243 x 226.0	EVP0647E
V200-54	54	2" Victaulic	7/8" - 1"5/8	1	525 x 243 x 244.8	EVP0648E
V200-72	72	2" Victaulic	1"1/8 - 2"1/8	1	525 x 243 x 286.9	EVP0649E
V200-T	38	1"5/8	7/8" - 1"5/8	1	525 x 243 x 197.3	EVP0650E
V200-T	46	1"5/8	7/8" - 1"5/8	1	525 x 243 x 226.0	EVP0651E
V200-T	54	1"5/8	7/8" - 1"5/8	1	525 x 243 x 244.8	EVP0652E
V25T-50	50	1"	5/8" - 1"1/8	1	524 x 117 x 169.0	EXC0012E
V25T-60	60	1"	5/8" - 1"5/8	1	524 x 117 x 193.0	EXC0013E
V80H-50	50	1"1/4	5/8" - 1"3/8	1	526 x 119 x 170.0	EXC0015E

DCY Anti-acid filter drier - Brazed connections



Model number	Connection ODM	Connection ODF	Nominal capacity (Kw) R22	Capacity (G)	Diameters (mm)	Length (mm)	Ordering number
DCY 083 SK	1/2"	3/8"	13.9	14.0	53.0	139.0	DHY00144
DCY 084 SK	5/8"	1/2"	20.9	14.0	53.0	141.0	DHY00146
DCY 164 S	5/8"	1/2"	26.2	37.0	74.0	163.0	DHY00152
DCY 165 SK	3/4"	5/8"	35.0	13.0	93.0	164.0	DHY00154
DCY 305 SK	3/4"	5/8"	53.0	15.0	53.0	235.0	DHY00161
DCY 417 S	1"	7/8"	110.3	111.0	93.0	278.0	DHY00170

EK Anti-acid filter drier - Brazed connections



Model number	Connection ODM	Connection ODF	Nominal capacity (Kw) R22	Capacity (G)	Diameters (mm)	Length (mm)	Ordering number
EK 053 S	1/2"	3/8"	10.4	9.0	53.0	111.0	DHY00140
EK 163 S	1/2"	3/8"	14.6	36.0	74.0	159.0	DHY00150
EK 303 S	1/2"	3/8"	17.4	62.5	74.0	233.0	DHY00157
EK 304 S	5/8"	1/2"	34.8	63.0	74.0	141.0	DHY00159
EK 414 S	5/8"	1/2"	34.4	103.0	93.0	232.0	DHY00167
EK 415 S	3/4"	5/8"	61.5	106.0	93.0	245.0	DHY00169
EK 757 S	1"	7/8"	104.0	67.0	74.0	308.0	DHY00172

ASD Suction line filter drier burn-out - Braze connections



Model number	Connection ODF	Nominal capacity (Kw) R22	Capacity (G)	Diameters (mm)	Length (mm)	Ordering number
ASD 35 S5	5/8"	20.4	23.0	77.8	187.3	DHY00177
ASD 45 S6	3/4"	24.6	28.0	77.8	187.3	DHY00178
ASD 45 S7	7/8"	32.3	28.0	77.8	226.2	DHY00179
ASD 50 S9	1"1/8	46.4	33.0	77.8	264.3	DHY00180
ASD 75 S11	1"3/8	56.9	48.0	77.8	379.4	DHY00181
ASD 75 S13	1"5/8	60.8	48.0	77.8	400.0	DHY00182

EK Anti-acid filter drier - Thread connections



Model number	Connection line SAE	Nominal capacity (Kw) R22	Capacity (G)	Diameters (mm)	Length (mm)	Ordering number
EK 032	1/4"	4.6	6.0	53.0	107.0	DHY00131
EK 052	1/4"	5.2	8.5	53.0	118.0	DHY00137
EK 083	3/8"	13.9	14.0	53.0	155.0	DHY00143
EK 084	1/2"	20.9	14.0	53.0	161.0	DHY00145
EK 163	3/8"	14.6	36.0	74.0	175.0	DHY00149
EK 164	1/2"	26.2	37.0	74.0	183.0	DHY00151
EK 303	3/8"	17.4	62.5	74.0	249.0	DHY00156
EK 304	1/2"	34.8	63.0	74.0	255.0	DHY00158
EK 414	1/2"	34.8	103.0	93.0	252.0	DHY00166

Shells



Model number	Nominal capacity R 22 (Kw)	Connection	Length (mm)	Diameters (mm)	Core quantity	Packaging (Pcs)	Ordering number
BCY 487	87.0	7/8"	246.0	128.0	1	1	DHY00111
BCY 967	121.9	7/8"	386.0	128.0	2	1	DHY00115
BCY 969	156.7	1" 1/8	391.0	128.0	2	1	DHY00116
BCY 1449	174.1	1" 1/8	531.0	128.0	3	1	DHY00120
BCY 14411	243.8	1" 3/8	541.0	128.0	3	1	DHY0021E
BCY 19211	261.2	1" 3/8	686.0	128.0	4	1	DHY0004E
BCY 19213	348.3	1" 5/8	686.0	128.0	4	1	DHY0022E

Permanent filter - Brazed connection



Model number	Function	Connection	Nominal capacity (Kw) R22	Diameters	Ordering number
WAH759S	Filter drier	1" 1/8	45	89	DHY0033E
WAH417S	Filter drier	7/8"	38	89	DHY0034E

BKF Filter driers bi-flow - Brazed connections



Model number	Nominal capacity (Kw) R22	Connection ODF	Length (mm)	Diameters (mm)	Ordering number
BKF083 S	25.3	3/8"	98.4	58.7	DHY00099
BKF084 S	33.4	1/2"	98.4	58.7	DHY00101
BKF085 S	40.4	5/8"	98.4	58.7	DHY00103
BKF163 S	26.0	1/2"	116.0	73.0	DHY00105
BKF164 S	40.4	1/2"	116.0	73.0	DHY00107
BKF165 S	43.3	5/8"	116.0	73.0	DHY00109

Core filter drier



Model number	Part description	Packaging quantity	Ordering number
VS32S	Filter aspiration	1	COR0004E
RH 48	Filter drier	1	COR00049
CCY 48HP	Filter drier	1	COR0009E
N/W48 DA	Burn out	1	COR00020

Core drier filter for HFC



Model number	Part description	Function	Ordering number
S48	Core drier filter	HFC	COR0008E

Oil filters



Part Description	Used On (1)	Compressor Type	Gasket (2)	Ordering number
Filter element	RTAA-RTAB-RTWA-RTUA-RTRA	CHHB	Included	ELM01042
Filter element 6"	RTAA-RTAB-RTWA-RTUA-RTRA	CHHB	RNG0201E	ELM0016E
Filter element	RTHA-RTHB	CHHA	RNG01410	FLR00779
Filter element 8"	RTHC (From design B)	CHHC	RNG0201E	ELM0017E
Filter element	RTHC (Design A)	CHHC	Included	ELM01405
Filter element	Air/water cooled centrifugal units	Centrifugal compressor	Included	ELM0015E
Oil filter	RTAA-RTAB-RTRA	GP1	GKT03826	FLR01353
Oil Filter	RTAC-RTAD-RTWB-RTUB	GP2	GKT03852 + RNG01697	FLR03434
Oil filter 5/8	RTHD	-	RNG0201E	FLR0279E

- (1) List is not exhaustive
- (2) See filter gaskets table.

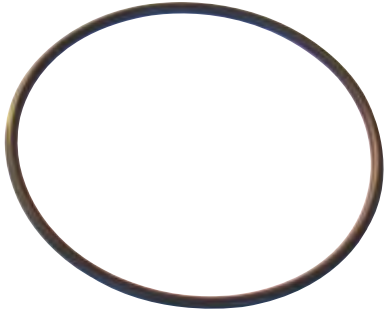
Refrigerant filters



Unit type	Unit size	Gasket	Ordering number
RTHA	130 - 150 - 180 - 215	RNG01410	FLR00779
RTHA	255 - 300	RNG01157	FLR03018
RTHA	380 - 450	RNG01230	FLR00952
RTHB	130 - 150	RNG01157	FLR03018
RTHB	180 - 215	RNG01157	FLR03018
RTHB	255 - 300	RNG01157	FLR03018
RTHB	380 - 450	RNG01230	FLR00952
RTAC	All	Included	KIT07614

- (1) See filter gaskets table.

Filter gaskets



Part description	Used on	Ordering number
O'ring	ELM0016E-ELM0017E	RNG0201E
O'ring	FLR00779	RNG01410
Cover	FLR03434	GKT03852
O'ring	ELM0018E	RNG01157
O'ring	ELM01042	RNG01248
O'ring	ELM01042	RNG01043
Cover	FLR01353	GKT03826
O'ring	FLR03434	RNG01697
O'ring	FLR03434	RNG0208E



Oil analysis

A predictive maintenance

Keep your compressor working longer

High oil quality ensures the longest possible lifecycle for the compressor. Regular oil analysis helps reduce the risk of premature damage and can cut the cost and frequency of oil changes.

Why choose Trane's oil analysis?

- Reduced maintenance costs
- Sustained performance of your compressor
- Longer oil life time

- Compatible with all compressor technologies
- Identification of the nature of the problem without disassembly
- Reduced maintenance costs
- Increased compressor life time
- Confidential results

- Supplements your maintenance contract
- Technical support and expertise from a leading manufacturer

- Reduction of waste oil recycling constraints
- Reduced refrigerant emissions
- Scheduling

Special features of Trane oil analysis

- Applicable to all compressor technologies (scroll, screw, reciprocating and centrifugal)
- Applicable to all manufacturers
- Applicable to all refrigerant lubricants (mineral, synthetic, or semi-synthetic oils)
- Quick results (available in 5 to 10 days)
- Easy comparison between old and new tests
- Analysis of results according to the critical thresholds of our machines and the recommendations of Trane laboratory in order to take the required corrective action

Two available packages

- | | |
|------------------|------------------|
| • ANL0006E | • ANL0008E |
| 2 sampling kits | 1 sampling kit |
| 2 oil analysis | 1 oil analysis |
| 1 pair of gloves | 1 pair of gloves |

Oil acid tests



Type	Part description	Ordering number
TESTOIL-MP	Kit acidity test universal - POE/Mineral/Akylbenzen	KIT1345E

Oil analysis



Oil analysis type	Ordering number (2)
Complete oil analysis and viscosity (wear metals, acid and moisture tests plus comments) (1)	ANL0006E
Kit for 1 compressor oil analysis	ANL0008E

(1) Kit of 2 Oil Analysis

(2) the kit contains a pair of gloves and a box for samples' shipment to Trane oil laboratory

Oils



Type	Refrigerant	Can oil content (liters)	Number of cans	Ordering number
Semi-synthetic	R22	2.0	1	OIL0014E
Semi-synthetic	R22	10.0	11	OIL0027E
Semi-synthetic	R22	10.0	11	OIL0025E
Synthetic	R500	25.0	1	OIL0050E
Ester	R134a / R407C	18.75	1	OIL0020E
Ester	R134a / R407C	3.75	1	OIL0021E
Ester	R134a / R407C	18.75	1	OIL0023E
Ester	R134a / R407C	3.75	1	OIL0048E
Duo seal	Purge unit	4.7	1	OIL00003
Minérale with additive	R22	5.0	1	OIL0059E
Ester with additive	R134a/R407C	3.75	1	OIL0057E
Ester with additive	R134a/R407C	18.75	1	OIL0058E
Polyol ester synthetic	R22 / R407C / R134a	5.0	1	OIL0062E
Polyol ester synthetic	R22 / R407C / R134a	20.0	1	OIL0060E

Note : an indepth oil analysis including wear components / viscosity is available. Please contact your local Trane Service Office

Selection of Trane oils for centrifugal and screw compressors

	Units	Oil content (liters)	Refrigerant	
			R134a	R22
CVGD	023 - 045	42		
	050 - 080	55		
CVGE	023 - 045	42		
	050 - 080	55		
CVGF	400-1000	57		
CVAD	013 - 032	42		
RTHA	130 - 150	17.5		
	180	21		
	215	22.5		
	255	32.5		
	300 - 380	35		
RTAA	450	37.5		
	213	2 x 15		
	214 - 215	2 x 17		
	126	17 + 20		
	217	2 x 20		
	322	17 + 30		
	324	20 + 34		
	328	40 + 20		
RTRA	430	2 x 34		
	432	40 + 34		
	434	2 x 40		
	107	8		
RTWA	108 - 110	16		
	108 - 110	14		
RTAB	207 - 212	2 x 8		
	213 - 217	2 x 14		
RTUA	108 - 110	16		
	207 - 212	2 x 8		
	213	2 x 15		
	214	15 + 17		
	215	2 x 17		
	216	17 + 20		
	217	2 x 20		
RTHB	220	2 x 16		
	108 - 110	14		
	207 - 212	2 X 8		
RTHB	213 - 217	2 X14		
	130 - 150	19		
	180 - 215	24		
	255 - 300	37.5		
	380 - 450	40		

OIL0021E
and / or
OIL0020E

OIL0025E

CONSUMABLES

OILS - ACID TESTS AND OIL ANALYSIS

Selection of Trane oils for hermetic and semi-hermetic compressors

Refrigerant		R22		R134a-R407c
Inlet temperature				
Compressor type	Oil content (liters)	T < -30°C	T > -30°C	-30°C < T < + 105°C
F8	10			
E4	15			
E5-E6	16	OIL0027E	OIL0025E	
E8	17			
R40	9.5			
R50		OIL0027E		
R60	13	EXCEPT: CXAA, CXAD, CXAC: OIL0018E (MANDATORY)		OIL0020E and / or OIL0021E
M3-M4	5.2			
M5-M6	6.2	OIL0027E		
CRHZ 150	4			
CRHZ 200 - 250	4.5	OIL0027E		
CRHZ 300 - 400	4.75	EXCEPT: CXAA, CXAD, CXAC: OIL0018E (MANDATORY)		
CSHA/N 100	3.8			
CSHA/N 150	6.6	OIL00042 and/or OIL0054E		OIL0057E and/or OIL0058E
CSHS		OIL0025E		OIL0020E / OIL0021E
MT		OIL0014E and/or OIL0059E		
MTZ				OIL0049E
SM		OIL0014E and/or OIL0059E		
SZ		OIL00042 and/or OIL0054E		OIL0057E and/or OIL0058E
15, 20, 25 and 30T Copeland			OIL0060E and/or OIL0061E	

Selection of Trane oils for machines with screw compressors

Units	Oil content (liters)	R134a refrigerant
RTHC B1	1A 1A	27
	1B 1C	
RTHC B2	1B 1B	27
	1C 1D	
RTHC C1	3A 2A	33
	3C 2B	
RTHC C1	2A 2A	31
	3B 2B	
	3D 2E	
RTHC C1	2A 2B	28
	4A 2D	
	5A 3B	
	7A 5B	
	2C 2B	
RTHC D2	4B 2F	31
	53C B	
RTHC D3	7C 5B	34

OIL0023E and / or OIL0048E

OILS - ACID TESTS AND OIL ANALYSIS

	Units	Oil content (liters)	R134a refrigerant
RTHC E3	6C 4B	43	OIL0023E and / or OIL0048E
	6A 4A		
	8B 6B	61	
	8A 6A		
RTAC	120 - 170	2 x 7.6	
	185	7.6 + 9.9	
	200	2 x 9.9	
	250 - 275	17 + 10	
	300	19 + 10	
	350	17 + 17	
	375	19 + 17	
	400	19 + 19	
RTAD	85	10	
	100	12	
	115	16	
	125 - 150	18	
	165	21	
	180	22	
RTHD B1	B1B1	17	
	C1D1		
RTHD B2	B1B1	17	
	C1D1		
RTHD C1	D6E5	23	
	D5E4		
	D3E3		
RTHD C2	D6E5	23	
	D5E4		
	E1F1		
RTHD D1	D4E4	23	
	G1G1		
RTHD D2	D1E1	38	
	F1F2		
	G2G1		
RTHD D3	D1E1	42	
	F1F2		
	G2G2		
RTHD E3	D2E2	23	
	F2F3		
	G3G3		

CONSUMABLES

HVAC MAINTENANCE, CLEANERS AND TREATMENTS

Cleaner



Part description	Specification	Content	Ordering number
Indoor and Outdoor Coil Cleaner	Bacteriostatic, Fungicidal	5L	CHM0007E

Decontaminant



Part description	Specification	Content	Ordering number
Decontaminant for Refrigeration and A/C Systems	Bactericidal, Fungicidal, Anti- Legionella	5L	CHM0008E

Leak detector



Part description	Specification	Content	Ordering number
Leak Detector	Compatible with every refrigerants and ammonia	50cl	CHM0010E

Calorie Discharger



Part description	Specification	Content	Ordering number
Calories Discharger	Protection of heat-sensitive equipment (brazed parts, welded)	60cl	CHM0009E

Maintenance accessories

Description	Ordering number
Metallic comb plastic for 8-9-10-12-14-15 fins	FIN0012E
Black epoxy paint - can of 1 kg	PAI0003E
Paint RAL1019 - Aerosol can of 150 ml - type 80BR31	PNT0008E

CMJ / A150 / AR150

Type	Dimensions (mm) width x height x length	Ordering number
CMJ	025 X 310 X 500	FLR0095E
CMJ	025 X 310 X 625	FLR0096E
CMJ	025 X 355 X 725	FLR0099E
CMJ	025 X 375 X 375	FLR0089E
CMJ	025 X 375 X 500	FLR0085E
CMJ	025X 400 X 500	FLR0088E
CMJ	025 X 400 X 625	FLR0087E
CMJ	025 X 500 X 500	FLR0078E
CMJ	025 X 500 X 625	FLR0086E
CMJ	025 X 540 X 725	FLR0100E
CMJ	025 X 580 X 500	FLR0101E
AR 150	050 X 400 X 500	FLR0048E
A 150	050 X 400 X 625	FLR0002E
A 150	050 X 500 X 500	FLR0003E
A 150	050 X 500X 625	FLR0004E

Efficiency : 84 % - Class : G3 - Media : Synthetic - Frame : Metallic - Classification : M1 CSTB

N1N25 / PG50

Type	Dimensions (mm) width x height x length	Ordering number
N1 N25	025 X 375 X 375	FLR0047E
N1 N25	025 X 380 X 508	FLR0046E
N1 N25	025 X 400 X 500	FLR0043E
N1 N25	025 X 400 X 625	FLR0044E
N1 N25	025 X 440 X 500	FLR0182E
N1 N25	025 X 500 X 625	FLR0045E
N1 N25	025 X 560 X 700	FLR0152E
N1 N25	025 X 595 X 620	FLR0151E
N1 N25	025 X 810 X 765	FLR0196E
N1 N25	025 X 625 X 700	FLR0153E
PG50	050 X 287 X 592	FLR0104E
PG50	050 X 287 X 879	FLR0105E
PG50	050 X 592 X 592	FLR0103E

Efficiency : 84 % - Class : G3 - Media : Synthetic - Frame : Metallic - Classification : M1 CSTB

Bag filters



Dimensions (mm) height x length	Efficiency %	Bag number	Ordering number
592 X 287	F65	4	FLR0199E
592 X 287	F85	4	FLR0203E
592 X 287	F95	4	FLR0207E
592 X 592	F65	8	FLR0200E
592 X 592	F85	8	FLR0204E
592 X 592	F95	8	FLR0208E
892 X 287	F65	4	FLR0201E
892 X 287	F85	4	FLR0205E
892 X 287	F95	4	FLR0209E
892 X 592	F65	8	FLR0202E
892 X 592	F85	8	FLR0206E
892 X 592	F95	8	FLR0210E

Type : DRY - PAK, Bag depth : 533, Media : Fiber glass, Frame wide (mm) : 25, Classification : M1 CSTB

FVC/FVK/FLC/FLK/FHK/FSC/FSK/FHS/HFO Units



Part description	Size	Ordering number
Permanent filter	01-02	FLR0138E
Permanent filter	03	FLR0139E
Permanent filter	04	FLR0140E
Permanent filter	06	FLR0141E
Permanent filter	08	FLR0142E
Permanent filter	10	FLR0143E
Permanent filter	11	FLR0144E
Permanent filter	12	FLR0145E
Permanent filter	14-15	FLR0146E
Permanent filter	16-20	FLR0147E

Type: T200 - Serie F.E - Classification M1 - Efficacy 76.6% - Armouring wire galvanized Dia 4mm - Material: polyester - 1 spacer

Bracket filter



Part description	Size	Ordering number
Bracket filter	All	BRK0081E

Ductable unit: FWD



Size	Filter	Quantity	Ordering number
08	EU2	2	FLR0243E
10	EU2	2	FLR0244E
12	EU2	2	FLR0244E
14	EU2	2	FLR0245E
20	EU2	2	FLR0245E
30	EU2	2	FLR0246E
45	EU2	2	FLR0278E
10	Option : EU4	2	FLR0239E
12	Option : EU4	2	FLR0239E
14	Option : EU4	2	FLR0240E
20	Option : EU4	2	FLR0240E
30	Option : EU4	2	FLR0241E
45	Option : EU4	2	FLR0277E

Type: T200 - Serie F.E - Classe M1 - Efficiency 81% - Armature galvanized wire 4mm - Material: polyester

Ductable unit: MWD

Size	Filter	Quantity	Ordering number
524	EU2	2	FLR0243E
530-536	EU2	2	FLR0244E
530-536	Option : EU4	2	FLR0239E
48-60	EU2	2	FLR0245E
48-60	Option : EU4	2	FLR0240E

Type: T200 - Serie F.E - Classe M1 - Efficaciency 81% - Armature galvanized wire 4mm - Material: polyester

Ductable unit: HWD



Size	Quantity	Ordering number
531-540	1	FLR0193E
509-511-513-515-518	1	FLR0195E
24-30	1	FLR0194E
31-40	1	FLR0193E
50	1	FLR0192E
60	1	FLR0191E

Type: T200 - Serie F.E - Classe M1 - Efficiency 76.6% - Armature galvanized wire 4mm -
Material: polyester - 2 spacers

Cassette



Unit type	Size	Ordering number
CAS	518	FLR0215E
CAS	524	FLR0215E
CAS	530	FLR0215E
CAS	536	FLR0215E
CAS	48	FLR0215E
CWS	409	FLR0215E
CWS	430	FLR0215E
CWS	450	FLR0215E
CWS 600	25	FLR0326E
CWS 600	45	FLR0326E
CWS 600	65	FLR0326E

VFS/VFX



Size	Quantity	Ordering number
404-405-408-411	2	FLR0148E

Type: Classe M1 - Material: polypropylene and nylon

MCW/MWW/MWX



Type	Size	Quantity	Ordering number
MCW	30-36	4	FLR0090E
MWW	30	4	FLR0090E
MWW	509-512	2	FLR01678
MWW	518-524	2	FLR01880
MWX	518	1	FLR01398
MWX	518-524	1	FLR01399
MWX	518-524	1	FLR01400
MWX	524	1	FLR01401

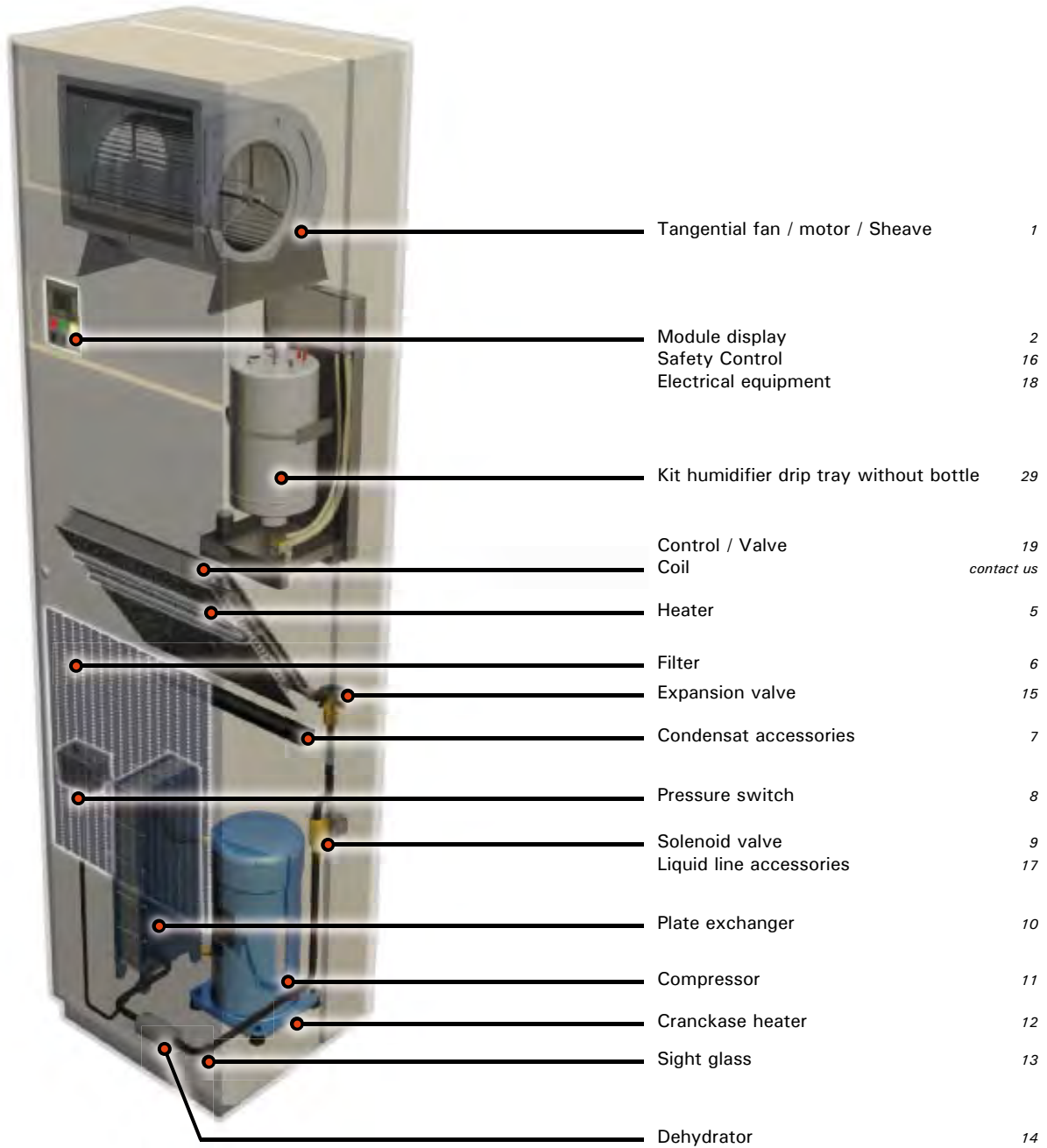
A300 Air filter - N1 Serie

Type	Dimensions (mm)	Ordering number
A 300	044 X 0398 X 0498	FLR0216E
A 300	040 X 0498 X 0498	FLR0217E
A 300	050 X 0500 X 0625	FLR0218E
A 300	050 X 0400 X 0625	FLR0219E
A 300	025 X 0400 X 0625	FLR0220E

Type: A300 - Série N1 - Classification M1 CSTB - Efficacy 94% (EU4) - Polyester

CLOSE CONTROL UNITS

PRODUCT VIEW - JUPITER / MERCURY



MERCURY

Item	Ordering n°	Description	E.....0010A	E.....0013A	E.....0014A	E.....0018A	E.....0024A	E.....0026A	E.....1105A	E.....1106A	E.....1107A	E.....1108A	E.....1113A	E.....1114A	E.....2207A	E.....2208A	E.....2213A	E.....2214A	E.....2216A	E.....2217A	E.....2218A	E.....4216A	E.....4217A	E.....4218A
1	MOT0939E	MOTOR 4.0KW				1																		
1	MOT0940E	MOTOR 3.0KW		1	1																			
1	MOT0941E	MOTOR 2.2KW	1																					
1	MOT1078E	MOTOR 5.5KW					1	1																
1	SHE0309E	SHEAVE MAGIC LOCK - SPA 090 - 2 GROOVE - WITHOUT BUSHING		1	1	1																		
1	SHE0426E	SHEAVE TAPER-LOCK - SPA DP 090 -1 GROOVE - DELIVERY WITHOUT BUSHING	1																					
1	SHE0428E	SHEAVE TAPER-LOCK - SPA DP 090 - 3 GROOVES - DELIVERY WITHOUT BUSHING					1	1																
1	SHE0427E	SHEAVE TAPER-LOCK - SPA DP 125 - 1 GROOVE - DELIVERY WITHOUT BUSHING	1																					
1	SHE0351E	SHEAVE TAPER-LOCK - SPA DP 125 - 2 GROOVE - DELIVERY WITHOUT BUSHING		1	1	1																		
1	SHE0429E	SHEAVE TAPER-LOCK - SPA DP 125 - 3 GROOVES - DELIVERY WITHOUT BUSHING					1	1																
1	FAN0279E	CENTRIFUGAL FAN TYPE : AT 12/12	1																					
1	FAN0281E	CENTRIFUGAL FAN DD12/12 - 1100W							1	1			2	2			2	2	3	3	3	3	3	3
1	FAN0368E	CENTRIFUGAL FAN DD12/9									2	2			2	2								
1	FAN0369E	RADIAL FAN - TYPE : RH56N - 400/50/3	1	2	2	2	3	3	1	1	2	2	2	2	2	2	2	2	2	3	3	3	3	3
1	FAN0277E	CENTRIFUGAL DOUBLE FAN - TYPE : AT 12/9 G2L				1																		
1	FAN0278E	CENTRIFUGAL DOUBLE FAN - TYPE : AT 12/12 G2L	1	1																				
1	FAN0275E	CENTRIFUGAL TRIPLE FAN - TYPE : AT 12/12					1	1																
2	MOD0181E	LCD MODULE DISPLAY	1	1	1	1	1	1	1	1	1	1	1	1	1	1	1	1	1	1	1	1	1	1
5	ELM0023E	REHEAT ELEMENT 2-1KW - 660MM	3	3	3	5	5	5	3	3	3	3	5	5	3	3	5	5	5	5	5	5	5	5
6	FLR0366E	FILTER EU4	3																					
6	FLR0367E	FILTER EU4		5	5																			
6	FLR0368E	FILTER EU4				3																		
6	FLR0369E	FILTER EU4					5	5																
6	FLR0370E	FILTER EU4 SPECIAL 855 X 295 X 100mm							3	3														
6	FLR0371E	FILTER EU4 SPECIAL 855 X 310 X 100mm							3	3														
6	FLR0372E	FILTER EU4 SPECIAL 855 X 265 X 100mm									5	5			5	5								
6	FLR0373E	FILTER EU4 SPECIAL 855 X 255 X 100mm									5	5			5	5								
6	FLR0374E	FILTER EU4 SPECIAL 855 X 510 X 100mm											3	3			3	3						
6	FLR0375E	FILTRE AIR SPECIAL 855 X 525 X 100mm											3	3			3	3						
6	FLR0376E	FILTER EU4 SPECIAL 855 X 455 X 100mm																	5	5	5	5	5	5
6	FLR0377E	FILTER EU4 SPECIAL 855 X 435 X 100mm																	5	5	5	5	5	5
7	PMP0140E	CONDENSAT DRAIN PUMP ECONOMY	1	1	1	1	1	1	1	1	1	1	1	1	1	1	1	1	1	1	1	1	1	1
8	CNT0216E	LOW PRESSURE SWITCH							1	1	1	1	1	1	2	2	2	2	2	2	2	2	2	2
8	CNT0224E	HIGH PRESSURE SWITCH TYPE : G63P50							1	1	1	1	1	1	2	2	2	2	2	2	2	2	2	2
8	CNT0307E	HIGH PRESSURE SWITCH - G63P5100							1	1	1	1	1	1	2	2	2	2	2	2	2	2	2	2
8	HSE0050E	FLEXIBLE PIPE DI 1.2 mm / DE 5.9 mm							1	1	1	1	1	1	2	2	2	2	2	2	2	2	2	2
8	CNT0186E	AIR DIFFERENTIAL PRESSURE CONTROL	2	2	2	2	2	2	2	2	2	2	2	2	2	2	2	2	2	2	2	2	2	2
9	VAL0598E	SOLENOID VALVE							1	1	1	1	1	1	1	1	1	1	1	1	1	1	1	1
10	CDS0739E	CONDENSER PLATE													2									
10	CDS0740E	CONDENSER PLATE														2	2							
10	CDS0741E	CONDENSER PLATE						1	1								2							
10	CDS0742E	CONDENSER PLATE								1	1							2	2		2	2		
10	CDS0743E	CONDENSER PLATE										1									2		2	
10	CDS0744E	CONDENSER PLATE												1										2

CLOSE CONTROL UNITS

CLOSE CONTROL UNITS

MERCURY

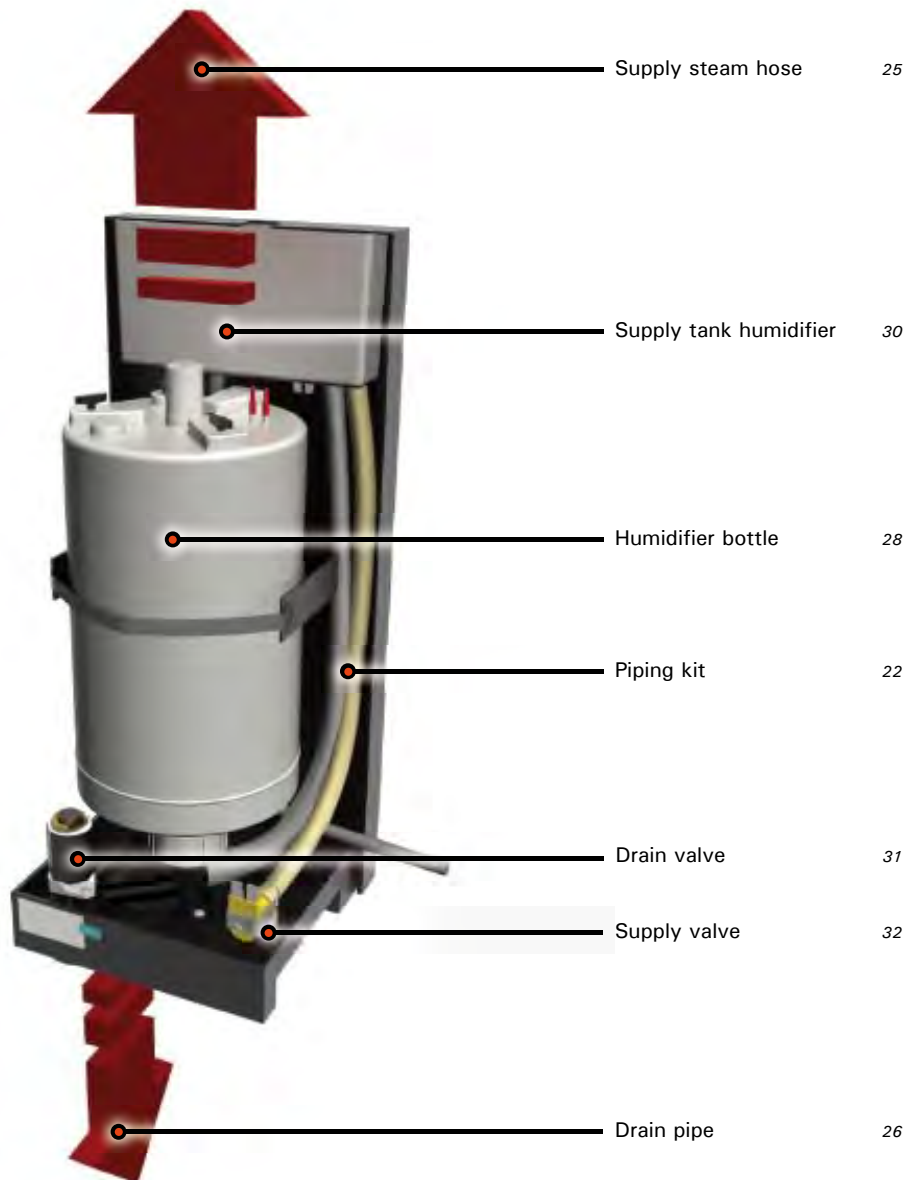
Item	Ordering n°	Description	E.....0010A	E.....0013A	E.....0014A	E.....0018A	E.....0024A	E.....0026A	E.....1105A	E.....1106A	E.....1107A	E.....1108A	E.....1113A	E.....1114A	E.....2207A	E.....2208A	E.....2213A	E.....2214A	E.....2216A	E.....2217A	E.....2218A	E.....4216A	E.....4217A	E.....4218A
11	COM0705E	COMPRESSOR SZ090 SCROLL						1	1										2					
11	COM0618E	COMPRESSOR SZ161 SCROLL											1									2		
11	COM0620E	COMPRESSOR SZ120 SCROLL												1										
11	COM0651E	COMPRESSEUR ZR72KCE-TFD-522 SCROLL																	2					
11	COM0650E	COMPRESSEUR ZR61KCE TFD SCROLL														2	2							
11	COM0791E	COMPRESSEUR SZ084-4 SCROLL						1																
11	COM0793E	COMPRESSEUR SZ110-4 SCROLL										1									2			
11	COM0796E	COMPRESSEUR ZR48K3E-TFD-522 SCROLL														2								
11	COM0798E	COMPRESSEUR ZRT096-K3E SCROLL																				2		
11	COM0799E	COMPRESSEUR ZRT144-K3E SCROLL																					2	
11	COM0800E	COMPRESSEUR ZRT122-K3E SCROLL																					2	
12	HTR0122E	CRANCKASE HEATER													2	2	2	2				4	4	4
12	HTR0213E	CRANCKASE HEATER						1	1	1	1	1	1						2	2	2			
13	GLS0047E	SIGHT GLASS						1	1	1	1	1	1	1	2	2	2	2	2	2	2	2	2	2
14	DHY0038E	DEHYDRATOR						1	1	1	1	1	1	1	2	2	2	2	2	2	2	2	2	2
15	VAL0891E	EXPANSION VALVE TYPE TX3													2	2								
15	VAL0892E	EXPANSION VALVE TYPE TX6						1	1							2	2							
15	VAL0893E	EXPANSION VALVE TYPE TX6								1	1								2	2	2	2	2	2
15	VAL0894E	EXPANSION VALVE TYPE TX6										1	1											
16	SENO082E	TEMPERATURE + HUMIDITY SENSOR	1	1	1	1	1	1	1	1	1	1	1	1	1	1	1	1	1	1	1	1	1	1
16	CAB0036E	CONNECTION CARD RS485 (IMPERATIVE SERIAL NUMBER FOR ORDER)						1	1	1	1	1	1	1	1	1	1	1	1	1	1	1	1	1
16	BRD0119E	CONTROL BOARD MP20 HUMIDIFIER	1	1	1	1	1	1	1	1	1	1	1	1	1	1	1	1	1	1	1	1	1	1
16	BRD0123E	CONTROL CARD PC01 - MEDIUM (IMPERATIVE SERIAL NUMBER FOR ORDER)	1	1	1	1	1	1	1	1	1	1	1	1	1	1	1	1	1	1	1	1	1	1
16	BRD0120E	CONTROL CARD ON/OFF FAN						1	1	1	1	1	1	1	1	1	1	1	1	1	1	1	1	1
16	BRD0121E	CLOCK BOARD POC1	1	1	1	1	1	1	1	1	1	1	1	1	1	1	1	1	1	1	1	1	1	1
16	CNT0310E	FIRE DETECTOR	1	1	1	1	1	1	1	1	1	1	1	1	1	1	1	1	1	1	1	1	1	1
16	CNT0311E	SMOKE DETECTOR	1	1	1	1	1	1	1	1	1	1	1	1	1	1	1	1	1	1	1	1	1	1
16	SENO076E	TEMPERATURE SENSOR	1	1	1	1	1	1	1	1	1	1	1	1	1	1	1	1	1	1	1	1	1	1
16	SENO072E	SENSOR WATER DETECTOR	1	1	1	1	1	1	1	1	1	1	1	1	1	1	1	1	1	1	1	1	1	1
16	SENO123E	FLOODING DETECTOR FSD	1	1	1	1	1	1	1	1	1	1	1	1	1	1	1	1	1	1	1	1	1	1
16	SENO124E	WATER TEMPERATURE SENSOR						1	1	1	1	1	1	1	1	1	1	1	1	1	1	1	1	1
16	VAL0584E	MANUAL SAFETY THERMOSTAT	1	1	1	1	1	1	1	1	1	1	1	1	1	1	1	1	1	1	1	1	1	1
17	VAL0887E	SAFETY VALVE						1	1	1	1	1	1	2	2	2	2	2	2	2	2	2	2	2
17	VAL0616E	VALVE REGULATION OF PRESSION CONDENSER - TYPE HP8-TS						1	1	1	1	1	1	2	2	2	2	2	2	2	2	2	2	2
18	TDR0010E	CURRENT TRANSFORMER - « TAM universel »	1	1	1	1	1	1	1	1	1	1	1	1	1	1	1	1	1	1	1	1	1	1
18	TRR0204E	AUTOTRANSFORMER 3KVA - 3 PHASE	1					1	1	1	1	1	1	1	1	1	1							
18	TRR0205E	AUTOTRANSFORMER 6KVA - 3 PHASE		1	1	1				1	1	1	1	1	1	1	1	1	1	1	1	1	1	1
18	TRR0206E	AUTOTRANSFORMER 9KVA - 3 PHASE						1	1										1	1	1	1	1	1
19	VAL0599E	MOTOR VALVE 0-10V	1	1	1	1	1	1	1	1	1	1	1	1	1	1	1	1	1	1	1	1	1	1
19	VAL0615E	3 WAYS VALVE - DIA 1"						1	1	1	1	1	1	1	1	1	1	1	1	1	1	1	1	1
19	VAL0597E	3 WAYS VALVE 1" 1/4 KVS 16	1	1	1	1	1			1	1	1	1	1	1	1	1							
19	VAL0595E	3 WAYS VALVE 1" 1/2 KVS 2		1	1	1													1	1	1	1	1	1
19	VAL0883E	3 WAYS VALVE KVS 4.0						1	1															
25	HSE0053E	SUPPLY STEAM HOSE DIA 30 mm	1	1	1	1	1	1	1	1	1	1	1	1	1	1	1	1	1	1	1	1	1	1
26	HSE0054E	SUPPLY STEAM HOSE	2	1	1	1	4	4	2	2	2	2	3	3	2	2	3	3	4	4	4	4	4	4
28	BOT0012E	HUMIDIFIER BOTTLE	1	1	1	1	1	1	1	1	1	1	1	1	1	1	1	1	1	1	1	1	1	1
29	KIT1333E	KIT HUMIDIFIER DRIP TRAY	1	1	1	1	1	1	1	1	1	1	1	1	1	1	1	1	1	1	1	1	1	1

JUPITER

Item	Odering n°	Description	J.....0115B	J.....0125B	J.....0133A	J.....0135A	J.....0150A	J.....0160A	J.....020B	J.....0025B	J.....0030B	J.....0040B	J.....0060A	J.....0060B
1	FAN0286E	FAN DD9/7 - 147W - 6 POLE - 230/50/1	1	1		2			1			2		
1	FAN0285E	FAN DD9/9 - 147W - 4 POLE - 230/50/1			1					1	1			
1	FAN0284E	FAN DD 9/9 - 300W - 230/50/1					2	2					2	2
2	MOD0181E	LCD MODULE DISPLAY	1	1	1	1	1	1	1	1	1	1	1	1
5	ELM0022E	HEATING ELEMENT 1300 + 700W - 480MM	1	1										
5	HTR0115E	HEATING ELEMENT 1300 + 700 W - 230V			1									
5	HTR0109E	HEATING ELEMENT 2000 + 1000 W				1	2	2						
6	FLR0291E	FILTER EU2	1	1					1					
6	FLR0290E	FILTER EU2			1					1				
6	FLR0289E	FILTER EU2				1					1	1		
6	FLR0288E	FILTER EU2					1	1					1	1
6	SDA0013E	FILTER EU4	1	1					1					
6	SDA0014E	FILTRE A AIR EU4			1					1				
6	SDA0015E	FILTER EU4				1					1	1		
6	SDA0016E	FILTER EU4					1	1					1	1
8	CNT0216E	LOW PRESSURE SWITCH	1	1	1	1	1	1						
8	CNT0186E	AIR DIFFERENTIAL PRESSURE CONTROL	2	2	2	2	2	2						
8	CNT0224E	HIGH PRESSURE SWITCH TYPE : G63P50	1	1	1	1	1	1						
8	HSE0050E	FLEXIBLE PIPE DI 1.2 mm / DE 5.9 mm	1	1	1	1	1	1						
10	CDS0656E	PLATE CONDENSER			1									
10	CDS0655E	PLATE CONDENSER				1								
10	CDS0654E	PLATE CONDENSER					1	1						
10	CDS0651E	PLATE CONDENSER	1											
10	CDS0738E	PLATE CONDENSER		1										
11	COM0642E	SCROLL COMPRESSOR ZR22K3E	1											
11	COM0974E	SCROLL COMPRESSOR		1										
11	COM0648E	SCROLL COMPRESSOR ZR40K3E-TFD-52			1									
11	COM0796E	SCROLL COMPRESSEUR ZR48K3E-TFD-522				1								
11	COM0650E	SCROLL COMPRESSOR ZR61KCE TFD					1							
11	COM0651E	SCROLL COMPRESSOR ZR72KCE-TFD-522						1						
11	COM0794E	SCROLL COMPRESSOR ZR34K3E-PFJ-522		1										
12	HTR0122E	CRANCKASE HEATER	1	1	1	1	1	1						
13	GLS0048E	SIGHT GLASS	1	1	1	1	1	1						
14	DHY0037E	DEHYDRATOR	1	1	1	1								
14	DHY0038E	DEHYDRATOR					1	1						
15	VAL0888E	EXPANSION VALVE TYPE:TX3	1											
15	VAL0889E	EXPANSION VALVE TYPE:TX3		1	1									
15	VAL0890E	EXPANSION VALVE TYPE:TX3				1								
15	VAL0891E	EXPANSION VALVE TYPE TX3					1	1						
16	SEN0082E	TEMPERATURE + HUMIDITY SENSOR	1	1	1	1	1	1	1	1	1	1	1	1
16	BRD0119E	CONTROL BOARD MP20 HUMIDIFIER	1	1	1	1	1	1						
16	BRD0122E	CONTROL CARD PCO1 - SMALL	1	1	1	1	1	1						
16	BRD0120E	CONTROL CARD ON/OFF FAN	1	1	1	1	1	1						
16	BRD0121E	CLOCK BOARD POC1	1	1	1	1	1	1						
16	SEN0076E	TEMPERATURE SENSOR							1	1	1	1	1	1
16	SEN0072E	SENSOR WATER DETECTOR	1	1	1	1	1	1	1	1	1	1	1	1
16	SEN0123E	FLOODING DETECTOR FSD	1	1	1	1	1	1	1	1	1	1	1	1
16	CNT0310E	FIRE DETECTOR	1	1	1	1	1	1	1	1	1	1	1	1
16	CNT0311E	SMOKE DETECTOR	1	1	1	1	1	1	1	1	1	1	1	1
16	VAL0584E	MANUAL SAFETY THERMOSTAT	1	1	1	1	1	1					1	
16	CNT0308E	SPEED CONTROLE FAN 4A	1	1	1				1	1	1			
16	CNT0309E	SPPED CONTROLER FAN 8A				1	1	1				1	1	1
18	TRD0010E	CURRENT TRANSFORMER	1	1	1	1	1	1						
18	TDR0010E	CURRENT TRANSFORMER - « TAM universel »	1	1	1	1	1	1	1	1	1	1	1	1
19	VAL0884E	3 WAYS VALVE							1					
19	VAL0885E	3 WAYS VALVE								1	1	1		
19	VAL0886E	3 WAYS VALVE											1	1
19	MOT1079E	VALVE MOTOR TYPE: SSC619							1	1	1	1	1	1
25	HSE0052E	SUPPLY STEAM HOSE DIA 22mm	1	1	1	1	1	1	1	1	1	1	1	1
28	BOT0011E	HUMIDIFIER BOTTLE	1	1	1	1	1	1						
29	KIT1332E	KIT HUMIDIFIER DRIP TRAY WITHOUT BOTTLE	1	1	1	1	1	1	1	1	1	1	1	1

CLOSE CONTROL UNITS

PRODUCT VIEW - HUMIDIFIER BOTTLE



HUMIDIFIER BOTTLE



Item	Description	Ordering n°	JUPITER	MERCURY
25	SUPLY STEAM HOSE DIA 30 mm	HSE0053E		1
25	CLEANABLE CYLINDER DIA 22mm	HSE0052E	1	
28	HUMIDIFIER BOTTLE	BOT0012E		1
28	HUMIDIFIER BOTTLE	BOT0011E	1	
28	CLEANABLE CYLINDER	BOT0013E		1
29	KIT HUMIDIFIER DRIP TRAY (WITHOUT BOTTLE)	KIT1333E		1
29	KIT HUMIDIFIER DRIP TRAY (WITHOUT BOTTLE)	KIT1332E	1	
-	KIT HUMIDIFIER DRIP TRAY - OEM313	KIT1337E	-	-
30	SUPPLY TANK HUMIDIFIER WITH CONDUCTIVITY ELECTRODES	REC0066E	1	1
31	DRAIN VALVE HUMIDIFIER	VAL0896E	1	1
32	SUPPLY VALVE HUMIDIFIER	VAL0895E	1	1

Humidifier bottle



Description	Type	Capacity	Ordering number
humidifier bottle	F 201MA	1 à 3 kg/h	BOT0008E
humidifier bottle	E 401T	8 à 13 kg/h	BOT0006E
humidifier bottle	F 401TA	3 à 5 kg/h	BOT0005E
humidifier bottle	E 4001TA	8 à 13 kg/h	BOT0004E
humidifier bottle	F 401T	-	BOT0007E
Kit cylinder filter	-	-	KIT0895E

MDC/BDC/MUA/MUW

Unit	Size	Quantity	Ordering number
MDC / BDC	610	1	MDC0048E
MDC / BDC	710	1	FLR0300E
MDC / BDC	910	1	FLR0296E
MDC / BDC	1210	2	FLR0300E
MDC / BDC	1710	2	FLR0296E
MDC / BDC	2310-2510	3	FLR0296E
MDC / BDC	3010-3310-3510	3	FLR0295E
MUA / MUW	351	1	FLR0301E
MUA / MUW	501-651	1	FLR0299E
MUA / MUW	701-702	2	FLR0301E
MUA / MUW	1002-1302	2	FLR0293E
MUA / MUW	1352	3	FLR0293E

Type : EU4

MDA/MDW/MDG/MDT/MDD/MDE/MUC

Unit	Size	Quantity	Ordering number
MDA-MDW-MDG	351	1	FLR0301E
MDA-MDW-MDG	701-702	2	FLR0301E
MDA-MDW-MDG	501-651	1	FLR0297E
MDA-MDW-MDG	1002-1302	2	FLR0297E
MDA-MDW-MDG	1352-1503	3	FLR0297E
MDT-MDD-MDE	651	2	FLR0301E
MDT-MDD-MDE	702	2	FLR0297E
MDT-MDD-MDE	1002-1302	3	FLR0297E
MUC	610-710	1	FLR0301E
MUC	1210	2	FLR0301E
MUC	910	1	FLR0299E
MUC	1710	2	FLR0293E
MUC	2310-2510	3	FLR0293E

Type : EU4

SDA/SDW/SUA/SUW/SDC/SUC/MDA/MDW/MDG/MDT/MDD/MDE

Unit	Size	Quantity	Ordering number
SDA/SDW/SUA/SUW	151-251	1	FLR0305E
SDA/SDW/SUA/SUW	331	1	FLR0304E
SDA/SDW/SUA/SUW	351	1	FLR0303E
SDA/SDW/SUA/SUW	501	1	FLR0302E
SDC/SUC	200	1	FLR0305E
SDC/SUC	250	1	FLR0304E
SDC/SUC	300-400	1	FLR0303E
SDC/SUC	600	1	FLR0302E

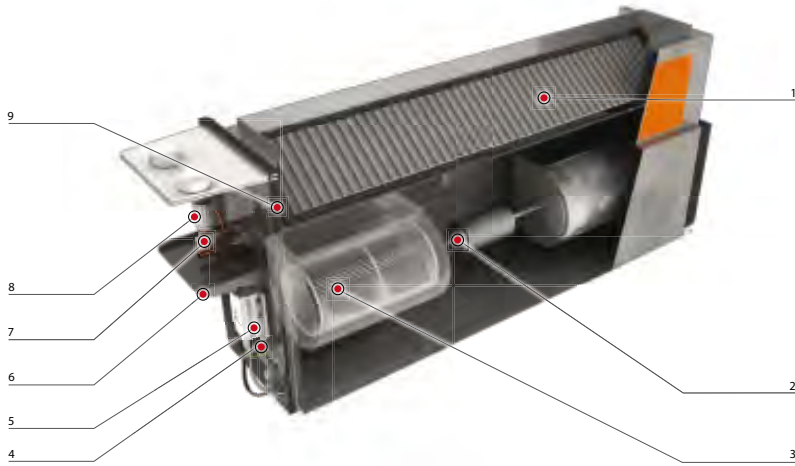
Standard Filter - type EU2 - depth 12 mm

Filter option EU4 - SDA/SDW/SUA/SUW/SDC/SUC

Unit	Size	Quantity	Ordering number
SDA/SDW/SUA/SUW	151-251	1	SDA0013E
SDA/SDW/SUA/SUW	331	1	SDA0014E
SDA/SDW/SUA/SUW	351	1	SDA0015E
SDA/SDW/SUA/SUW	501	1	SDA0016E
SDC/SUC	200	1	SDA0013E
SDC/SUC	250	1	SDA0014E
SDC/SUC	300-400	1	SDA0015E
SDC/SUC	600	1	SDA0016E

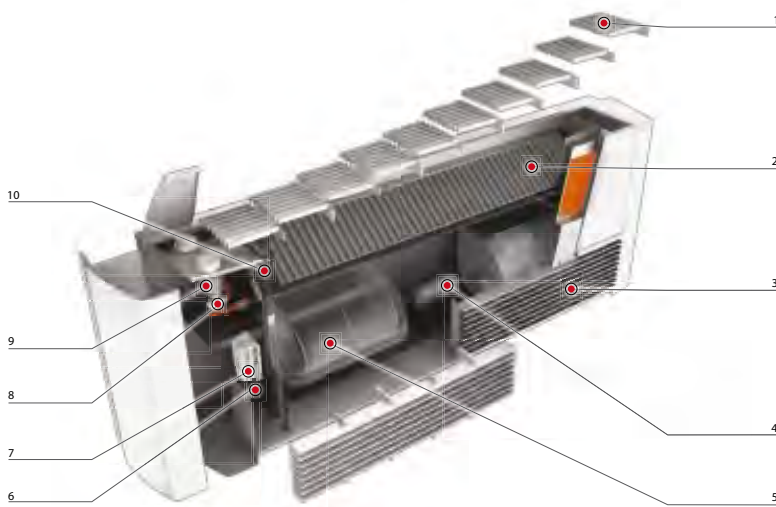
Filter option EU4 - depth 48 mm

Unit main components



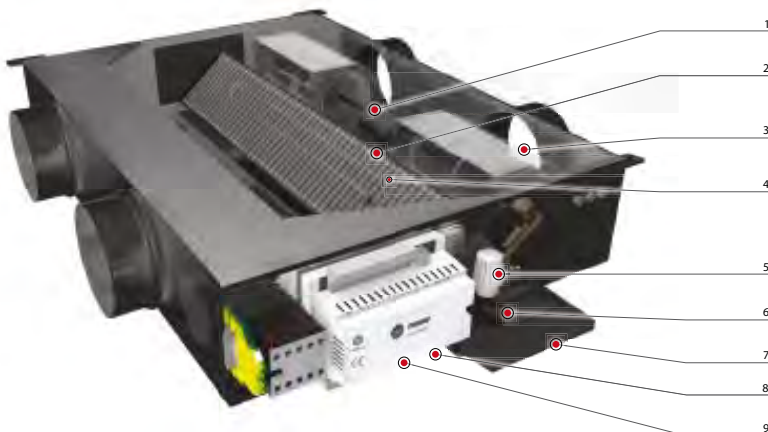
HVC

- 1 = Coil
- 2 = Fan motor and capacitor
- 3 = Tangential fan
- 4 = Sensor
- 5 = ZN thermostat
- 6 = Drain pan
- 7 = Valve body
- 8 = Valve actuator
- 9 = Safety thermostat



FVC

- 1 = Supply guard
- 2 = Coil
- 3 = Filter
- 4 = Fan motor and capacitor
- 5 = Tangential fan
- 6 = Sensor
- 7 = ZN thermostat
- 8 = Valve body
- 9 = Valve actuator
- 10 = Safety thermostat



HFO

- 1 = Fan motor and capacitor
- 2 = Coil
- 3 = Tangential fan
- 4 = Thermostat heater
- 5 = Valve actuator
- 6 = Valve body
- 7 = Drain pan
- 8 = Sensor
- 9 = ZN thermostat

Housing and fans description

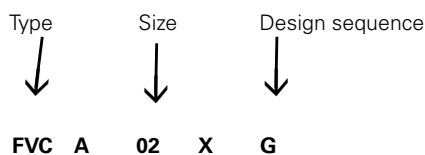
Description	Length (mm)	Ordering number
Fan wheel dia 146	175	FAN0192E
Fan wheel dia 146	238	FAN0193E
Fan wheel dia 146	277	FAN0194E
Fan wheel dia 186	232	FAN0195E
Fan wheel dia 186	279	FAN0196E
Fan wheel dia 146	175	FAN0197E
Fan wheel dia 146	238	FAN0198E
Fan wheel dia 146	277	FAN0199E
Fan wheel dia 186	232	FAN0200E
Fan wheel dia 186	279	FAN0201E
Volute steel	290	FAN0202E
Volute steel	330	FAN0203E
Volute steel	362	FAN0204E
Volute steel	290	FAN0206E
Volute steel	330	FAN0207E
Volute steel	290	FAN0212E
Volute steel	277	FAN0213E
Fan steel assembly dia. 146	240	FAN0208E
Fan steel assembly dia. 146	280	FAN0209E
Fan steel assembly dia. 146	279	FAN0205E

Complete fan : FAN0191E = 1 x HUS0045E + 1 x HUS0044E + 4 x SCR0155E + 4 x CLP0030E

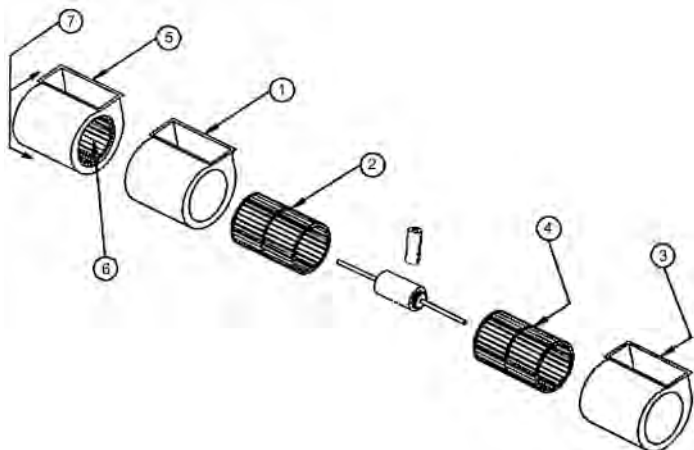
Filters

Type	Unit size	Dimension	Ordering number
T200	02	465 X 212 X 8	FLR0138E
T200	03	665 X 212 X 8	FLR0139E
T200	04	865 X 212 X 8	FLR0140E
T200	06	1065 X 212 X 8	FLR0141E
T200	08	1265 X 212 X 8	FLR0142E
T200	10	1465 X 212 X 8	FLR0143E
T200	11	1087 X 285 X 8	FLR0144E
T200	12	1287 X 285 X 8	FLR0145E
T200	14	1487 X 285 X 8	FLR0146E
T200	16	1687 X 285 X 8	FLR0147E

Fan coil identification



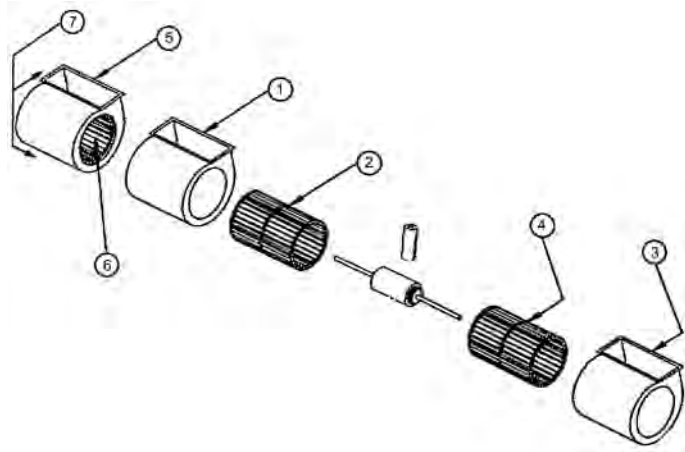
Housings and fans (before design G)



Item	Part description	Size 2	Size 3	Size 4	Size 6	Size 8	Size 10	Size 11	Size 12	Size 14	Size 16	Ordering number
1 (1)	Half plastic housing	1	1	1	1	-	-	-	-	-	-	HUS0044E
1 (1)	Half plastic housing	1	1	1	1	-	-	-	-	-	-	HUS0045E
1 (1)	Housing screw	1	1	1	1	-	-	-	-	-	-	SCR0155E
1 (1)	Shaft clip	1	1	1	1	-	-	-	-	-	-	CLP0030E
1	Complete steel housing	-	-	-	-	-	-	1	-	1	-	FAN0202E
1	Complete steel housing	-	-	-	-	-	-	-	1	-	1	FAN0203E
1	Complete steel housing	-	-	-	-	1	-	-	-	-	-	FAN0212E
1	Complete steel housing	-	-	-	-	-	1	-	-	-	-	FAN0213E
2	Fan wheel (cw)	1	-	1	-	-	-	-	-	-	-	FAN0192E
2	Fan wheel (cw)	-	1	-	1	1	-	-	-	-	-	FAN0193E
2	Fan wheel (cw)	-	-	-	-	-	1	-	-	-	-	FAN0194E
2	Fan wheel (cw)	-	-	-	-	-	-	1	-	1	-	FAN0195E
2	Fan wheel (cw)	-	-	-	-	-	-	-	1	-	1	FAN0196E
3	Half plastic housing	-	-	1	1	-	-	-	-	-	-	HUS0044E
3	Half housing	-	-	1	1	-	-	-	-	-	-	HUS0045E
3	Housing screw	-	-	1	1	-	-	-	-	-	-	SCR0155E
3	Shaft clip	-	-	1	1	-	-	-	-	-	-	CLP0030E
3	Complete steel housing	-	-	-	-	1	-	-	-	-	-	FAN0206E
3	Complete steel housing	-	-	-	-	-	1	-	-	-	-	FAN0207E
4	Fan wheel (acw)	-	-	1	-	-	-	-	-	-	-	FAN0197E
4	Fan wheel (acw)	-	-	-	1	1	-	-	-	-	-	FAN0198E
4	Fan wheel (acw)	-	-	-	-	-	1	-	-	-	-	FAN0199E
4	Fan wheel (acw)	-	-	-	-	-	-	1	-	1	-	FAN0200E
4	Fan wheel (acw)	-	-	-	-	-	-	-	1	-	1	FAN0201E
7	Third fan	-	-	-	-	1	-	-	-	-	-	FAN0208E
7	Third fan	-	-	-	-	-	1	-	-	-	-	FAN0209E
7	Third fan	-	-	-	-	-	-	-	-	1	-	FAN0204E
7	Third fan	-	-	-	-	-	-	-	-	-	1	FAN0205E

(1) Complete fan = 1 x HUS0045E + 1 x HUS0044E + 4 x SCR0155E + 4 x CLP0030E

Housings and fans (after design G)



Item	Part description	Size 2	Size 3	Size 4	Size 6	Size 8	Size 10	Size 11	Size 12	Size 14-15	Size 16-20	Ordering number
1 (1)	Half plastic housing	1	1	1	1	1	1	-	-	-	-	HUS0044E
1 (1)	Half plastic housing	1	1	1	1	1	1	-	-	-	-	HUS0045E
1 (1)	Housing screw	1	1	1	1	1	1	-	-	-	-	SCR0155E
1 (1)	Shaft clip	1	1	1	1	1	1	-	-	-	-	CLP0030E
1 - 3	Complete steel housing	-	-	-	-	-	-	1	-	1	-	FAN0202E
1 - 3	Complete steel housing	-	-	-	-	-	-	-	1	-	1	FAN0203E
2 - 4	Fan wheel (cw)	1	-	1	-	-	-	-	-	-	-	FAN0192E
2 - 4	Fan wheel (cw)	-	1	-	1	-	1	-	-	-	-	FAN0193E
2 - 4	Fan wheel (cw)	-	-	-	-	1	-	-	-	-	-	FAN0194E
2 - 4	Fan wheel (cw)	-	-	-	-	-	-	1	-	1	-	FAN0195E
2 - 4	Fan wheel (cw)	-	-	-	-	-	-	-	1	-	1	FAN0196E
4	Fan wheel (cw)	-	-	-	-	-	-	1	-	1	-	FAN0200E
4	Fan wheel (cw)	-	-	-	-	-	-	-	1	-	1	FAN0201E
3	Half plastic housing	-	-	1	1	1	1	-	-	-	-	HUS0044E
3	Half housing	-	-	1	1	1	1	-	-	-	-	HUS0045E
3	Housing screw	-	-	1	1	1	1	-	-	-	-	SCR0155E
3	Housing clip	-	-	1	1	1	1	-	-	-	-	CLP0030E
5	Half plastic housing	-	-	-	-	-	1	-	-	-	-	HUS0044E
5	Half plastic housing	-	-	-	-	-	1	-	-	-	-	HUS0045E
5	Housing screw	-	-	-	-	-	1	-	-	-	-	SCR0155E
5	Shaft clip	-	-	-	-	-	1	-	-	-	-	CLP0030E
6	Fan wheel	-	-	-	-	-	1	-	-	-	-	FAN0193E
7	Third fan	-	-	-	-	-	-	-	-	1	1	FAN0204E
7	Third fan	-	-	-	-	-	-	-	-	-	1	FAN0205E

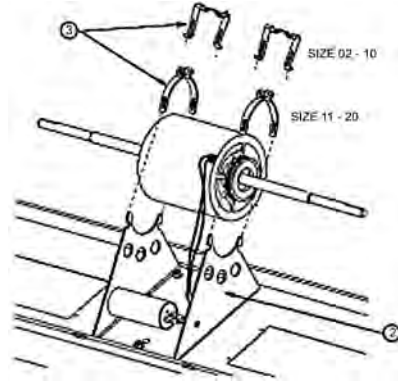
(1) Complete fan = 1 x HUS0045E + 1 x HUS0044E + 4 x SCR0155E + 4 x CLP0030E

Capacitors



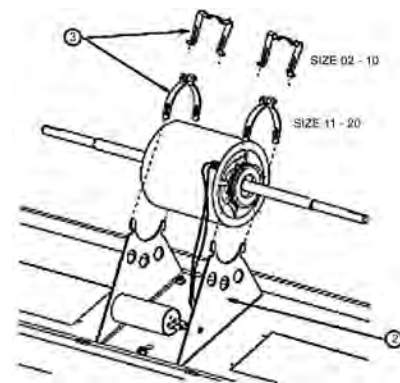
Capacity (mfd)	Voltage (V)	Ordering number
1	400	CPT0025E
1.25	400	CPT0065E
1.5	400	CPT0026E
2	400	CPT0027E
2.5	400	CPT0028E
3	400	CPT0029E
3.5	400	CPT0037E
4	400	CPT0030E
5	400	CPT0031E
6	400	CPT0032E
7	400	CPT0043E
8	400	CPT0033E
10	400	CPT0034E
15	400	CPT0036E
17.5	400	CPT0052E
20	400	CPT0048E
20	220	CPT0008E
21	300	CPT0039E
25	400	CPT0053E
30	400	CPT0063E
35	400	CPT0054E
40	400	CPT0055E
45	400	CPT0056E
55	400	CPT0067E
80	220	CPT0058E
190	220	CPT0066E

Motors (before design G)



Part description	Size 2	Size 3	Size 4	Size 6	Size 8	Size 10	Size 11	Size 12	Size 14	Size 15	Size 16	Size 20	Ordering number
Motor 17w	1	1	-	-	-	-	-	-	-	-	-	-	MOT0785E
Motor 60w	-	-	1	1	-	-	-	-	-	-	-	-	MOT0786E
Motor 90w	-	-	-	-	1	1	-	-	-	-	-	-	MOT0807E
Motor 110w	-	-	-	-	-	-	1	1	-	-	-	-	MOT0881E
Motor 250w	-	-	-	-	-	-	-	-	1	1	1	1	MOT0804E
Capacitor 1mfd 400v	1	1	-	-	-	-	-	-	-	-	-	-	CPT0025E
Capacitor 2 mfd 400v	-	-	1	1	-	-	-	-	-	-	-	-	CPT0027E
Capacitor 6 mfd 400v	-	-	-	-	1	1	-	-	-	-	-	-	CPT0032E
Motor bracket	1	1	1	1	1	1	-	-	-	-	-	-	BRK0076E
Motor clip	2	2	2	2	2	2	-	-	-	-	-	-	CLP0011E

Motors (after design G)



Part description	Size 2	Size 3	Size 4	Size 6	Size 8	Size 10	Size 11	Size 12	Size 14	Size 15	Size 16	Size 20	Ordering number
Motor 17w	1	-	-	-	-	1	-	-	-	-	-	-	MOT0785E
Motor 60w	-	-	1	-	-	-	-	-	-	-	-	-	MOT0786E
Motor 90w	-	-	-	1	1	1	-	-	-	-	-	-	MOT0807E
Motor 110w	-	-	-	-	-	-	1	-	-	-	-	-	MOT0881E
Motor 250w	-	-	-	-	-	-	-	1	1	1	-	-	MOT0804E
Motor 340w	-	-	-	-	-	-	-	-	-	-	1	1	MOT0366E

W/VMP Regulating valves



Model number	Number of way	Kvs	Connection	Actuator (1)	Ordering number
VMP 469.10-1	3	1	1/2	MOT0979E	VAL0785E
VMP 469.10-1.6	3	1.6	1/2	MOT0681E	VAL0786E
VMP 469.15-2.5	3	2.5	3/4	MOT0681E	VAL0787E
VMP45-10-1	4	1.0	1/2"	MOT0982E	VAL0467E
VMP45-10-1.6	4	1.6	1/2"	MOT0982E	VAL0545E
VMP45-15-2.5	4	2.5	3/4"	MOT0982E	VAL0546E

(1) See actuators table.

Actuators for valve W/VMP



Model number	Regulation	Voltage (V/Hz/Ph)	Cable length (meter)	Ordering Number
STE22	on/off	127-220-240v/50hz/1	2.50	MOT0681E
STE72	Modulating	24v/50hz/1	2.00	BON0005E
SSB81	Modulating	24V/50Hz/1	2.00	MOT0982E
STA719	on/off	24V/50Hz/1	2.50	MOT0979E

V Regulating valves



Model number	Number of way	Kvs	Connection	Actuator (1)	Ordering number
V5833C1017T	3	0.6	1/2"	MOT0763E	VAL0397E
V5833C1025T	3	1.0	1/2"	MOT0763E	VAL0398E
V5833C4003	3	1.6	1/2"	MOT0763E	VAL0738E
V9071	2	1.6	1/2"	MOT0916E	VAL0781E
V5833C1041T	3	2.5	3/4"	MOT0763E	VAL0400E

(1) See actuator table.

Actuators for valves V



Model number	Voltage (V/Hz/Ph)	Cable length (meter)	Regulation	Ordering number
M7410C	24v/50/1	3.00	-	MOT0368E
M6410	230v/50/1	1.50	TOR	MOT0370E
M100BG	230v/50/1	2.50	TOR	MOT0369E
M4450	230v/50/1	2.50	-	MOT0763E
M8450A	24v/50/1	2.10	TOR	MOT0916E
M100BOL	230v/50/60 hz	2.50	TOR	MOT0973E

Supply guard and accessories



Colour	Lean	Electrical heater	RAL	Ordering number
White	Fixe	No	9002	GRD0178E
White	Adjustable	Yes	9002	GRD0179E
Grey	Fixe	No	7001	GRD0070E
Beige	Adjustable	Yes	9010	GRD0133E
Plastic hinge	-	-	7001	HNG0007E
Right hand cover - stamed Trane black - CYCOLAC G101 plastic	-	-	9002	COV0018E
Left hand cover - Stamed Trane black - CYCOLAC G101 plastic	-	-	9002	COV0026E
Command plate - Régulation: on/off - CYCOLAC G101	-	-	9002	PLT0055E

Condensat pump and accessories



Part description	Water flow	Ordering number
Drain pump 230/50-60 for fan coil	8l/h	PMP0028E
Drain pump 230/50-60 for fan coil	40l/h	PMP0027E
Lift pump for fan coil - Type KS2031	50l/h	PMP0128E
Condensat pump for cassette CWS	-	PMP0048E
Condensat pump	400cm ³ /min	PMP0052E
Condensat pump for cassette CWS with bracket	-	PMP0139E
Lift pump 0.50M Saginomiya type: PJV1008	-	PMP0050E
Transducer condensat pump for PMP0028E or PMP0027E	-	CPR0010E
Transducer condensat pump for PMP0048E	-	CPR0007E
Float FSB0808-353	-	CPR0008E
Fan coil kit condensat pump	8l/h	KIT1198E
Kit lift pump Sauermann Type: KS2030	-	KIT1225E
Condensat pump kit - FCD	-	KIT1323E
Kit relay + base	230V	RLY0282E
Kit relay + base	24V	RLY0335E
Horizontal drain pan - unitrane2 - FCC taille 01-08 - with isolating	-	PNN0196E
Vertical drain pan - unitrane2 - FCC taille 01-08 - with isolating	-	PNN0197E
Auxiliary drain pan for CWS 95-155	-	PNN0160E

Mechanical control

Part description	Ordering number
Round plastic knob RAL9002	BTN0012E
Summer/winter switch	SWT0198E
Change-over thermostat	THT0106E
3 speeds selector (wallmounted)	SWT0212E
3 speed commutator 3 speed - Type 4RH - Connecting faston	SWT0199E
Control limit 135°F - Type thermdisc 60T13 - closed 105°F - SPDT	CNT01015
Thermostat first stage +6/+33°C - TYPE TY95 - Capillary length 1M - Connector Faston	THT0161E
Safety thermostat electrical coil - Manual reset 148°C 0°/-16°C	THT0175E

Electrical heaters and thermostats



Type	Power (Watt)	Voltage (V)/voltage	Pipe length (mm)	Wire length (mm)	Ordering number
Monotube	530	230	388	700	HTR0177E
Monotube	750	230	588	700	HTR0178E
Monotube	750	230	988	700	HTR0183E
Monotube	980	230	788	700	HTR0179E
Monotube	1530	230	988	700	HTR0180E
Monotube	1970	230	1188	700	HTR0181E
Heater element without bracket	1500/750	230	-	-	HTR0189E
Heater element without bracket	2000/1000	230	-	-	HTR0190E
Thermostat first stage +6/+33°C - Type: TY95	-	-	-	1000	THT0161E
Safety thermostat electrical coil - Manual reset 148°C 0°/-16°C	-	-	-	-	THT0175E

Electrical heater installation kits

Unit type	Unit size	Electrical heater (kW)	Ordering number
Low heat	02	0.53	KIT0596E
Medium heat	02	1.0	KIT0597E
High heat	02	1.6	KIT0598E
Low heat	03	0.75	KIT0599E
Medium heat	03	1.5	KIT0600E
High heat	03	2.25	KIT0601E
Low heat	04	1.0	KIT0602E
Medium heat	04	2.0	KIT0603E
High heat	04	3.0	KIT0604E
Low heat	06	1.5	KIT0605E
Medium heat / Low heat	06 / 11	3.0	KIT0606E
High heat	06	4.5	KIT0607E
Low heat	08	2.0	KIT0608E
Medium heat / Low heat	08 / 12	4.0	KIT0609E
High heat	08	6.0	KIT0610E
Low heat	10	2.5	KIT0611E
Medium heat / Low heat	10 / 14 to 20	5.0	KIT0612E
High heat	10	7.0	KIT0613E
Medium heat	11	6.0	KIT0614E
High heat	11	9.0	KIT0615E
Medium heat	12	8.0	KIT0616E
High heat	12	12.0	KIT0617E
Medium heat	14 to 20	9.5	KIT0618E
High heat	14 to 20	14.5	KIT0619E

Kit detail: Electrical heater(s), thermostats, components and installation manual, and wiring

1 Speed



Type	Power (Kw)	Frame size	Shaft diameter	Power supply	Speed (RPM)	Ordering number
80 L4 B3	0.55	80	19	230-400/50/3	1500	MOT0257E
80 L4 B3	0.75	80	19	230-400/50/3	1500	MOT0290E
90 L4 B3	1.1	90	24	230-400/50/3	1500	MOT0292E
90 L4 B3	1.5	90	24	230-400/50/3	1500	MOT0285E
90 L4 B3	1.8	90	22	230-400/50/3	1500	MOT1131E
100 L4 B3	2.2	100	28	230-400/50/3	1500	MOT0284E
100 L4 B3	3.0	100	28	230-400/50/3	1500	MOT0283E
100 L2 B3	3.0	100	22	230-400/50/3	3000	MOT1132E
112 M4 B3	4.0	112	28	230-400-50-3	1500	MOT0556E
132 S2 B3/V5	4.6	132	28	230-400/50/3	3000	MOT1133E
132 S4 B3	5.5	132	38	230-400/50/3	1500	MOT0918E
132 SU4 B3	5.5	132	38	230-400/50/3	1500	MOT1127E
132 S2- B3	5.5	132	38	230-400/50/3	3000	MOT1134E
132 M4 B3	7.5	132	38	230-400/50/3	1500	MOT0919E
132 M4 B3	7.5	132	38	230-400/50/3	1500	MOT1128E
132 SU2 B3	7.5	132	38	230-400/50/3	3000	MOT1135E
132 M2 B3	9.0	132	38	230-400/50/3	3000	MOT1136E
160 M4 B3	11.0	160	42	380-415/50/3	1500	MOT0437E
160 L4 B3	15.0	160	42	380-415/50/3	1500	MOT0438E
160 L4	15.0	160	42	380-415/50/3	1500	MOT1125E
180 MT4 B3	18.0	180	48	380-415/50/3	1500	MOT0440E
180 L4 B3	22.0	180	55	380-415/50/3	1500	MOT0439E
180 LR4	22.0	180	48	380-415/50/3	1500	MOT1126E
200 L4 B3	30.0	200	55	380-415/50/3	1500	MOT0441E

Motors IP55, Class F, PTO

2 Speeds



Type	Power (Kw)	Frame size	Shaft diameter	Power supply	Speed (RMP)	Ordering number
112 M4/8 B3	4-0.75	112	28	380-415/50/3	1500/750	MOT0357E
132 M4/8 B3	5.5-1.1	132	38	380-415/50/3	1500/750	MOT0358E
132 M4/8 B3	7.5-1.5	132	38	380-415/50/3	1500/750	MOT0359E
160 M4/8 B3	11-2.8	160	42	380-415/50/3	1500/750	MOT0360E
160 L4/8 B3	15-3.8	160	42	380-415/50/3	1500/750	MOT0361E
180 L4/8 B3	18.5-4.8	180	48	380-415/50/3	1500/750	MOT0362E
200 L4/8 B3	21-4.5	200	48	380-415/50/3	1500/750	MOT0627E
200 L4/8 B3	27-7.0	200	55	380-415/50/3	1500/750	MOT0628E
225 M4/8 B3	30.5-8.5	225	60	380-415/50/3	1500/750	MOT0629E

Motors IP55, Class F, PTO

Sheaves and Bushings selection chart according to sheave external diameter

Sheave Diameter (mm)	Belt model number	Sheaves ordering number	Bushing type	Sheave Diameter (mm)	Belt model number	Sheaves ordering number	Bushing type
75	SPZ-1G	SHE0385E	n°1108	75	SPZ-2G	SHE0401E	n°1210
80	SPZ-1G	SHE0386E	n°1210	80	n°1610
85	SPZ-1G	SHE0387E		85	SPZ-2G	SHE0402E	
90	SPZ-1G	SHE0388E		90	SPA-2G	SHE0309E	
95		95	SPZ-2G	SHE0403E	
100	SPZ-1G	SHE0389E	n°1610	100	SPA-2G	SHE0295E	n°2012
	SPA-1G	SHE0338E		100	SPZ-2G	SHE0404E	
106	SPZ-1G	SHE0390E		106	SPZ-2G	SHE0405E	
112	SPA-1G	SHE0339E		112	SPA-2G	SHE0310E	
	SPZ-1G	SHE0391E		112	SPZ-2G	SHE0406E	
118	SPA-1G	SHE0340E		118	SPZ-2G	SHE0407E	
	SPZ-1G	SHE0392E		125	SPA-2G	SHE0351E	
125	SPZ-1G	SHE0393E		125	SPZ-2G	SHE0408E	
	SPA-1G	SHE0341E		132	SPA-2G	SHE0311E	
132	SPZ-1G	SHE0394E		132	SPZ-2G	SHE0316E	
	SPA-1G	SHE0342E		140	SPA-2G	SHE0312E	
140	SPZ-1G	SHE0395E		140	SPB-2G	SHE0362E	
		140	SPZ-2G	SHE0409E	
	SPA-1G	SHE0343E		150	SPA-2G	SHE0352E	
150	SPZ-1G	SHE0396E	150	SPB-2G	SHE0363E		
	150	SPZ-2G	SHE0410E		
	SPA-1G	SHE0344E	160	SPA-2G	SHE0337E		
160	SPZ-1G	SHE0397E	160	SPB-2G	SHE0364E		
	160	SPZ-2G	SHE0411E		
170	SPA-1G	SHE0345E	170	SPB-2G	SHE0365E		
	SPA-1G	SHE0346E	170	SPA-2G	SHE0353E		
180	SPZ-1G	SHE0398E	180	SPB-2G	SHE0366E		
	180	SPZ-2G	SHE0317E		
190	190	SPB-2G	SHE0367E		
	SPA-1G	SHE0347E	190	SPA-2G	SHE0354E		
200	SPZ-1G	SHE0399E	200	SPB-2G	SHE0368E		
	200	SPZ-2G	SHE0318E		
212	212	SPB-2G	SHE0369E		
	212	SPA-2G	SHE0355E		
	SPA-1G	SHE0348E	224	SPB-2G	SHE0370E		
224	SPZ-1G	SHE0400E	224	SPZ-2G	SHE0319E		
	224	SPB-2G	SHE0371E		
236	236	SPA-2G	SHE0313E		
	SPA-1G	SHE0349E	236	SPB-2G	SHE0372E		
250	250	SPZ-2G	SHE0320E		
	250	SPA-2G	SHE0314E		
280	SPA-1G	SHE0350E	280	SPB-2G	SHE0373E		
			280	SPZ-2G	SHE0321E		
			280	SPA-2G	SHE0315E		
			315	SPB-2G	SHE0374E		
			315	SPZ-2G	SHE0412E		

1 GROOVE

2 GROOVES

Sheaves and Bushings selection chart according to sheave external diameter

Sheave Diameter (mm)	Belt model number	Sheaves ordering number	Bushing type	Sheave Diameter (mm)	Belt model number	Sheaves ordering number	Bushing type	
90	SPZ-3G	SHE0322E	n°1610	100	SPA-4G	SHE0356E	n°1610	
95	SPZ-3G	SHE0413E		106	SPA-4G	SHE0357E	n°2012	
100	SPZ-3G	SHE0323E		112	SPA-4G	SHE0358E		
112	SPZ-3G	SHE0414E	112	SPZ-4G	SHE0421E			
118	SPZ-3G	SHE0415E	125	SPZ-4G	SHE0328E			
125	SPA-3G	SHE0429E	n°2012	132	SPA-4G	SHE0359E	n°2517	
132	SPZ-3G	SHE0324E		140	SPA-4G	SHE0360E		
140	SPZ-3G	SHE0416E		140	SPZ-4G	SHE0329E	n°2012	
150	SPB-3G	SHE0375E		n°2517	160	SPZ-4G	SHE0330E	n°2517
160	SPZ-3G	SHE0417E	n°2012	180	SPZ-4G	SHE0331E		
160	SPB-3G	SHE0376E	n°2517	190	SPB-3G	SHE0378E		
170	SPB-3G	SHE0377E	n°2517	200	SPB-3G	SHE0379E		
180	SPZ-3G	SHE0418E	n°2012	200	SPZ-3G	SHE0419E	n°2012	
190	SPB-3G	SHE0378E	n°2517	224	SPB-3G	SHE0380E	n°2517	
200	SPB-3G	SHE0379E		224	SPZ-3G	SHE0325E	n°2012	
200	SPZ-3G	SHE0419E	n°2012	250	SPZ-3G	SHE0326E		
224	SPB-3G	SHE0380E	n°2517	280	SPZ-3G	SHE0327E	n°2517	
224	SPZ-3G	SHE0325E	n°2012	300	SPB-3G	SHE0381E	n°3020	
250	SPZ-3G	SHE0326E		315	SPB-3G	SHE0382E		
280	SPZ-3G	SHE0327E	n°2517	315	SPZ-3G	SHE0420E	n°2517	
300	SPB-3G	SHE0381E	n°3020	355	SPB-3G	SHE0383E	n°3020	
315	SPB-3G	SHE0382E		400	SPB-3G	SHE0384E		
355	SPB-3G	SHE0383E	n°3020	450	SPA-4G	SHE0361E	n°3020	
400	SPB-3G	SHE0384E	n°3020					

3 GROOVES

4 GROOVES

Belts selection chart

SPA			SPB			SPZ		
Length in mm	V Belt	Grooved V Belt	Length in mm	V Belt	Grooved V Belt	Length in mm	V Belt	Grooved V Belt
775	B044E	B258E				660	...	B192E
800	...	B252E				687	...	B193E
850	...	B253E				710	...	B194E
875	...	B254E				730	B160E	...
900	...	B255E				750	B185E	...
925	...	B256E				775	...	B195E
950	B046E	...				800	B109E	B196E
957	...	B223E				825	...	B257E
1000	B158E	...				850	B127E	B198E
1030	...	B247E				875	B156E	B199E
1060	B162E	...				900	...	B200E
1120	B106E	B230E				925	B161E	B201E
1150	B157E	...				950	B108E	...
1180	B140E	...				962	...	B202E
1207	B149E	B229E	1250	B101E	...	975	B105E	...
1232	...	B231E	1280	B089E	...	987	...	B204E
1250	B152E	...	1360	B090E	...	1000	B150E	B205E
1307	B141E	B232E	1500	B155E	...	1030	B135E	B206E
1320	B043E	...	1600	B098E	...	1060	B114E	B207E
1360	B151E	...	1650	B125E	...	1087	B122E	B208E
1382	B137E	B233E	1700	B097E	...	1120	B115E	...
1400	B021E	B234E	1750	B099E	...	1125	...	B210E
1450	B144E	B235E	1800	B096E	...	1150	B187E	B211E
1500	B040E	...	1850	B146E	...	1180	...	B213E
1557	B176E	...	1900	...	B240E	1212	...	B214E
1600	B047E	...	1950	B129E	...	1220	B186E	...
1700	B042E	...	2000	...	B241E	1250	B116E	B217E
1800	B038E	...	2060	B130E	...	1280	...	B218E
1900	B041E	...	2120	B093E	...	1320	B107E	B226E
2000	B048E	...	2180	B168E	...	1360	B124E	B269E
2120	B050E	...	2240	...	B242E	1400	B133E	B164E
2240	B052E	B172E	2300	B088E	...	1450	...	B222E
2360	B037E	B173E	2360	...	B243E	1500	B120E	B227E
2500	B055E	B174E	2430	B087E	...	1550	B083E	B165E
2650	B056E	...	2500	...	B244E	1650	B126E	...
2720	B139E	...	2650	B073E	B250E	1700	B154E	...
2800	B057E	...	2800	B102E	B251E	1750	B153E	...
			2900	B086E	...	1800	B147E	...
			3000	B104E	...	1850	...	B236E
			3150	B077E	...	1900	...	B237E
			3250	B078E	...	1950	...	B238E
			3450	B079E	...	2000	...	B239E
						2120	...	B245E
						2240	B189E	B170E
						2360	B188E	B171E
						2500	...	B246E
						2650	...	B248E
						2800	...	B249E

... : Contact your Trane representative

Bushings selection chart

Bore diameter (mm)	Trane ordering number					
	<i>Bushing type N° 1108</i>	<i>Bushing type N°1210</i>	<i>Bushing type N° 1610</i>	<i>Bushing type N° 2012</i>	<i>Bushing type N° 2517</i>	<i>Bushing type N° 3020</i>
14	BUS0145E	BUS0152E	BUS0160E	BUS0168E		
16	BUS0146E	BUS0153E	BUS0161E	BUS0169E		
19	BUS0147E	BUS0154E	BUS0162E	BUS0170E	BUS0178E	
20	BUS0148E	BUS0155E	BUS0163E	BUS0171E	BUS0179E	
24	BUS0149E	BUS0156E	BUS0130E	BUS0172E	BUS0180E	
25	BUS0150E	BUS0157E	BUS0129E	BUS0139E		BUS0189E
28	BUS0151E	BUS0158E	BUS0138E	BUS0173E	BUS0181E	BUS0190E
30		BUS0159E	BUS0164E	BUS0174E	BUS0182E	BUS0191E
35			BUS0165E	BUS0175E	BUS0135E	BUS0192E
38			BUS0133E	BUS0144E	BUS0183E	BUS0193E
40			BUS0166E	BUS0140E	BUS0136E	BUS0194E
42			BUS0167E	BUS0134E	BUS0184E	BUS0195E
45				BUS0176E	BUS0185E	BUS0196E
48				BUS0141E	BUS0142E	BUS0197E
50					BUS0143E	BUS0198E
55					BUS0186E	BUS0199E
60					BUS0187E	BUS0200E
65					BUS0188E	BUS0201E
70						BUS0202E
75						BUS0203E

Accessories



KIT03033

Description	Ordering number
Kit ignitor burner gas	KIT03033
Sheave idler V-belt - bore dia 9.5	SHE0441E
Control module including adapter	KIT08282
Temperature controller - Open 66F - Close 26F - SPST	CNT04672
Condenser Motor - 0.75 Kw - 400-460/50/1 - Type : 5KCP39SFL153CS - 1125/0950 RPM - vertical mounting	MOT05717
Motor 0.75/1 HP - 380-415/50-60/1 - 950/1125 RPM	MOT09192
Motor 3.70 kw - 208-460/50-60/3 - Type SC - Reversible rotation	MOT03765
Slinger - dia .50"	SLG00056
Slinger motor cover - dia 7.0 x 1.84 DEEP	SLG00123
Module unitary control - processor OTP	MOD01802
IGN card - Reliatel box	MOD01393
Module Reliatel Refrigeration Version 10.0 - Dual circuit - cool/HP - Rooftop V3	MOD01848
interface board thermostat - Type BAYCTHIO-01C-C	BRD00741
Defrost control - DFM - Module UCP (WCD, WCH...)	BRD00742
Bearing, rubber, cushioned - 0.75 bore, permanently lubed, set screw locking device	BRG01578
Bearing, cartridge, ball 1.0 bore	BRG00740
Kit burner fan 1/10 HP - 208-230/60/1 - 3500/3000 RPM	KIT02591
Valve check - 1/2" ID / 1/2" OD - Lg 117 mm	VAL02189

Rooftop kits



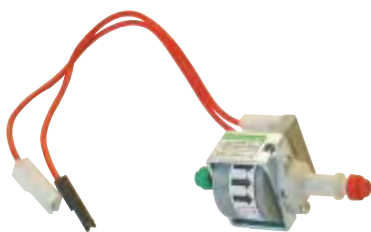
Unit type	Unit size	Description	Kit components	Ordering number
All	All	Kit syphon	Syphon, threaded tubes, connection, assembly drawing	KIT0564E
All	All	Kit fire thermostat	Thermostat, components for assembly and wiring	KIT0567E
All	All	Kit clogged filter detector	Detector, switch, components for assembly and wiring	KIT0569E
V1	060	Electrical coil 17.4 Kw	Electrical heater, contactors, components for assembly and wiring, wiring diagrams	KIT1019E
V1	072 - 090	Electrical coil 27.0 kW - downflow	Electrical heater, contactors, components for assembly and wiring, wiring diagrams	KIT1020E
V1	102 - 120	Electrical coil 36.0 Kw	Electrical heater, contactors, components for assembly and wiring, wiring diagrams	KIT1021E
V1	072 - 090	Electrical coil 27.0 Kw - horizontal flow	Electrical heater, contactors, components for assembly and wiring, wiring diagrams	KIT1022E
V3	275 - 500	Kit speed variator 5.5 Kw with textil duct	Speed variator, switch, components for assembly and wiring	KIT1290E
V3	275 - 500	Kit speed variator 7.5 Kw with textil duct	Speed variator, switch, components for assembly and wiring	KIT1291E
V3	350 - 500	Kit speed variator 11.0 Kw with textil duct	Speed variator, switch, components for assembly and wiring	KIT1292E
V3	400 / 500	Kit speed variator 15.0 Kw with textil duct	Speed variator, switch, components for assembly and wiring	KIT1293E
V3	275 - 500	Kit speed variator 5.5 Kw	Speed variator, switch, components for assembly and wiring	KIT1081E
V3	275 - 500	Kit speed variator 7.5 Kw	Speed variator, switch, components for assembly and wiring	KIT1082E
V3	350 - 500	Kit speed variator 11.0 Kw	Speed variator, switch, components for assembly and wiring	KIT1083E
V3	400 / 500	Kit speed variator 15.0 Kw	Speed variator, switch, components for assembly and wiring	KIT1084E
All	All	Kit fault relay	Fault relay, communication card, module, components for assembly and wiring	KIT1390E
All	All	Option relay balanced phase - R407C	Relay, fuse and fuse holder	OPT0313E

Hydraulic module pump



Model number	Nb pôles	Speed (RPM)	Hydraulic module	Type	Ordering number
JRL 203 - 16/1-1	2	2900	HDM 1.1 + 150D + 200D	Double	PMP0103E
JRL 204 - 13/2.2	2	2900	HDM 2.2	Double	PMP0096E
JRL 205 - 15/4	-	2890	-	Double	PMP0108E
JRN 206 - 13/5.5	-	2900	-	Double	PMP0110E
JRN 208 - 13/5.5	-	2900	-	Double	PMP0126E
LRL 203 - 16/1-1	2	2900	HDM 1.1 + 150D + 200S	Simple	PMP0093E
LRL 204 - 13/2.2	2	2900	HDM 2.2	Simple	PMP0095E
LRL 205 - 15/4	-	2890	-	Simple	PMP0107E
SHC20 - 134	-	2900	-	Simple	PMP0134E
Hydroson 402T	-	2900	Not self priming pump	-	PMP0065E

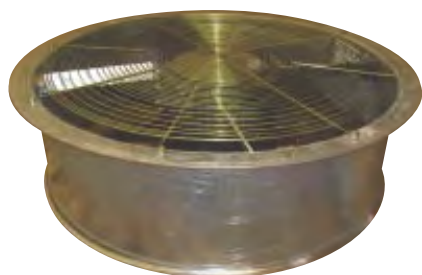
Condensat pumps



Description	Unit	Ordering number
Kit retrofit centrifugal pump - Cassette IMI	CWS	KIT0522E
Condensat pump cassette CWS 5M	CWS	PMP0048E

Replacement pump kit EUR062T - VGA - VXA : PMP0065E + ADP0023E + VAL0383E + VAL01483 + BUS0137E

Trane units fan motors

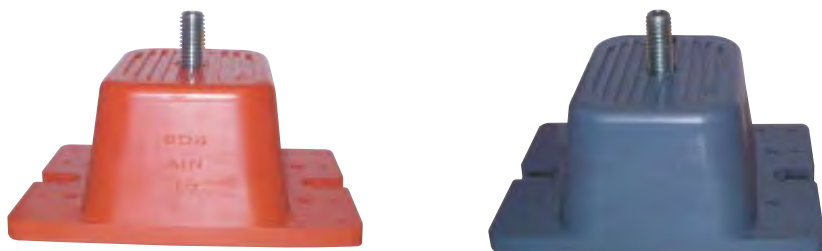


Family	Type	Dia [mm]	Voltage [V]	Fixing	Speed [RPM]	Power [kW]	Ordering number
Kit connector femelle - Fan motor GPF	-	-	-	Cable length 13 m	-	-	KIT1043E
Kit connector femelle - Fan motor GPF	-	-	-	Cable length 19 m	-	-	KIT1185E
Kit connector femelle - Fan motor GPF	-	-	-	Cable length 1 m	-	-	KIT1109E
Scroll/Screw	GPF	762	380-420	Below plate	915 / 730	1.90 / 0.85	MOT0896E
Scroll/Screw	GPF	762	380-420	Below plate	690 / 560	0.80 / 0.50	MOT0897E
Scroll/Screw	GPF	762	380-420	Above plate	915 / 730	1.90 / 0.85	MOT0898E
Scroll/Screw	GPF	762	380-420	Above plate	690 / 560	0.80 / 0.50	MOT0899E
Unitary	4PR35	560	220-380	-	1000	0.47	MOT0619E
Scroll - Aquastream2	FE071	792	380	Above plate	680 / 510	0.42 / 0.30	FAN0304E
Scroll - Aquastream2	FE080	907	380	Above plate	680 / 530	1.05 / 0.77	FAN0305E
Scroll - Aquastream2	S710	710	380	Above plate	680 / 530	0.38 / 0.155	MOT0949E
Scroll - Aquastream2	S710	710	400	Above plate	900 / 700	1.00 / 0.55	MOT0950E
Scroll - Aquastream2	S800	800	380	-	700 / 550	1.00 / 0.40	MOT0964E
Recip.	4PB35	762	380-415	-	780 / 530	0.86 / 0.295	MOT0663E
CGAF Recip.	4PB35	762	380-415	-	1000 / 750	1.90 / 1.30	MOT0667E
CGAB - CGAD	4PR30	650	220-380	Below plate	1000	0.83	MOT0260E
CXAA	4PR30	650	220-380	Below plate	650	0.54	MOT0572E
CXAA	4PR30	650	220-380	Below plate	750	0.54	MOT0573E
CXAA	4PR30	650	220-380	Below plate	1000	1.40	MOT0302E
CGAV - CGAF	6PR24	650	220-380	Below plate	1500	1.10	MOT0659E
CGAB - 9 - 58 KW	4PR20	560	220-380	-	1000	0.27	MOT0618E
CGAB - 9 - 58 KW	4PR35	560	220-380	-	1000	0.47	MOT0619E
-	4PR35	650	380-415	-	770	0.75	MOT0735E
RTAC-RTAD	GPF1B	762	380-415	-	915 / 730	-	MOT1007E
RTAC-RTAD	GPF1B	762	380-415	-	915 / 730	-	MOT1009E
RTAC-RTAD	GPF1B	762	380-415	-	690 / 560	-	MOT1010E
RTAC-RTAD	CLIMA-FAN	762	380-415	-	935 / 740	1.70 / 0.85	MOT1011E

Cassette fan motors

Description	Unit	Size	Design	Ordering number
Kit motor-fan	CAS	524 à 048	-	KIT0521E
Kit motor-fan	CWS	430 à 450	-	KIT0521E
Kit motor-fan	CAS	518	-	KIT0565E
Kit motor-fan	CWS	409	-	KIT0565E
Kit motor + fan+ guard	CWS	600 / 25-45-65	AA00A/AA00B	ASS0155E
Motor	CWS	600 / 25-45-65	-	MOT0977E
Grid outlet plenum	CWS	600	-	GRL0023E
Kit plenum + grid	CWS	600 / 25-45-65	From AA00E	ASS0161E
Fan	CWS	600 / 25-45-65	-	FAN0316E
Motor assembly + grid + capacitor	CWS	875 / 95-135-155	AA00A	ASS0166E
Motor	CWS	875 / 95-135-155	-	MOT0978E
Grid assembly	CWS	875 / 95-135-155	From AA00B	COLO308E
Fan	CWS	875 / 95-135-155	-	FAN0313E

Neopren isolators and spring mount vibration



Model number	Type	Color	Ordering number
CP 1D-900	Spring mount vibration	Green	MNT00368
CP 1D-1200	Spring mount vibration	Grey	MNT00369
CP 1D-1360	Spring mount vibration	White	MNT00400
C2P 1D-1350	Spring mount vibration	Purple	MNT00403
C2P 1D-1800	Spring mount vibration	Green	MNT00405
C2P 1D-2400	Spring mount vibration	Grey	MNT00406
C2P 1D-2720	Spring mount vibration	White	MNT00407
RDP-3	Mount Neopren isolator	Green	MNT00620
RDP-3	Mount Neopren isolator	Grey	MNT00621
RDP-4	Mount Neopren isolator	Black/brown	MNT00622
RDP-4	Mount Neopren isolator	Red	MNT00645
RDP-4	Mount Neopren isolator	Green	MNT00646
RDP-4	Mount Neopren isolator	Grey	MNT00647

Trane units remote control



CNT0272E



CNT0117E



CNT0271E

Units	Type	Cable length	Ordering number
HWD	Infrared	-	CNT0117E
HWD	Wired	1 m	CNT0116E
Cassette	Infrared	-	CNT0130E
Receiver	Infrared	-	CNT0271E
-	Infrared	-	CNT0272E
			CNT06619
Adhesif label - Cooling only	-	-	LBL0031E
Adhesif label - Reversing units	-	-	LBL0032E

Diablo

Model number	Direct liquid (Kg/min) (R22)	Steam flow (Kg/min) (R22)	Push-Pull (Kg/min) (R22)	Weight (Kg)	Motor (Hp)	Power supply (V/Hz/Ph)	Dimensions	Ordering number
Diablo	3.5	0.34	8.02	20.9	0.5	230/60/1-220/50/1	406x254x330	TOL03084

Handi Vac



Model number	Motor (hp)	Direct liquid (Kg/h) (R22)	Vapor rate (Kg/h) (R22)	Push/Pull (kg/h) (R22)	Weight (Kg)	Connection (inches)	Power supply (V/Hz/Ph)	Dimensions	Ordering number
RTO-500-240-F	Dual 0.5	212.47	16.8	681	28.6	3/8"-1/4"	220-230/50-60/1	450 X 250 X 400	TOL01145

TOOLS

ACCESSORIES

Tools for screw units control



Description	Use	Ordering number
Tool screwdriver magnet	-	TOL01343
Cable assembly multi-connector	IPC BUS with connectors	CAB00896
Flat Cable 4 wires- Roll 152 m (500 ft)	RTAC - RTHD - CVGF	CAB00905
Cap end for flat cable	-	CAP00876
Kit butterfly connector	-	CON01166



Automatic leak detector

An essential addition to your system

The regulatory, environmental and economic conditions of our industrial situation are subject to deep and rapid changes.

Operating cost controls and compliance with new regulations are essential for the optimal management of your system.

Trane offers a complete range of highly modular environmental controllers suited to air conditioning systems.

F-GAS regulation

The European regulation EC No 842/2006, which came into force on 4 July 2007, aims to cut emissions of certain fluorinated gases that contribute to the greenhouse effect, including refrigerating fluids.

This regulation imposes regular inspections in order to check cooling systems for leaks.

For all cooling systems containing at least 300 kg of refrigerant fluid, it also requires the installation of a fixed refrigerant detector or an environmental controller.

Moreover, the use of leak detectors can divide twofold the frequency of mandatory inspections, irrespective of the size of the cooling system.

Why use an automatic leak detector?

- To meet the demands of the European F-Gaz regulation
- To protect the environment by combating global warming and the reduction of the ozone layer
- To optimize maintenance and operating costs
- To avoid costly repairs that are made more expensive by the rise of refrigerant gases
- To keep your equipment reliable

Specifications

- Management of one or more refrigerants: applicable to R22/R134a/R404A/R407C
- Up to 6 detection channels with two levels of sensitivity
- Manual or automatic reset
- Different alarms included: visual, audible, relays
- Power supply: 230 V / 120 V - 50 hz / 60 hz
- Easy to install, use and maintain
- Excellent value for money

Trane also offers other types of environmental controllers for industrial applications and for large plant rooms.

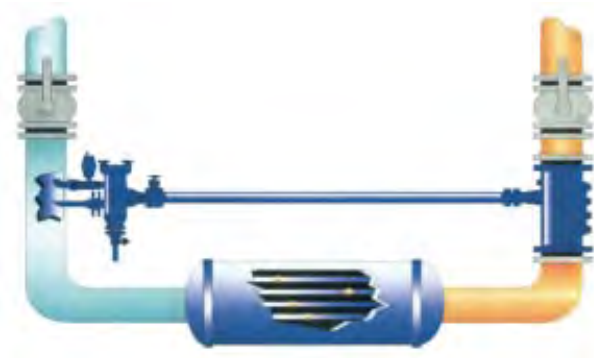
For more information, contact your nearest Trane representative.

Stand alone refrigerant leak detector systems



Part description	Refrigerant	Channels	Ordering number
Monitors	-	2	MOD0156E
Monitors	-	4	MOD0157E
Monitors	-	6	MOD0158E
Sensors	R134a	-	SEN0117E
Sensors	R22	-	SEN0118E
Sensors	R404A	-	SEN0119E
Sensors	R407C	-	SEN0120E

Automatic tube cleaning system



Model	Ordering number
BKS-3"	TOL0088E
BKS-4"	TOL0089E
BKS-6"	TOL0090E
BHS-3"	TOL0091E
BHS-4"	TOL0092E
BHS-5"	TOL0093E
BHS-6"	TOL0094E
BHS-8"	TOL0095E
BMS-5"	TOL0096E
BMS-6"	TOL0097E
BMS-8"	TOL0098E
BMS-10"	TOL0099E
BMS-12"	TOL0100E
BLS-5"	TOL0101E
BLS-6"	TOL0102E
BLS-8"	TOL0103E
BLS-10"	TOL0104E
BLS-12"	TOL0105E
BLS-14"	TOL0106E
BIS-8"	TOL0107E
BIS-10"	TOL0108E
BIS-12"	TOL0109E
BIS-14"	TOL0110E
BIS-16"	TOL0111E
BIS-18"	TOL0112E
BNS-10"	TOL0113E
BOS-10"	TOL0114E

Contact your Trane representative for selection.

Spare parts for hydromechanical system



Part description	Ordering number
Injector Cover	TOL0115E
Injector Cover Oring	TOL0116E
Check Valve	TOL0117E
Check Valve Door's seal	TOL0118E
Check Valve Oring	TOL0119E
Injector's Butterfly Nut	TOL0120E
Injector's Stainless Washer	TOL0121E
Service Cover's Oring	TOL0122E
1 1/2" Electrical Valve (Butterfly Valve)	TOL0123E
2" Electrical Valve (Butterfly Valve)	TOL0124E
Complete PLC type E1010	TOL0125E
Programmed EPROM	TOL0126E
Fuse	TOL0127E
Sponge Ball	TOL0128E
Sponge Ball - 15mm	TOL0129E
Sponge Ball - 16mm	TOL0130E
Sponge Ball - 18mm	TOL0131E
Sponge Ball - 21mm	TOL0132E
Sponge Ball - 22mm	TOL0133E



Customer benefits

- Optimized equipment performance
- Protected investments

Main features

Real estate owners and enterprises in every sector are faced with new challenges and a world that is constantly changing in terms of:

- Innovation
- Reorganization
- Standards
- New priorities

We are here to help you restore and modernize your HVAC system so that it meets your building needs.

Irrespective of the condition of your equipment with regard to its expected life time, Trane Care™ Services can renovate and modernize your system so that it works as well as possible, day after day and for a long time:

- Renewal services
- Technological upgrades
- Advice on replacement/repairs

Trane can improve your systems so that they become profitable in terms of reliability, energy savings and environmental performance.

An upgrade of your HVAC system by Trane Care™ Services will result in optimal performance:

- Indoor air quality
- Reduced operating costs
- Extended life time of the equipment
- Compliance with local and environmental regulations

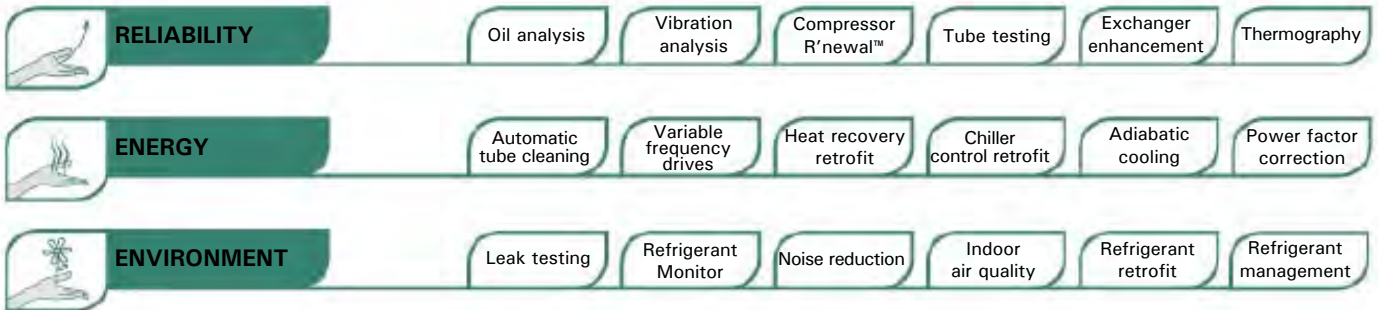
We share the same goal: to make your activity successful.

Trane Care™ Services

HVAC service solutions for high-performance buildings



The Trane Care™ Services offer



Upgrade the performance of your system

Trane Care™ Services integrate Trane's entire portfolio of service products into customized solutions for building owners addressing operating efficiency and facility infrastructure concerns. Because a building and all its equipment should always remain an asset, Trane Care™ Services first objective is to offer property managers the opportunity to turn their cooling systems into highly efficient installations.

To allow you to have a true picture of your installation condition, Trane proposes a fast diagnosis of your existing system. Trane manages the project and monitors the results.

We also understand that upgrading your HVAC system may not always be the best solution, in which case we also have the capability to offer replacement options.

Trane Care™ Services optimize the reliability of your equipment

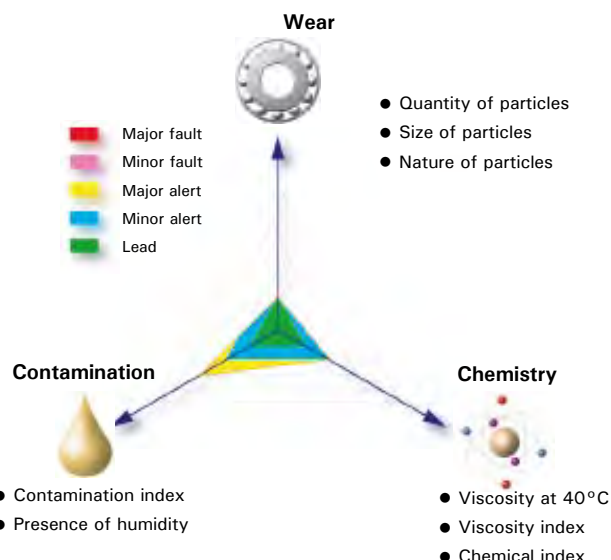
Our experts can find out where and why your HVAC system does not work at optimal capacity and propose solutions that will restore reliability equivalent to a new system.

Oil analysis

Measures the oil's moisture, acidity, and metal concentration levels. If unacceptable wear conditions develop, a change in the characteristics of the oil will be evident. Minor problems can be detected and repaired before they become major problems. This analysis is recommended for all compressor types, on all types of chiller technology.

Our specialists provide a bill of health of your system using the Tribology method:

- 3 paths of research
- 5 levels of alarms

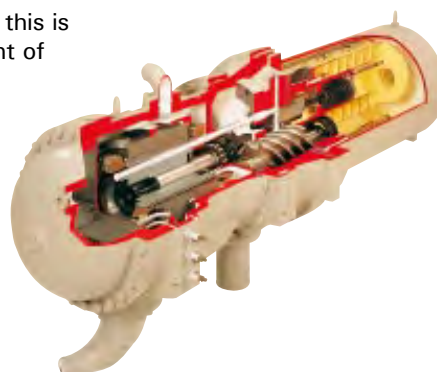


Vibration Analysis

Every piece of HVAC equipment with rotating components has its own vibration signature. If a problem occurs, the signature of the vibrations changes. These variations can be used to identify developing problems (bearing wear, shaft imbalance, loose screws, etc.). Significant savings can be made on major repairs amounting to as much as 50% of the cost of replacing a compressor.

Compressor R'newal™

Renew... to become new or as new; to begin again - this is what Trane can do for the most expensive component of your chiller. Compressor R'newal™ is an investment that will deliver Trane's original commitment of reliability and performance. It is backed by a long term warranty on the compressor. Also any chiller that undergoes a compressor R'newal™ will automatically qualify for coverage on a Trane Select™ Contract, which further enhances your level of assurance.



HVAC service solutions for high-performance buildings



Tube Testing

The condition of the tubes in heat exchangers has a direct impact on the efficiency of your cooler.

Depending on its size, a heat exchanger can contain hundreds or thousands of tubes that are subject to mechanical stress and chemical corrosion. Tubular exchangers make an essential contribution to the performance of a cooler. But standard maintenance techniques are inefficient when it comes to testing the tube bundles.

Equipped with the latest technological tools, Trane can detect, locate and record internal and external corrosion, deposits, wear or cracking before their consequences start to damage your installation.

This Eddy current tube analysis takes the shape of a detailed report containing all the data, photographs of defective zones and, more importantly, recommendations on the technical actions and practices required to correct the situation.

Exchanger Enhancement

Atmospheric pollution can cause corrosion on fin tube heat exchangers, which will result in reduced equipment life. Trane can enhance your fin tube heat exchangers to provide protection against corrosion whilst maintaining their original performance. In addition, on shell and tube type heat exchangers, Trane can provide ceramic coating to water boxes to reduce the formation of dangerous scales and corrosion.



Thermography

Trane Thermography is a predictive tool to identify potential problems before they happen. It is a proven way to detect and diagnose problems in a completely non-invasive manner while your plant is in operation.

Early detection allows to reduce failure detection time in order to have more time for appropriate maintenance.

- Thermal imaging is the non-contact detection and measurement of thermal energy emitted from an object.
- Thermal imagers allow you to easily inspect electrical equipment, electrical circuits, mechanical equipment, electronics, and other applications.

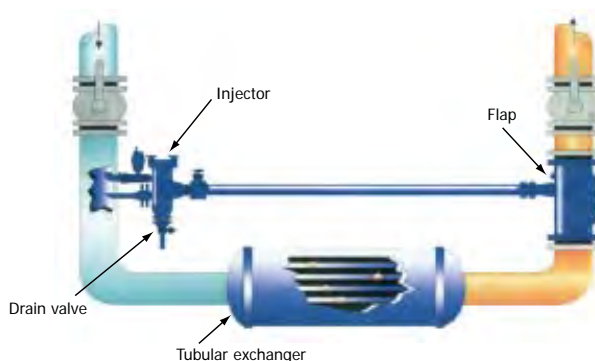
Trane Care™ Services enhance energy use

Trane Care™ Services propose economic solutions to enhance the energy performance of your system and to make immediate savings.

Automatic Tube Cleaning

Fouled heat exchangers can decrease system effectiveness dramatically, for instance just 1 mm of scale can

result in a 45% reduction in efficiency. For this reason, all properly maintained heat exchangers are cleaned regularly. Imagine a system that cleans your exchangers while they are working. Trane can provide you with such a system, this ensures that your system always operates at peak efficiency and will save on maintenance costs and downtime.



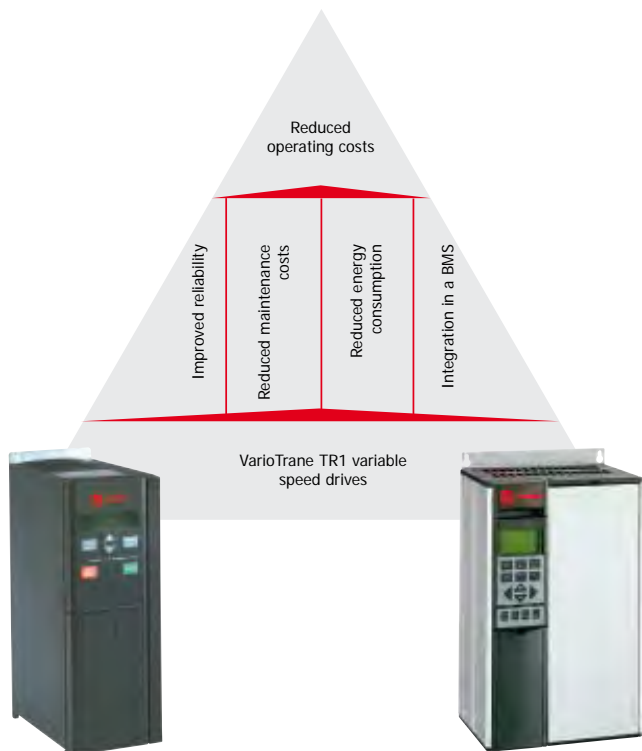
Variable Frequency Drives

An easy way to cut right into an energy bill is to adapt the motor speed of the fans and pumps that are components of your

system. Buildings do not face the same loads 24/7 so why should fans and pumps always run at the same speed? Trane can retrofit existing fans and pumps with variable frequency drives so that their speed will adjust to the exact needs and load of your building and in return reduce energy use.

Built into a BMS, the VarioTrane variable frequency drives provide a complete solution for all applications:

- Lower sound level
- More precise regulation
- Flow adjustment without TA valve
- Sustained flow despite filter clogging



Trane Care™ Services

HVAC service solutions for high-performance buildings



Heat Recovery Retrofit

Letting waste heat from air cooled chillers escape into the atmosphere is akin to throwing money away.

Trane can retrofit your existing air cooled chiller so that the waste heat is recovered and reused to heat or preheat water used for either domestic hot water or process applications.

Chiller Control Retrofit

The Trane Tracer AdaptiView™ upgrade improves your operator productivity, increases chiller operation efficiency, gives you the same operator interface on your old and new chillers, and supports new communication protocol -all backed by Trane.

Built on the reputation and reliability of the Trane centrifugal chiller, this innovation enhances new or legacy Trane chillers with an easy to use color graphic display and advanced control technology.

- Large, full-color touch screen for fingertip control of chiller subsystems
- Instant access to operational data for faster issue analysis and resolution
- At-a-glance status updates readily display key operating parameters
- Easy-to-read trending charts and diagnostic reports help fine tune chiller control
- Industry-leading algorithms optimize control during rapidly changing conditions
- Adjustable arm and tilt screen for better viewing
- Opened protocols: BACnet, MSTP Lontalk, Comm4, Modbus Slave
- Optional cover UV IP56 available for outdoor usage



HVAC service solutions for high-performance buildings



Adiabatic Cooling

Adiabatic cooling reduces the temperature of the air entering the coil, facilitating improvement of equipment reliability and efficiency.

The concept is based on the natural thermodynamic properties of water. Water is sprayed intermittently onto large non-metallic mesh panels installed in front of the heat rejection coils of chillers, remote condensers, rooftops, etc.

The evaporating water creates the cooling effect, lowering the air temperature before it reaches the condenser coil. The system is designed for versatility, simple installation and economical operation.

Power Factor Correction

Utility companies often impose an economic penalty on customers with low power factors as they must generate and supply surplus current.

This increases the energy costs.

By installing Trane factory designed capacitor panel directly on the chiller the power factor is improved.

Trane Power Factor Correction is the environmentally responsible, green solution that will help you:

- Reduce your energy costs
- Increase your system distribution capacity
- Improve power quality
- Achieve a greener system
- Comply with local regulation



Trane Care™ Services protect the environment

Trane Care™ Services offer solutions that reduce building and system impacts on the environment and human health.

Leak Testing

Refrigerant leaks into the atmosphere may contribute not only to ozone depleting but to global warming effects. Trane's leak testing

procedures can ensure that your system's refrigerant stays where it belongs, in the system. With Trane leak testing you are not only protecting the environment but also the effectiveness of your system; in addition it will help you to remain in compliance with relevant laws and regulations.

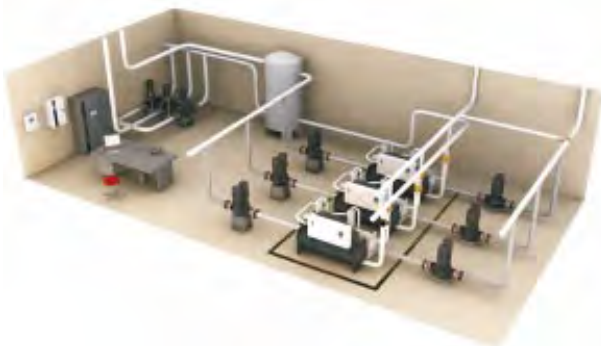


Refrigerant Monitor

The range of Trane refrigerant monitors provide reliable leak detection for equipment in mechanical plant rooms and give early warning of refrigerant leaks. Trane refrigerant monitors are designed to operate in conjunction with Trane equipment controls and send remote alarms and even activate building ventilation systems.

Trane refrigerant monitors can control your environment and meet applicable regulations:

- Mono- and multi-fluid detection.
- Visual and audible alerts.
- Possibility of using remotely controlled alarm relays.



HVAC service solutions for high-performance buildings

Noise Reduction

Sometime between the initial purchase of your system and the need to replace it the sound attenuation level required may change. Trane can provide noise retrofit kits for most Trane chillers, this reduces their noise levels and as such improves the surrounding acoustics.



Indoor Air Quality

Good IAQ contributes to a safe, healthy, productive, and comfortable working environment. To maximize occupant comfort and your building rental/selling value, Trane IAQ program provides efficient filtration, ventilation, contaminant source control, and humidity management.

Refrigerant retrofit

Trane refrigerant retrofit is a comprehensive refrigerant compatibility service consisting of materials, engineering analysis and technical support. A refrigerant retrofit allows the chiller to be compliant with current legislation and to be optimized to meet your current system needs without having to go through the costs associated with full chiller replacement.



Refrigerant management

We recognize that the choice of management is not always easy as several factors have to be considered and balanced in order to make the right decision. Trane is committed to providing our customers with equipment and systems that are environmentally responsible and good for business. Trane service representatives are experts in offering the right refrigerant for the right application at the right time, while keeping with all legislations.

Trane Controls Services

Comprehensive service contracts for building controls systems



Customer benefits

Maintaining 100% Fitness

- Ensure system reliability
- Contain operational costs
- Avoid waste and losses
- Comply with environmental regulations
- Gain the needed peace of mind to focus on your core business or activity

Main features

When your HVAC system is first installed and fine-tuned it is 100% fit to provide the comfort, efficiency and safety levels that you require.

But over time, your physical plant manager and others will make a myriad of tiny adjustments, which all seem perfectly reasonable at the time, but they may amount to a completely different system configuration. One

that no longer answers your requirements and creates inefficiencies.

What's more, all these tiny adjustments can cause unnecessary mechanical wear on your HVAC equipment.

To make the right programming adjustments, someone must understand how all the components of your system interact...how, for example, a change in chilled water setpoint will affect the pumping energy used, or how a change in a temperature setpoint will affect humidity and ventilation rates.

That's how Trane's expertise can play a vital role. By regularly reviewing your HVAC system's programming and operating history (through Trane Controls Services) we can help ensure that your system maintains its designed comfort level and is always up to date with your current needs - operating as efficiently as possible. In short we can maintain its 100% fitness. And you have the peace of mind that it's all going according to plan.

And it's all part of the Trane commitment to make buildings work better for life.



Customer benefits

Our Technical Specialists get to the core of the matter – faster

- Trane Intelligent Services combine the power of our advanced remote monitoring facility with the knowledge of Trane Technical Specialists. It's an effective and affordable way to look after your HVAC equipment 24/7.
- You define the level of service
We'll work with you individually to establish critical points, appropriate parameters, actions and procedures.
- Reduce risk. Control costs
Trane Intelligent Services helps minimize the occurrence and severity of system failures through early detection of alarms and performance issues. With automated monitoring that's always on, and Technical Specialists watching non-stop, nothing slips by unnoticed.

Main features

Three layer offering

- Alarm Notification
Basic connectivity to Trane comes as a standard for all Trane service contracts customers
- Active Monitoring
Provides the benefits of Get Connected plus alarm management, timely diagnosis and intelligent mobilization of local resources.
- Building Performance
Provides the benefits of Active Monitoring plus open gateway to Trane expertise and recommendation to keep your building operating at peak efficiency.



Customer benefits

Contingency cooling

Trane Rental Services can provide fast, safe and cost-effective solutions using modern and reliable equipment.

- **Fast**

Because speed of unit installation can be extremely important to your business, all Trane rental equipment has been fitted with enhancements that save installation time.

- **Safe and reliable**

Whilst getting your system up and running is of utmost importance to your operation, safety and reliability of the equipment provided are equally important. You can depend on Trane modern equipment.

- **Cost-effective**

Whatever the application, Trane can provide a cost-effective temporary cooling solution for your organization until you are able to repair or replace your existing equipment

Main features

Rental applications

- **Planned service work**

Eliminates the time pressure associated with getting your primary HVAC system back on line.

A rental system can provide continuous cooling during equipment change-outs or planned maintenance.

- **Seasonal capacity needs**

Provides additional cooling for those times when your facility's cooling loads exceed your current system's capacity.

- **Emergencies**

Gets your HVAC system back up quickly in case of a natural disaster or unexpected equipment failure.

- **Specialty events**

Provides cooling for a special occasion.

Trane's temporary chillers and on site services are available for exhibitions, ice skating rinks, and other special events.

Become an expert



For additional information, contact:

Trane Academy
Société TRANE
1 rue des Amériques
88190 GOLBEY
France

Tel. : +33 (0)3 29 31 79 21
Fax: +33 (0)3 29 31 76 80
Email: Francis_Pierre@trane.com

Expertise within your reach

In response to our customers' needs, Trane Academy offers **modular and progressive courses** that cover every aspect of air conditioning and refrigeration.

The subjects covered range from high-capacity **liquid chillers** to low-capacity air conditioning systems, plus **air handling systems and terminals**.

There is a clear focus on **regulation, new technologies and equipment operation**.

Made-to-measure courses can be designed on demand in addition to the sessions available in our yearly calendar. In this case, the location is selected in order to provide the means required, either on site at the Trane Academy on the production site in Golbey or on one of the other sites, such as Dardilly.

Trane Academy is located close to the production sites, test labs and design offices, which means that it benefits from the skills and experience of our engineers tasked with developing and monitoring our units.

All the courses are permanently updated and supplemented by practical exercises on products and simulators. Extensive training resources are available to trainees in order to quickly learn all the technologies that are a part of our business. Courses and tests are run by a team of permanent staff members.

Trainees receive complete documentation at the start of the courses.

A certificate is awarded at the end of each course. Our organisation is officially registered, so all our courses qualify for further training programs.

Part number index

Part number	Page	Part number	Page	Part number	Page	Part number	Page
ADP00012	40	B171E	146	BKR0078E	54	BRG00046	43
ADP00082	43	B172E	146	BKR0082E	54	BRG00066	43
ADP0063E	63, 65	B173E	146	BKR0084E	55	BRG00289	39
ANL0006E	109	B174E	146	BKR0088E	54	BRG00290	39
ANL0008E	109	B176E	146	BKR0089E	54	BRG00740	148
ASS0150Z	42	B185E	146	BKR0090E	54	BRG01174	43
ASS0155E	152	B186E	146	BKR0091E	54	BRG01578	148
ASS0161E	152	B187E	146	BKR0092E	54	BRK0076E	137
ASS0166E	152	B188E	146	BKR0093E	54	BRK0081E	119
B021E	146	B189E	146	BKR0094E	54	BTN0012E	141
B037E	146	B192E	146	BKR0095E	54	BUS0129E	147
B038E	146	B193E	146	BKR0096E	54	BUS0130E	147
B040E	146	B194E	146	BKR0097E	54	BUS0133E	147
B041E	146	B195E	146	BKR0101E	55	BUS0134E	147
B042E	146	B196E	146	BKR0103E	54	BUS0135E	147
B043E	146	B198E	146	BKR0104E	54	BUS0136E	147
B044E	146	B199E	146	BKR0105E	54	BUS0138E	147
B046E	146	B200E	146	BKR0106E	54	BUS0139E	147
B047E	146	B201E	146	BKR0108E	55	BUS0140E	147
B048E	146	B202E	146	BKR0109E	55	BUS0141E	147
B050E	146	B204E	146	BKR0111E	55	BUS0142E	147
B052E	146	B205E	146	BKR0112E	55	BUS0143E	147
B055E	146	B206E	146	BKR0118E	55	BUS0144E	147
B056E	146	B207E	146	BKR0120E	55	BUS0145E	147
B057E	146	B208E	146	BKR0121E	55	BUS0146E	147
B073E	146	B210E	146	BKR0125E	54	BUS0147E	147
B077E	146	B211E	146	BKR0126E	54	BUS0148E	147
B078E	146	B213E	146	BKR0127E	54	BUS0149E	147
B079E	146	B214E	146	BKR0128E	54	BUS0150E	147
B083E	146	B217E	146	BKR0129E	54	BUS0151E	147
B086E	146	B218E	146	BKR0134E	55	BUS0152E	147
B087E	146	B222E	146	BKR0140E	54	BUS0153E	147
B088E	146	B223E	146	BKR0141E	54	BUS0154E	147
B089E	146	B226E	146	BKR0142E	54	BUS0155E	147
B090E	146	B227E	146	BKR0143E	55	BUS0156E	147
B093E	146	B229E	146	BKR0144E	55	BUS0157E	147
B096E	146	B230E	146	BKR0146E	55	BUS0158E	147
B097E	146	B231E	146	BOD0001E	95	BUS0159E	147
B098E	146	B232E	146	BOD0002E	95	BUS0160E	147
B099E	146	B233E	146	BOD0003E	95	BUS0161E	147
B101E	146	B234E	146	BOD0004E	95	BUS0162E	147
B102E	146	B235E	146	BOD0005E	95	BUS0163E	147
B104E	146	B236E	146	BOD0006E	95	BUS0164E	147
B105E	146	B237E	146	BOD0007E	95	BUS0165E	147
B106E	146	B238E	146	BOD0008E	95	BUS0166E	147
B107E	146	B239E	146	BOD0010E	95	BUS0167E	147
B108E	146	B240E	146	BOD0011E	95	BUS0168E	147
B109E	146	B241E	146	BOD0012E	95	BUS0169E	147
B114E	146	B242E	146	BOD0013E	95	BUS0170E	147
B115E	146	B243E	146	BON0005E	138	BUS0171E	147
B116E	146	B244E	146	BOT0004E	129	BUS0172E	147
B120E	146	B245E	146	BOT0005E	129	BUS0173E	147
B122E	146	B246E	146	BOT0006E	129	BUS0174E	147
B124E	146	B247E	146	BOT0007E	129	BUS0175E	147
B125E	146	B248E	146	BOT0008E	129	BUS0176E	147
B126E	146	B249E	146	BOT0011E	129	BUS0178E	147
B127E	146	B250E	146	BOT0012E	129	BUS0179E	147
B129E	146	B251E	146	BOT0013E	129	BUS0180E	147
B130E	146	B252E	146	BOX0012E	70	BUS0181E	147
B133E	146	B253E	146	BRD0043E	75	BUS0182E	147
B135E	146	B254E	146	BRD0071E	64	BUS0183E	147
B137E	146	B255E	146	BRD0072E	64	BUS0184E	147
B139E	146	B256E	146	BRD00741	148	BUS0185E	147
B140E	146	B257E	146	BRD00742	148	BUS0186E	147
B141E	146	B258E	146	BRD0083E	76	BUS0187E	147
B144E	146	B269E	146	BRD00933	74	BUS0188E	147
B146E	146	BKR0023E	55	BRD00935	74	BUS0189E	147
B147E	146	BKR0025E	55	BRD00936	74	BUS0190E	147
B149E	146	BKR0027E	55	BRD00977	75	BUS0191E	147
B150E	146	BKR0029E	55	BRD01016	75	BUS0192E	147
B151E	146	BKR0040E	54	BRD01114	74	BUS0193E	147
B152E	146	BKR0044E	54	BRD0117E	65	BUS0194E	147
B153E	146	BKR0046E	55	BRD0130E	67	BUS0195E	147
B154E	146	BKR0056E	55	BRD0131E	67	BUS0196E	147
B155E	146	BKR0057E	55	BRD0132E	67	BUS0197E	147
B156E	146	BKR0059E	55	BRD0133E	67	BUS0198E	147
B157E	146	BKR0060E	55	BRD0134E	67	BUS0199E	147
B158E	146	BKR0062E	54	BRD0135E	67	BUS0200E	147
B160E	146	BKR0063E	54	BRD0136E	67	BUS0201E	147
B161E	146	BKR0064E	54	BRD0137E	67	BUS0202E	147
B162E	146	BKR0065E	54	BRD01670	74	BUS0203E	147
B164E	146	BKR0072E	55	BRD01672	74	CAB00028	71
B165E	146	BKR0076E	54	BRD01713	74	CAB00029	71
B168E	146	BKR0077E	54	BRD01721	75	CAB0007E	76
B170E	146			BRD02079	75	CAB0008E	76
				BRD02889	74	CAB00099	76
				BRD02893	76	CAB00896	156
				BRD03827	75	CAB00900	74
						CAB00905	156
						CAG0001E	93

Part number	Page
CAG0002E	93
CAG0003E	93
CAG0004E	93
CAG0005E	93
CAG0006E	93
CAG0007E	93
CAG0008E	93
CAG0009E	93
CAG0010E	93
CAG0011E	93
CAG0012E	93
CAG0013E	93
CAG0014E	93
CAG0015E	93
CAG0016E	93
CAP00876	156
CDS0629E	99
CDS0630E	99
CDS0631E	99
CDS0632E	99
CDS0657E	99
CDS0658E	99
CDS0659E	99
CDS0660E	99
CDS0710E	99
CDS0711E	99
CDS0712E	99
CHM0007E	114
CHM0008E	114
CHM0009E	115
CHM0010E	115
CLP0011E	137
CLP0030E	134, 135
CLP0036E	84
CNT00004	46
CNT0002E	82
CNT0002Z	42
CNT0008E	81
CNT0009E	80
CNT0033E	83
CNT0038E	82
CNT0041E	80
CNT0078E	82
CNT01015	141
CNT0102E	81
CNT0116E	154
CNT0117E	154
CNT0126E	81
CNT0127E	81
CNT0130E	154
CNT0132E	79
CNT0135E	83
CNT0140E	81
CNT0146E	81
CNT0147E	81
CNT0148E	81
CNT0153E	82
CNT0165E	65
CNT0238E	80
CNT0241E	79
CNT0242E	79
CNT0271E	154
CNT0272E	154
CNT0274E	81
CNT0282E	79
CNT0294E	80
CNT0295E	80
CNT0305E	79
CNT0334E	23
CNT0335E	23
CNT0336E	67
CNT04672	148
CNT05044	40
CNT06619	154
COL0002Z	42
COL0074E	84, 87
COL0079E	60
COL0080E	60
COL0091E	60
COL0092E	60
COL0094E	60
COL01639	35, 46
COL0165E	60
COL0166E	60
COL0168E	60
COL0169E	84
COL0171E	84, 87
COL0173E	87
COL0175E	87
COL0181E	60
COL0183E	60
COL0184E	60

Part number	Page
COL0185E	60
COL0193E	87
COL0194E	87
COL0308E	152
COL0321E	85
COL03780	35, 46
COL0392E	86, 88
COL0393E	88
COL0395E	88
COL0396E	88
COL12849	87
COM0001Z	30
COM0002Z	30
COM0003Z	30
COM0005Z	30
COM0008Z	30
COM0009Z	30
COM0010Z	30
COM0011Z	30
COM0012Z	30
COM0013Z	30
COM0014Z	30
COM0015Z	30
COM0016Z	30
COM0017Z	30
COM0018Z	30
COM0019Z	30
COM0020Z	30
COM0021Z	30
COM0027Z	30
COM0028Z	30
COM0029Z	30
COM0110E	34
COM0111E	34
COM0112E	34
COM0113E	34
COM0118E	33
COM0119E	33
COM0120E	33
COM0121E	33
COM0122E	33
COM0141E	18
COM0165E	33
COM0166E	33
COM0167E	33
COM0349E	18
COM03748	20
COM03758	20
COM03759	20
COM0379E	31
COM0380E	31
COM0381E	31
COM0382E	18
COM0383E	18
COM0384E	18
COM0386E	18
COM0388E	18
COM03919	20
COM0394E	18
COM0398E	31
COM0399E	31
COM0400E	18
COM0401E	18
COM0402E	18
COM0403E	18
COM0404E	15
COM0405E	15
COM0406E	15
COM0407E	18
COM0408E	17
COM0409E	17
COM0410E	17
COM0411E	18
COM0412E	18
COM0418E	18
COM0419E	31
COM0420E	31
COM0421E	31
COM0422E	31
COM0423E	31
COM0424E	31
COM0425E	31
COM0426E	31
COM0427E	31
COM0446E	17
COM0447E	21
COM0448E	29
COM0449E	29
COM0552E	31
COM0562E	29
COM0563E	29
COM0565E	31

Part number	Page
COM0594E	14
COM0595E	14
COM0596E	14
COM0597E	14
COM0598E	14
COM0599E	14
COM0600E	14
COM0601E	14
COM0602E	14
COM0603E	14
COM0604E	14
COM0605E	14
COM0606E	14
COM0607E	14
COM0608E	14
COM0609E	14
COM0610E	14
COM0611E	14
COM0612E	14
COM0613E	14
COM06159	29
COM06162	29
COM06165	29
COM06167	29
COM0616E	22
COM06171	17
COM06172	17
COM06173	17
COM06182	29
COM06185	29
COM06189	29
COM0618E	22
COM0620E	22
COM0621E	27
COM0622E	27
COM06257	17
COM0626E	14
COM06364	29
COM0642E	26
COM0643E	26
COM0644E	26
COM0645E	26
COM0646E	26
COM0648E	26
COM0649E	26
COM0650E	26
COM0651E	26
COM0652E	26
COM0653E	26
COM0654E	26
COM0655E	26
COM0659E	26
COM0662E	22
COM0663E	22
COM0664E	22
COM0665E	15
COM0666E	15
COM0667E	15
COM0668E	15
COM0669E	15
COM0670E	15
COM0671E	15
COM0672E	15
COM0673E	29
COM0674E	29
COM0675E	29
COM0676E	14
COM0680E	31
COM0682E	31
COM0683E	31
COM0687E	14
COM0688E	14
COM0689E	22
COM0691E	17
COM0692E	17
COM0693E	17
COM0702E	26
COM0703E	26
COM0704E	17
COM0705E	22
COM0706E	26
COM0707E	26
COM07160	28
COM07172	28
COM0740E	14
COM0741E	14
COM0742E	14
COM07475	19
COM07477	19
COM07478	19
COM07482	19
COM07490	19

Part number	Page
COM07494	19
COM07499	19
COM0754E	23
COM0755E	23
COM0756E	25
COM0757E	25
COM0758E	26
COM0759E	26
COM0766E	22
COM0767E	22
COM0768E	22
COM0769E	22
COM0771E	22
COM0772E	22
COM0774E	22
COM0775E	22
COM0776E	22
COM0788E	22
COM0803E	22
COM0815E	28
COM0817E	28
COM0818E	28
COM0819E	28
COM0820E	28
COM08244	28
COM08479	20
COM08482	20
COM08485	20
COM08535	20
COM08538	20
COM08540	20
COM08542	20
COM9002E	26
COM9004E	26
COM9006E	26
COM9111E	25
COM9121E	25
COM9131E	25
COM9141E	25
COM9151E	25
COM9161E	25
COM9171E	26
CON0006Z	42
CON00204	67
CON0101E	79
CON01166	66, 156
COR00020	104
COR00049	104
COR0004E	104
COR0008E	105
COR0009E	104
COV00004	46
COV0018E	140
COV0026E	140
CPR0007E	141
CPR0008E	141
CPR0010E	141
CPT0008E	136
CPT00091	21
CPT0025E	136, 137
CPT0026E	136
CPT0027E	136, 137
CPT0028E	136
CPT0029E	136
CPT0030E	136
CPT0031E	136
CPT0032E	136, 137
CPT0033E	136
CPT0034E	136
CPT0036E	136
CPT0037E	136
CPT0039E	136
CPT0043E	136
CPT0048E	136
CPT0052E	136
CPT0053E	136
CPT0054E	136
CPT0055E	136
CPT0056E	136
CPT0058E	136
CPT0063E	136
CPT0065E	136
CPT0066E	136
CPT0067E	136
CTC0011E	61
CTC0014E	61
CTC0022E	61
CTC0023E	61
CTC0029E	61
CTC0035E	61
CTC0036E	61
CTC0042E	61

Part number	Page
CTC0047E	61
CTC0048E	61
CTC0050E	61
CTC0051E	61
CTC0052E	61
CTC0055E	61
CTC0056E	61
CTC0058E	61
CTC0059E	61
CTC0060E	61
CTC0066E	61
CTC0073E	61
CTC0074E	61
CTC0075E	61
CTR0057E	59
CTR0058E	24, 59
CTR0059E	59
CTR0061E	59
CTR0062E	59
CTR0082E	59
CTR0083E	59
CTR0085E	59
CTR0086E	59
CTR0087E	59
CTR0088E	59
CTR0113E	59
CTR0139E	58
CTR0140E	58
CTR0141E	58
CTR0162E	59
CTR0166E	59
CTR0171E	59
CTR0184E	58
CTR0185E	58
CTR0186E	59
CTR0188E	59
CTR0206E	58
CTR0207E	58
CTR0209E	58
CTR0210E	58
CTR0213E	58
CTR0221E	59
CTR0222E	59
CTR0241E	60
CTR0242E	60
CTR0243E	60
CTR0244E	60
CTR0247E	58
CTR0250E	58
CTR0251E	58
CTR0252E	58
CTR0253E	60
CTR0254E	60
CTR0255E	58
CTR0256E	58
CTR0257E	58
CTR0258E	58
CTR0259E	58
CTR0260E	58
CTR0261E	58
CTR0262E	58
CTR0263E	58
CTR0266E	58
CTR0267E	58
CTR0268E	58
CTR0269E	24, 58
CTR0270E	58
CTR0271E	58
CTR0272E	24, 58
CTR0273E	58
CTR0274E	58
CTR0275E	58
CTR0276E	58
CTR0277E	58
CTR0278E	58
CTR0279E	58
CTR0283E	59
CTR0284E	59
CTR0285E	59
CTR0286E	59
CTR0287E	59
CTR0288E	59
CTR0289E	59
CTR0290E	59
CTR0291E	59
CTR0292E	59
CTR0295E	59
CTR0296E	59
CTR0297E	59
CTR0298E	59
CTR0299E	24
CTR0300E	24

Part number	Page
CTR0312E	61
CTR0315E	61
CTR0316E	61
CTR0318E	59
CTR0320E	59
CTR0322E	59
CTR0323E	59
CTR0326E	59
CTR0327E	59
CTR0328E	59
CTR0329E	58
CTR0330E	58
CTR0331E	58
CTR0332E	61
CTR0333E	58
CTR0334E	58
CTR0335E	58
CTR0336E	58
CTR0337E	58
CTR0338E	58
CTR0339E	58
CTR0340E	58
CTR0341E	59
CTR0343E	59
CTR0344E	59
CTR0345E	59
CTR0346E	59
CTR0347E	59
CTR0348E	59
CTR0349E	59
CTR0354E	59
CTR0355E	59
CTR0356E	59
CTR0357E	59
CTR0358E	59
CTR0359E	59
CTR0360E	59
CTR0361E	59
CTR0362E	59
DHY0004E	103
DHY00099	104
DHY00101	104
DHY00103	104
DHY00105	104
DHY00107	104
DHY00109	104
DHY00111	103
DHY00115	103
DHY00116	103
DHY00120	103
DHY00131	102
DHY00137	102
DHY00140	101
DHY00143	102
DHY00144	101
DHY00145	102
DHY00146	101
DHY00149	102
DHY00150	101
DHY00151	102
DHY00152	101
DHY00154	101
DHY00156	102
DHY00157	101
DHY00158	102
DHY00159	101
DHY00161	101
DHY00166	102
DHY00167	101
DHY00169	101
DHY00170	101
DHY00172	101
DHY00177	102
DHY00178	102
DHY00179	102
DHY00180	102
DHY00181	102
DHY00182	102
DHY0021E	103
DHY0022E	103
DHY0033E	103
DHY0034E	103
ELF0001E	62
ELM0015E	106
ELM0016E	106
ELM0017E	106
ELM01042	106
ELM01405	106
EVP0585E	99
EVP0588E	100
EVP0589E	100
EVP0590E	100

Part number	Page
EVP0591E	100
EVP0597E	99
EVP0598E	99
EVP0599E	99
EVP0600E	99
EVP0603E	100
EVP0604E	100
EVP0605E	100
EVP0633E	100
EVP0634E	100
EVP0635E	100
EVP0636E	100
EVP0637E	100
EVP0638E	100
EVP0639E	100
EVP0640E	100
EVP0641E	100
EVP0642E	100
EVP0643E	100
EVP0644E	100
EVP0645E	100
EVP0646E	100
EVP0647E	100
EVP0648E	100
EVP0649E	100
EVP0650E	100
EVP0651E	100
EVP0652E	100
EXC0001E	99
EXC0002E	99
EXC0003E	99
EXC0004E	99
EXC0005E	99
EXC0006E	99
EXC0012E	100
EXC0013E	100
EXC0015E	100
EXC0017E	99
EXC0018E	99
EXC0019E	99
EXC0020E	100
EXC0021E	100
EXC0022E	99
EXC0023E	99
EXC0024E	99
EXC0025E	100
EXC0035E	99
EXC0096E	99
EXC0097E	99
EXC0098E	99
EXC0165E	100
EXC0169E	99
EXC0170E	99
EXC0171E	99
EXC0172E	99
EXC0173E	99
EXC0174E	99
EXC0175E	99
EXC0176E	99
EXC0177E	99
EXC0178E	99
EXC0179E	99
EXC0180E	99
FAN0192E	133, 134, 135
FAN0193E	133, 134, 135
FAN0194E	133, 134, 135
FAN0195E	133, 134, 135
FAN0196E	133, 134, 135
FAN0197E	133, 134
FAN0198E	133, 134
FAN0199E	133, 134
FAN0200E	133, 134, 135
FAN0201E	133, 134, 135
FAN0202E	133, 134, 135
FAN0203E	133, 134, 135
FAN0204E	133, 134, 135
FAN0205E	133, 134, 135
FAN0206E	133, 134
FAN0207E	133, 134
FAN0208E	133, 134
FAN0209E	133, 134
FAN0212E	133, 134
FAN0213E	133, 134
FAN0304E	151
FAN0305E	151
FAN0313E	152
FAN0316E	152
FIN0012E	115
FLR0002E	116
FLR0003E	116
FLR0004E	43
FLR0004E	116

Part number	Page
FLR0043E	117
FLR0044E	117
FLR0045E	117
FLR0046E	117
FLR0047E	117
FLR0048E	116
FLR00779	106
FLR0078E	116
FLR0085E	116
FLR0086E	116
FLR0087E	116
FLR0088E	116
FLR0089E	116
FLR0090E	122
FLR00952	106
FLR0095E	116
FLR0096E	116
FLR0099E	116
FLR0100E	116
FLR0101E	116
FLR0103E	117
FLR0104E	117
FLR0105E	117
FLR01353	106
FLR0138E	119, 133
FLR01398	122
FLR01399	122
FLR0139E	119, 133
FLR01400	122
FLR01401	122
FLR0140E	119, 133
FLR0141E	119, 133
FLR0142E	119, 133
FLR0143E	119, 133
FLR0144E	119, 133
FLR0145E	119, 133
FLR0146E	119, 133
FLR0147E	119, 133
FLR0148E	122
FLR0151E	117
FLR0152E	117
FLR0153E	117
FLR01678	122
FLR0182E	117
FLR01880	122
FLR0191E	121
FLR0192E	121
FLR0193E	121
FLR0194E	121
FLR0195E	121
FLR0196E	117
FLR0199E	118
FLR0200E	118
FLR0201E	118
FLR0202E	118
FLR0203E	118
FLR0204E	118
FLR0205E	118
FLR0206E	118
FLR0207E	118
FLR0208E	118
FLR0209E	118
FLR0210E	118
FLR0215E	121
FLR0216E	123
FLR0217E	123
FLR0218E	123
FLR0219E	123
FLR0220E	123
FLR0239E	120
FLR0240E	120
FLR0241E	120
FLR0243E	120
FLR0244E	120
FLR0245E	120
FLR0246E	120
FLR0277E	120
FLR0278E	120
FLR0279E	106
FLR0293E	130, 131
FLR0295E	130
FLR0296E	130
FLR0297E	131
FLR0299E	130, 131
FLR0300E	130
FLR03018	106
FLR0301E	130, 131
FLR0302E	131
FLR0303E	131
FLR0304E	131
FLR0305E	131
FLR0326E	121

Part number	Page	Part number	Page	Part number	Page	Part number	Page
FLR03434	106	GLS0050E	96	KIT0601E	142	MNT00646	153
FUS0095E	50	GLS0052E	96	KIT0602E	142	MNT00647	153
FUS0098E	50	GLS0053E	96	KIT0603E	142	MNT0105E	43
FUS0099E	50	GRD0070E	140	KIT0604E	142	MNT0129E	23
FUS0100E	50	GRD0133E	140	KIT0605E	142	MOD0001E	62
FUS0108E	51	GRD0178E	140	KIT0606E	142	MOD0013E	64
FUS0109E	51	GRD0179E	140	KIT0607E	142	MOD0018E	62
FUS0111E	50	GRL0023E	152	KIT0608E	142	MOD0048E	74
FUS0113E	50	GRM00242	27	KIT0609E	142	MOD0054E	63
FUS0115E	50	HD0005Z	42	KIT0610E	142	MOD0055E	63
FUS0116E	51	HNG0007E	140	KIT0611E	142	MOD0068E	75
FUS0117E	50	HSE0052E	129	KIT0612E	142	MOD0069E	75
FUS0118E	50	HSE0053E	129	KIT0613E	142	MOD0074E	74
FUS0119E	50	HTR0001Z	42	KIT0614E	142	MOD00942	66
FUS0122E	51	HTR00174	19	KIT0615E	142	MOD0095E	76
FUS0124E	50	HTR00176	19	KIT0616E	142	MOD0096E	76
FUS0127E	50	HTR0050E	16, 19	KIT0617E	142	MOD0097E	76
FUS0128E	50	HTR0066E	19	KIT0618E	142	MOD0099E	76
FUS0129E	50	HTR0116E	23, 24	KIT0619E	142	MOD0100E	76
FUS0135E	50	HTR0117E	23, 24	KIT06337	40	MOD0102E	76
FUS0136E	50	HTR0120E	27	KIT06659	40	MOD0103E	76
FUS0137E	50	HTR0121E	27	KIT06841	32	MOD0105E	64
FUS0139E	50	HTR01222	21	KIT07614	106	MOD0116E	66
FUS0140E	50	HTR01226	21	KIT08282	149	MOD01254	75
FUS0141E	50	HTR01566	35, 43	KIT0890E	41	MOD01257	76
FUS0142E	50	HTR01614	21	KIT0891E	41	MOD01258	76
FUS0144E	50	HTR0177E	142	KIT0892E	41	MOD01259	76
FUS0145E	50	HTR0178E	142	KIT0895E	129	MOD01393	148
FUS0148E	50	HTR0179E	142	KIT0902E	41	MOD01394	66, 76
FUS0149E	50	HTR0180E	142	KIT0903E	41	MOD01396	76
FUS0150E	50	HTR0181E	142	KIT0945E	32	MOD01422	66, 76
FUS0155E	51	HTR0183E	142	KIT0991E	85	MOD01423	66
FUS0156E	51	HTR0189E	142	KIT0992E	85	MOD01424	66
FUS0157E	51	HTR0190E	142	KIT0993E	85	MOD01425	66
FUS0165E	51	HTR02047	32	KIT1019E	149	MOD01490	66
FUS0167E	51	HTR03384	21	KIT1020E	149	MOD01540	66
FUS0172E	51	HTR04353	21	KIT1021E	149	MOD0156E	158
GAG0012E	97	HUS0044E	134, 135	KIT1022E	149	MOD0157E	158
GAG0024E	97	HUS0045E	134, 135	KIT1043E	151	MOD0158E	158
GAG0046E	97	INS00197	40	KIT1081E	149	MOD0169E	65
GAG0047E	97	INS00198	40	KIT1082E	149	MOD0170E	65
GAG0048E	97	INS00199	40	KIT1083E	149	MOD0171E	65
GAG0049E	97	INS00200	40	KIT1084E	149	MOD01802	148
GAG0050E	97	INS0030E	23	KIT1109E	151	MOD01813	75
GAG0053E	97	INS0031E	23	KIT1185E	151	MOD01848	148
GAG0069E	97	INS0064E	23	KIT1198E	141	MOD0184E	65
GAG0071E	97	INS0065E	23	KIT1225E	141	MOD0185E	65
GKT0002Z	42	INS0066E	23	KIT12559	66	MOD01898	75
GKT0016Z	42	INS02690	48	KIT1290E	149	MOT0001Z	42
GKT0017Z	42	INS02691	48	KIT1291E	149	MOT0002Z	42
GKT0018Z	42	KEY0031E	61	KIT1292E	149	MOT0003Z	42
GKT0034Z	42	KIT00139	43	KIT1293E	149	MOT0004Z	42
GKT0035Z	42	KIT00140	43	KIT1323E	141	MOT0005Z	42
GKT0037Z	42	KIT00141	43	KIT1332E	129	MOT0179R	47
GKT00988	40	KIT00142	43	KIT1333E	129	MOT0180R	47
GKT00989	40	KIT00180	45	KIT1337E	129	MOT0181R	47
GKT02686	46	KIT00988	21	KIT1345E	109	MOT0182R	47
GKT02701	35	KIT02065	43	KIT1349E	65	MOT0183E	47
GKT02702	38, 48	KIT02066	43	KIT1358E	65	MOT0184R	47
GKT02705	35	KIT02067	43	KIT1390E	149	MOT0185E	47
GKT02707	35	KIT02068	35	LBL0031E	154	MOT0186R	47
GKT02714	35	KIT02069	35	LBL0032E	154	MOT0197E	38
GKT02719	43	KIT02583	31	LNRO0033	45	MOT0198E	38
GKT02721	46	KIT02584	31	LNRO0034	45	MOT0199E	38
GKT02768	48	KIT02585	31	LNRO0036	45	MOT0200E	38
GKT03647	38, 39	KIT02591	148	LNRO0038	36	MOT0201E	38
GKT03656	40	KIT03033	148	LNRO0039	36	MOT0202E	38
GKT03658	39	KIT0335E	85	LOG0009E	74	MOT0257E	143
GKT03659	38, 39	KIT0336E	85	LUG00004	40	MOT0260E	151
GKT03660	38, 43	KIT0337E	85	LUG00011	40	MOT0283E	143
GKT03661	40	KIT0338E	85	MAG00015	37, 43	MOT0284E	143
GKT03662	39	KIT0401E	48	MDA0016E	64	MOT0285E	143
GKT03663	37	KIT0402E	48	MDA0017E	64	MOT0290E	143
GKT03669	48	KIT0403E	48	MDC0048E	130	MOT0292E	143
GKT03670	43	KIT0404E	41	MFL0004E	77	MOT0302E	151
GKT03826	107	KIT0405E	41	MFL0006E	77	MOT0357E	143
GKT03852	107	KIT0406E	41	MFL0007E	77	MOT0358E	143
GKT04138	44	KIT0407E	48	MFL0013E	77	MOT0359E	143
GKT04140	46	KIT0408E	48	MFL0015E	77	MOT0360E	143
GKT04141	47	KIT0409E	48	MFL0016E	77	MOT0361E	143
GKT04150	38	KIT0521E	152	MNT00368	153	MOT0362E	143
GLS0001E	96	KIT0522E	150	MNT00369	153	MOT0366E	137
GLS00030	37	KIT0524E	75	MNT00400	153	MOT0368E	139
GLS00034	46	KIT0564E	149	MNT00403	153	MOT0369E	139
GLS0003E	96	KIT0565E	152	MNT00405	153	MOT0370E	139
GLS0011E	96	KIT0567E	149	MNT00406	153	MOT03765	148
GLS0013E	96	KIT0569E	149	MNT00407	153	MOT0437E	143
GLS0018E	96	KIT0596E	142	MNT00533	21	MOT0438E	143
GLS0027E	96	KIT0597E	142	MNT00620	153	MOT0439E	143
GLS0028E	96	KIT0598E	142	MNT00621	153	MOT0440E	143
GLS0029E	96	KIT0599E	142	MNT00622	153	MOT0441E	143
GLS0049E	96	KIT0600E	142	MNT00645	153	MOT0556E	143

Part number	Page
MOT05717	148
MOT0572E	151
MOT0573E	151
MOT0608E	48
MOT0613E	48
MOT0618E	151
MOT0619E	151
MOT0627E	143
MOT0628E	143
MOT0629E	143
MOT0659E	151
MOT0663E	151
MOT0667E	151
MOT0681E	138
MOT0735E	151
MOT0763E	139
MOT0785E	137
MOT0786E	137
MOT0804E	137
MOT0807E	137
MOT0881E	137
MOT0896E	151
MOT0897E	151
MOT0898E	151
MOT0899E	151
MOT0916E	139
MOT0918E	143
MOT09192	148
MOT0919E	143
MOT0949E	151
MOT0950E	151
MOT0964E	151
MOT0973E	139
MOT0977E	152
MOT0978E	152
MOT0979E	138
MOT0982E	138
MOT1007E	151
MOT1009E	151
MOT1010E	151
MOT1011E	151
MOT1125E	143
MOT1126E	143
MOT1127E	143
MOT1128E	143
MOT1131E	143
MOT1132E	143
MOT1133E	143
MOT1134E	143
MOT1135E	143
MOT1136E	143
NUT00891	48
NUT00970	36, 44
OIL00003	110
OIL0014E	110
OIL0020E	110
OIL0021E	110
OIL0023E	110
OIL0025E	110
OIL0027E	110
OIL0048E	110
OIL0050E	110
OIL0057E	110
OIL0058E	110
OIL0059E	110
OIL0060E	110
OIL0062E	110
OPT0001E	33
OPT0002E	33
OPT0003E	33
OPT0006E	33
OPT0007E	33
OPT0008E	33
OPT0012E	34
OPT0013E	34
OPT0014E	33
OPT0313E	149
PAI0003E	115
PLT0005Z	42
PLT0006Z	42
PLT0007Z	42
PLT0017Z	42
PLT00216	47
PLT00500	45
PLT0055E	140
PLT00570	36
PLT00970	48
PMP00009	43
PMP0001Z	42
PMP0027E	141
PMP0028E	141
PMP00460	39

Part number	Page
PMP0048E	141, 150
PMP0050E	141
PMP0052E	141
PMP0065E	150
PMP0093E	150
PMP0095E	150
PMP0096E	150
PMP0103E	150
PMP0107E	150
PMP0108E	150
PMP0110E	150
PMP0126E	150
PMP0128E	141
PMP0134E	150
PMP0139E	141
PNL14797	75
PNN0160E	141
PNN0196E	141
PNN0197E	141
PNT0008E	115
PST00017	44
PST00018	44
PST00043	37
PST00044	37
PST00049	35
PST00050	37
PWR0001E	94
PWR0002E	94
PWR0003E	94
PWR00042	75
PWR0004E	94
PWR0005E	94
PWR0006E	94
PWR0007E	94
PWR0008E	94
PWR0009E	94
PWR0010E	94
PWR0011E	94
PWR0012E	94
PWR0015E	94
PWR0016E	94
PWR0017E	94
PWR0018E	94
PWR0020E	94
PWR0021E	94
PWR0022E	94
PWR0023E	94
PWR0024E	94
PWR0025E	94
PWR0026E	94
PWR0027E	94
PWR0028E	94
RCM0001E	62
RCM0002E	62
RCM0003E	62
RCM0004E	62
RCM0006E	62
REC0066E	129
RLY0101E	56
RLY0102E	24, 56
RLY0105E	56
RLY0106E	56
RLY0107E	56
RLY0108E	56
RLY0109E	24, 56
RLY0110E	56
RLY0111E	56
RLY0112E	56
RLY0113E	56
RLY0114E	56
RLY0142E	56
RLY0156E	56
RLY0184E	56
RLY0212E	57
RLY0221E	16
RLY0226E	56
RLY0237E	57
RLY0238E	57
RLY0239E	57
RLY0282E	141
RLY0292E	57
RLY0293E	57
RLY0294E	57
RLY0295E	57
RLY0296E	57
RLY0297E	24, 57
RLY0298E	57
RLY0299E	24, 57
RLY0300E	57
RLY0301E	57
RLY0302E	57
RLY0303E	57

Part number	Page
RLY0304E	57
RLY0306E	57
RLY0307E	57
RLY0308E	24
RLY0309E	24
RLY0335E	141
RLY0336E	57
RLY0337E	57
RLY0338E	57
RNG00037	40
RNG00038	40
RNG00052	46
RNG00065	45
RNG00069	43
RNG00077	44
RNG00087	37
RNG00088	45
RNG00133	47, 48
RNG00145	37
RNG00207	46
RNG0021E	47
RNG00229	45
RNG00410	36
RNG00411	37
RNG00412	37
RNG00413	40
RNG00818	37
RNG00891	40
RNG01043	107
RNG01157	107
RNG01248	107
RNG01252	44
RNG01410	107
RNG01433	47
RNG01651	48
RNG01697	107
RNG0201E	107
RNG0208E	107
ROD0002Z	42
ROD00034	44
ROD0003Z	42
ROD00149	37
ROD00163	37
SCM0001E	63
SCM0002E	63
SCR0155E	134, 135
SDA0013E	131
SDA0014E	131
SDA0015E	131
SDA0016E	131
SELO0022	43
SELO0193	43
SEN0004E	62
SEN0006E	62
SEN0007E	69
SEN00096	67
SEN0010E	62
SEN00113	67
SEN00118	67
SEN0011E	65
SEN0012E	62
SEN0015E	67, 69
SEN00202	67
SEN00204	67
SEN00306	67
SEN0037E	63
SEN00404	67
SEN00405	67
SEN00406	67
SEN0044E	70
SEN0045E	70
SEN0051E	65
SEN0053E	72
SEN0054E	72
SEN0055E	72
SEN0057E	72
SEN0058E	72
SEN0059E	72
SEN0060E	72
SEN0061E	72
SEN0062E	72
SEN0077E	64
SEN0081E	64
SEN0082E	64
SEN0086E	65
SEN00951	67
SEN0102E	65
SEN0103E	63, 65
SEN01092	72
SEN0117E	158
SEN0118E	158
SEN0119E	158

Part number	Page
SEN0120E	158
SEN01448	70, 71
SEN01517	71
SEN01518	71
SEN01523	70
SEN01564	72
SEN01577	70
SEN01959	66
SHE0295E	144
SHE0309E	144
SHE0310E	144
SHE0311E	144
SHE0312E	144
SHE0313E	144
SHE0314E	144
SHE0315E	144
SHE0316E	144
SHE0317E	144
SHE0318E	144
SHE0319E	144
SHE0320E	144
SHE0321E	144
SHE0322E	145
SHE0323E	145
SHE0324E	145
SHE0325E	145
SHE0326E	145
SHE0327E	145
SHE0328E	145
SHE0329E	145
SHE0330E	145
SHE0331E	145
SHE0332E	145
SHE0333E	145
SHE0334E	145
SHE0337E	144
SHE0338E	144
SHE0339E	144
SHE0340E	144
SHE0341E	144
SHE0342E	144
SHE0343E	144
SHE0344E	144
SHE0345E	144
SHE0346E	144
SHE0347E	144
SHE0348E	144
SHE0349E	144
SHE0350E	144
SHE0351E	144
SHE0352E	144
SHE0353E	144
SHE0354E	144
SHE0355E	144
SHE0356E	145
SHE0357E	145
SHE0358E	145
SHE0359E	145
SHE0360E	145
SHE0361E	145
SHE0362E	144
SHE0363E	144
SHE0364E	144
SHE0365E	144
SHE0366E	144
SHE0367E	144
SHE0368E	144
SHE0369E	144
SHE0370E	144
SHE0371E	144
SHE0372E	144
SHE0373E	144
SHE0374E	144
SHE0375E	145
SHE0376E	145
SHE0377E	145
SHE0378E	145
SHE0379E	145
SHE0380E	145
SHE0381E	145
SHE0382E	145
SHE0383E	145
SHE0384E	145
SHE0385E	144
SHE0386E	144
SHE0387E	144
SHE0388E	144
SHE0389E	144
SHE0390E	144
SHE0391E	144
SHE0392E	144
SHE0393E	144

Part number	Page
SHE0394E	144
SHE0395E	144
SHE0396E	144
SHE0397E	144
SHE0398E	144
SHE0399E	144
SHE0400E	144
SHE0401E	144
SHE0402E	144
SHE0403E	144
SHE0404E	144
SHE0405E	144
SHE0406E	144
SHE0407E	144
SHE0408E	144
SHE0409E	144
SHE0410E	144
SHE0411E	144
SHE0412E	144
SHE0413E	145
SHE0414E	145
SHE0415E	145
SHE0416E	145
SHE0417E	145
SHE0418E	145
SHE0419E	145
SHE0420E	145
SHE0421E	145
SHE0429E	145
SHE0441E	148
SLG00056	148
SLG00123	148
SPG00276	45
SPG00277	36, 44
SPG00278	45
SPG00282	45
SPG00285	36
SPG00861	39
SRA00033	43
SRA00064	38
SRA00073	38
SRA00149	43
SRA00854	37
SRA00855	37
SRN00002	46
SRN00004	43
STU00067	40
STU00068	40
STU00140	48
SWT0081E	49
SWT0086E	49
SWT0175E	49
SWT0176E	49
SWT0177E	49
SWT0179E	49
SWT0180E	49
SWT0198E	141
SWT0199E	141
SWT0204E	49
SWT0206E	49
SWT0207E	49
SWT0212E	70, 141
SWT0216E	49
SWT0217E	49
SWT0218E	49
SWT0219E	49
SWT0222E	49
SWT0223E	49
SWT0226E	49
SWT0231E	49
SWT0232E	49
SWT0233E	49
TDR0009E	63
TDR0014E	63, 65, 72
TDR0015E	72
TDR0018E	72
TDR0019E	72
TER00008	40, 47, 48
TER00010	48
TER0001E	47
THT0001E	68
THT0008E	68
THT0017E	68
THT0018E	68
THT00225	68
THT0034E	68
THT0035E	68
THT0052E	69
THT0058E	69
THT0059E	69
THT0060E	68
THT0066E	69

Part number	Page
THT0079E	68
THT0086E	69
THT0094E	69
THT0095E	69
THT0106E	141
THT0123E	70
THT0124E	70
THT0126E	70
THT0127E	70
THT0130E	71
THT0131E	71
THT0141E	69
THT0142E	69
THT0143E	70
THT0144E	70
THT0149E	70
THT0150E	70
THT0152E	70
THT0154E	69
THT0158E	69
THT0161E	141, 142
THT0163E	69
THT0166E	75
THT0175E	141, 142
THT0177E	71
THT0192E	71
THT0194E	71
TMR0016E	52
TMR0025E	53
TMR0026E	52
TMR0029E	52
TMR0030E	52
TMR0039E	52
TMR0040E	52
TMR0044E	53
TMR0047E	52
TOL0049E	97
TOL0088E	159
TOL0089E	159
TOL0090E	159
TOL0091E	159
TOL0092E	159
TOL0093E	159
TOL0094E	159
TOL0095E	159
TOL0096E	159
TOL0097E	159
TOL0098E	159
TOL0099E	159
TOL0100E	159
TOL0101E	159
TOL0102E	73
TOL0102E	159
TOL0103E	159
TOL0104E	159
TOL0105E	159
TOL0106E	159
TOL0107E	159
TOL0108E	159
TOL0109E	159
TOL0110E	159
TOL0111E	159
TOL0112E	159
TOL0113E	159
TOL01145	155
TOL0114E	159
TOL0115E	160
TOL0116E	160
TOL0117E	160
TOL0118E	160
TOL0119E	160
TOL0120E	160
TOL0121E	160
TOL0122E	160
TOL0123E	160
TOL0124E	160
TOL0125E	160
TOL0126E	160
TOL0127E	160
TOL0128E	160
TOL0129E	160
TOL0130E	160
TOL0131E	160
TOL0132E	160
TOL0133E	160
TOL01343	156
TOL0156E	65
TOL0308A	155
TRR0080E	62
TRR01026	75
TRR01279	74, 75
VAL00008	39

Part number	Page
VAL00009	39, 43
VAL00031	39, 43
VAL00035	38, 43
VAL00042	43
VAL00043	38, 43
VAL0008Z	42
VAL00138	43
VAL0016E	78
VAL0017E	78
VAL0017Z	42
VAL01090	44
VAL01091	45
VAL01118	35
VAL01121	36
VAL01122	36
VAL01123	36
VAL0161E	78
VAL0203E	92
VAL0214E	84
VAL0216E	84
VAL02189	148
VAL0218E	84
VAL0219E	84
VAL0225E	84
VAL0233E	16
VAL0234E	16
VAL0235E	16
VAL0237E	16
VAL0298E	86
VAL0397E	139
VAL0398E	139
VAL0400E	139
VAL0427E	92
VAL0429E	92
VAL0430E	92
VAL0431E	92
VAL0432E	92
VAL0433E	92
VAL0434E	92
VAL0435E	92
VAL0436E	92
VAL0437E	92
VAL0438E	92
VAL0439E	92
VAL0455E	86
VAL0467E	138
VAL0489E	86
VAL0495E	84
VAL05111	35
VAL0539E	92
VAL0545E	138
VAL0546E	138
VAL05774	46
VAL0649E	16
VAL0650E	16
VAL0667E	85
VAL06711	39, 43
VAL06712	39
VAL0718E	86
VAL0738E	139
VAL0748E	84
VAL0766E	78
VAL0767E	78
VAL0768E	78
VAL0769E	78
VAL0771E	78
VAL0772E	78
VAL0773E	78
VAL0774E	78
VAL0775E	78
VAL0776E	78
VAL0777E	78
VAL0778E	78
VAL0781E	139
VAL0785E	138
VAL0786E	138
VAL0787E	138
VAL0810E	86
VAL0825E	87
VAL0826E	87
VAL0830E	87
VAL0833E	87
VAL08350	86
VAL08358	86
VAL0839E	91
VAL0840E	91
VAL0841E	87
VAL0895E	129
VAL0896E	129
VAL0919E	91
VAL0920E	91
VAL0921E	91

Part number	Page
VAL0922E	91
VAL0923E	91
VAL0924E	91
VAL0925E	91
VAL0926E	91
VAL0927E	91
VAL0928E	91
VAL0929E	91
VAL0930E	91
VAL0931E	91
VAL0932E	91
VAL0933E	91
VAL0934E	91
VAL0935E	91
VAL0945E	91
VAL0946E	91
VAL0947E	91
VAL0948E	91
VAL0949E	91
VAL0950E	91
VAL0951E	91
VAL0952E	91
WAS00582	48
XCM0001E	62
XCM0002E	62

Manufacturer number to part number index

Manufacturer nbr	Part number	Page	Manufacturer nbr	Part number	Page	Manufacturer nbr	Part number	Page
60120006	FUS0155E	51	260 R3120	SWT0081E	49	A27 A1 N12	THT0163E	69
60120008	FUS0156E	51	260 R3040	SWT0177E	49	A27 A2 N11	THT0094E	69
60120010	FUS0157E	51	26033006+29990012	SWT0216E	49	A27 M2 N11	THT0094E	69
60130010	FUS0122E	51	26033008+29990012	SWT0217E	49	A27A2N22+S27A2	THT0059E	69
60230025	FUS0109E	51	26033010+29990012	SWT0218E	49	A28 AA 9106	THT0008E	68
60230040	FUS0108E	51	3030/44C170	VAL0766E	78	A300	FLR0216E	123
60330063	FUS0116E	51	3030/66C245	VAL0776E	78	A300	FLR0217E	123
66010016	FUS0145E	50	3030/88C100	VAL0767E	78	A300	FLR0218E	123
66010032	FUS0137E	50	3030/88C130	VAL0768E	78	A300	FLR0219E	123
66010050	FUS0139E	50	3030/88C160	VAL0769E	78	A300	FLR0220E	123
66930040	FUS0144E	50	3060/45C160	VAL0772E	78	A36 AHB 9109	THT0001E	68
66930063	FUS0119E	50	3060/45C170	VAL0773E	78	A99BB300C	SEN0015E	67, 69
66930080	FUS0135E	50	3060/45C230	VAL0777E	78	A99BB300C	THT0066E	69
66930100	FUS0118E	50	3060/45C250	VAL0774E	78	A99BB500C	SEN0007E	69
66930125	FUS0124E	50	3060/45C280	VAL0775E	78	AC350-210DQ	EXC0035E	99
66930160	FUS0142E	50	3060/45C300	VAL0771E	78	ACB-2UB71	CNT0294E	80
67030125	FUS0117E	50	3060/45C310	VAL0778E	78	ACB-2UB71	CNT0295E	80
67030160	FUS0115E	50	36 T39626	SWT0226E	49	ACS208	COL0074E	84, 87
67130160	FUS0148E	50	36 T43005	SWT0223E	49	AE 5465E	COM0384E	18
67130200	FUS0141E	50	36 T43016	SWT0207E	49	AE 5470E	COM0400E	18
67130250	FUS0149E	50	36 T43039	SWT0204E	49	AF 400 30 11	CTR0330E	58
67230160	FUS0129E	50	361 R3012	SWT0206E	49	AF 580 30 11	CTR0340E	58
67230200	FUS0113E	50	37TG31501521	THT0079E	68	AF 750 30 11	CTR0331E	58
67230250	FUS0111E	50	4J22.2	COM0029Z	30	AH 5524E	COM0403E	18
67230315	FUS0140E	50	5242/235	VAL0161E	78	AJ 5510F	COM0382E	18
67230400	FUS0127E	50	63613/300	VAL0016E	78	AJ 5512E	COM0401E	18
67230500	FUS0150E	50	63618-1	VAL0017E	78	AJ 5513E	COM0383E	18
67330500	FUS0136E	50	80 L4 B3	MOT0257E	143	AJ 5515E	COM0386E	18
67330630	FUS0128E	50	80 L4 B3	MOT0290E	143	AJ 5518E	COM0394E	18
67470630	FUS0095E	50	90 L4 B3	MOT1131E	143	AJ 5519E	COM0402E	18
67470800	FUS0098E	50	90 L4 B3	MOT0285E	143	ANE 5HW100DL	VAL0203E	92
67471000	FUS0099E	50	90 L4 B3	MOT0292E	143	AR 150	FLR0048E	116
67471200	FUS0100E	50	9100 /RA7	COL0321E	85	AS 24A CD5 - A	COM08482	20
27201135041	MOD0184E	65	A 110 30 00	CTR0277E	58	AS 17A AA5 A	COM08479	20
27201135042	MOD0185E	65	A 110 30 11	CTR0252E	58	AS 29A EE5 - A	COM08485	20
037-061-9-P	MOD0169E	65	A 12 30 01	CTR0278E	58	AS 35A FG5 - A	COM08540	20
037-062-9-P	MOD0170E	65	A 12 30 10	CTR0140E	58	ASC120-IP65	COL0169E	84
037-108-9-P	MOD0171E	65	A 12 30 10	CTR0256E	58	ASC208	COL0074E	84, 87
061L2094	COL0392E	86, 88	A 12 30 10	CTR0267E	58	ASC24	COL0171E	84, 87
100 L2 B3	MOT1132E	143	A 145 30 11	CTR0329E	58	ASD 45 S6	DHY00178	102
100 L4 B3	MOT0283E	143	A 145 30 11	CTR0336E	58	ASD 45 S7	DHY00179	102
100 L4 B3	MOT0284E	143	A 150	FLR0002E	116	ASD 35 S5	DHY00177	102
1098/7	VAL0667E	85	A 150	FLR0003E	116	ASD 50 S9	DHY00180	102
112 M4 B3	MOT0556E	143	A 150	FLR0004E	116	ASD 75 S11	DHY00181	102
112 M4/8 B3	MOT0357E	143	A 16 30 01	CTR0279E	58	ASD 75 S13	DHY00182	102
132 M2 B3	MOT1136E	143	A 16 30 10	CTR0139E	58	B 6 30 01	CTR0250E	58
132 M4 B3	MOT0919E	143	A 16 30 10	CTR0213E	58	B 6 30 10	CTR0184E	58
132 M4 B3	MOT1128E	143	A 16 30 10	CTR0268E	58	B 6 30 10	CTR0206E	58
132 M4/8 B3	MOT0358E	143	A 185 30 11	CTR0333E	58	B 6 30 10	CTR0207E	58
132 M4/8 B3	MOT0359E	143	A 185 30 11	CTR0337E	58	B 7 30 10	CTR0247E	58
132 S2 B3/V5	MOT1133E	143	A 210 30 11	CTR0334E	58	B08-30	EXC0017E	99
132 S2- B3	MOT1134E	143	A 210 30 11	CTR0338E	58	B120TH-30	CDS0629E	99
132 S4 B3	MOT0918E	143	A 26 30 10	CTR0185E	58	B120TH-40	CDS0630E	99
132 SU2 B3	MOT1135E	143	A 26 30 10	CTR0257E	58	B120TH-50	CDS0631E	99
132 SU4 B3	MOT1127E	143	A 26 30 10	CTR0269E	24, 58	B120TH-60	CDS0632E	99
160 L4	MOT1125E	143	A 30 30 00	CTR0258E	58	B15-20	EXC0018E	99
160 L4 B3	MOT0438E	143	A 30 30 10	CTR0209E	58	B15-30	EXC0019E	99
160 L4/8 B3	MOT0361E	143	A 30 30 10	CTR0270E	58	B200	CDS0710E	99
160 M4 B3	MOT0437E	143	A 300 30 11	CTR0335E	58	B200	CDS0711E	99
160 M4/8 B3	MOT0360E	143	A 300 30 11	CTR0339E	58	B200	CDS0712E	99
180 L4 B3	MOT0439E	143	A 40 30 10	CTR0263E	58	B25T-20	EXC0001E	99
180 L4/8 B3	MOT0362E	143	A 40 30 10	CTR0275E	58	B25T-24	EXC0005E	99
180 LR4	MOT1126E	143	A 50 30 00	CTR0210E	58	B25T-30	EXC0002E	99
180 MT4 B3	MOT0440E	143	A 50 30 00	CTR0260E	58	B25T-34	EXC0006E	99
200 L4 B3	MOT0441E	143	A 50 30 00	CTR0272E	24, 58	B25T-40	EXC0003E	99
200 L4/8 B3	MOT0627E	143	A 63 30 00	CTR0261E	58	B25T-60	EXC0004E	99
200 L4/8 B3	MOT0628E	143	A 63 30 00	CTR0273E	58	B400T-114	EXC0007E	99
225 M4/8 B3	MOT0629E	143	A 75 30 00	CTR0262E	58	B400T-144	EXC0009E	99
240 RA 12T 7T	VAL0219E	84	A 75 30 00	CTR0274E	58	B400T-94	EXC0006E	99
240 RA 12T 9T	VAL0218E	84	A 9 30 01	CTR0259E	58	B50M-40	EXC0024E	99
240 RA 16T 11T	VAL0748E	84	A 9 30 01	CTR0271E	58	BAYSENS119AA	SEN01577	70
240 RA 16T 9T	VAL0495E	84	A 9 30 10	CTR0141E	58	BCF-T-001	ADP0063E	63, 65
240 RA 20T 11T	VAL0225E	84	A 9 30 10	CTR0255E	58	BCY 14411	DHY0021E	103
240 RA 9T 5T	VAL0214E	84	A 9 30 10	CTR0266E	58	BCY 1449	DHY00120	103
240 RA 9T 7T	VAL0216E	84	A 95 30 00	CTR0276E	58	BCY 19211	DHY0004E	103
2455 RMT 146 B201A	THT0141E	69	A 95 30 11	CTR0251E	58	BCY 19213	DHY0022E	103
2455 RMT 147 B201A	THT0142E	69	A19 AAC 9009	THT0034E	68	BCY 487	DHY00111	103
260 R3013	SWT0175E	49	A19 ABC 9011	THT0018E	68	BCY 967	DHY00115	103
260 R3016	SWT0219E	49	A19 ABC 9036	THT0017E	68	BCY 969	DHY00116	103
260 R3025	SWT0176E	49	A19 ACC 9116	THT0060E	68	BHS-3*	TOL0091E	159
260 R3063	SWT0179E	49	A27 2N21+S27A2	THT0052E	69	BHS-4*	TOL0092E	159
260 R3080	SWT0180E	49	A27 A1 N11	THT0066E	69	BHS-5*	TOL0093E	159
260 R3100	SWT0086E	49	A27 A1 N12	THT0154E	69	BHS-6*	TOL0094E	159

Manufacturer nbr	Part number	Page	Manufacturer nbr	Part number	Page	Manufacturer nbr	Part number	Page
BHS-8"	TOL0095E	159	CMJ	FLR0095E	116	DP 400	EXC0169E	99
BIS-10"	TOL0108E	159	CMJ	FLR0096E	116	DP 400	EXC0170E	99
BIS-12"	TOL0109E	159	CMJ	FLR0099E	116	DP 400	EXC0171E	99
BIS-14"	TOL0110E	159	CMJ	FLR0100E	116	DP 400	EXC0172E	99
BIS-16"	TOL0111E	159	CMJ	FLR0101E	116	DP 400	EXC0173E	99
BIS-18"	TOL0112E	159	CP 1D-1200	MNT00369	153	DP 400	EXC0174E	99
BIS-8"	TOL0107E	159	CP 1D-1360	MNT00400	153	DP 400	EXC0175E	99
BKF083 S	DHY00099	104	CP 1D-900	MNT00368	153	DP 400	EXC0176E	99
BKF084 S	DHY00101	104	CR 22 K6 TFD 770	COM06257	17	DP 400	EXC0177E	99
BKF085 S	DHY00103	104	CR 37 KQE TFD 28 SBM	COM0693E	17	DP 400	EXC0178E	99
BKF163 S	DHY00105	104	CR 47 KQ PFZ 28 SBM	COM0691E	17	DP 400	EXC0179E	99
BKF164 S	DHY00107	104	CR 47 KQE TFD 28 SBM	COM0692E	17	DP 400	EXC0180E	99
BKF165 S	DHY00109	104	CR JQ 0300 PFJ 522	COM06172	17	DRY - PAK	FLR0199E	118
BKS-3"	TOL0088E	159	CR JQ 0300 TFD 522	COM0446E	17	DRY - PAK	FLR0200E	118
BKS-4"	TOL0089E	159	CR LQ 0350 PFJ 522	COM06171	17	DRY - PAK	FLR0201E	118
BKS-6"	TOL0090E	159	CR LQ 0350 TFD 522	COM06173	17	DRY - PAK	FLR0202E	118
BL5-10"	TOL0104E	159	CR NQ 0500 TFD 550	COM0704E	17	DRY - PAK	FLR0203E	118
BL5-12"	TOL0105E	159	CRHC 075KA	COM07499	19	DRY - PAK	FLR0204E	118
BL5-14"	TOL0106E	159	CRHE1CO	COM0122E	33	DRY - PAK	FLR0205E	118
BL5-5"	TOL0101E	159	CRHE500	COM0119E	33	DRY - PAK	FLR0206E	118
BL5-6"	TOL0102E	159	CRHE600	COM0120E	33	DRY - PAK	FLR0207E	118
BL5-8"	TOL0103E	159	CRHE750	COM0121E	33	DRY - PAK	FLR0208E	118
BMS-10"	TOL0099E	159	CRHF081	COM0118E	33	DRY - PAK	FLR0209E	118
BMS-12"	TOL0100E	159	CRHH 062KA	COM07475	19	DRY - PAK	FLR0210E	118
BMS-5"	TOL0096E	159	CRHH 075JA	COM07477	19	DV200-50	EXC0165E	100
BMS-6"	TOL0097E	159	CRHH 075KA	COM07478	19	DV400	EVP0641E	100
BMS-8"	TOL0098E	159	CRHH 083KA	COM07482	19	DV400	EVP0642E	100
BNS-10"	TOL0113E	159	CRHL 075KA	COM07490	19	DV400	EVP0643E	100
BOS-10"	TOL0114E	159	CRHL 100KA	COM07494	19	DV400	EVP0644E	100
C R111 H5R	COM06167	29	CRHR400	COM0165E	33	DV400	EVP0645E	100
C R224 H8S	COM06162	29	CRHR500	COM0166E	33	DV47-102	EVP0599E	99
C R224 H8U	COM06182	29	CRHR600	COM0167E	33	DV47-134	EVP0600E	99
C R373 H8B	COM06165	29	CRHZ 150	COM0028Z	30	DV47-38	EVP0585E	99
C R373 H8S	COM06185	29	CRHZ 150	COM0029Z	30	DV47-74	EVP0597E	99
C R91 H5R	COM06189	29	CRHZ 200	COM0003Z	30	DV47-86	EVP0598E	99
C17.279.57	THT00225	68	CRHZ 200	COM0010Z	30	DV58-102	EXC0025E	100
C2P 1D-2400	MNT00406	153	CRHZ 200	COM0012Z	30	DV58-122	EVP0633E	100
C2P 1D-1350	MNT00403	153	CRHZ 200	COM0013Z	30	DV58-138	EVP0634E	100
C2P 1D-1800	MNT00405	153	CRHZ 200	COM0014Z	30	DV58-170	EVP0637E	100
C2P 1D-2720	MNT00407	153	CRHZ 200	COM0015Z	30	DV58-82	EVP0639E	100
C60H	BKR0143E	55	CRHZ 250	COM0002Z	30	DV58-94	EVP0638E	100
C60H	BKR0144E	55	CRHZ 250	COM0005Z	30	E 4001TA	BOT0004E	129
C60H	BKR0146E	55	CRHZ 250	COM0009Z	30	E 401T	BOT0006E	129
C60N	BKR0084E	55	CRHZ 250	COM0016Z	30	EAC426/4.300	TMR0044E	53
C60N	BKR0108E	55	CRHZ 250	COM0017Z	30	EK 032	DHY00131	102
C60N	BKR0109E	55	CRHZ 250	COM0018Z	30	EK 052	DHY00137	102
C60N	BKR0111E	55	CRHZ 300	COM0001Z	30	EK 053 S	DHY00140	101
C60N	BKR0112E	55	CRHZ 300	COM0008Z	30	EK 083	DHY00143	102
C60N	BKR0118E	55	CRHZ 300	COM0011Z	30	EK 084	DHY00145	102
C60N	BKR0120E	55	CRHZ 300	COM0019Z	30	EK 163	DHY00149	102
C60N	BKR0121E	55	CRHZ 300	COM0020Z	30	EK 163 S	DHY00150	101
C60N	BKR0134E	55	CRHZ 300	COM0021Z	30	EK 164	DHY00151	102
CA 5-01	CTC0052E	61	CRHZ 400	COM0027Z	30	EK 303	DHY00156	102
CA 5-10	CTC0051E	61	CROF 1CO	COM0113E	34	EK 303 S	DHY00157	101
CA2 KN	CTR0316E	61	CROF 600	COM0110E	34	EK 304	DHY00158	102
CA2 KN22M7	CTR0315E	61	CROF 700	COM0111E	34	EK 304 S	DHY00159	101
CAL 18 11	CTR0332E	61	CROF 750	COM0112E	34	EK 414	DHY00166	102
CAL 5-11	CTC0050E	61	CSHA 10T	COM0754E	23	EK 414 S	DHY00167	101
CB26-18H	EXC0023E	99	CSHA 15T	COM0755E	23	EK 415 S	DHY00169	101
CB26-44H	EXC0022E	99	CSHD 092K0A00	COM9111E	25	EK 757 S	DHY00172	101
CCY 48HP	COR0009E	104	CSHD 10 T	COM9131E	25	EU2	FLR0302E	131
CHHB070	COM0379E	31	CSHD 110K0A00	COM9121E	25	EU2	FLR0303E	131
CHHB070	COM0419E	31	CSHD 13 T	COM9151E	25	EU2	FLR0304E	131
CHHB070	COM0552E	31	CSHD 142K0A00	COM9141E	25	EU2	FLR0305E	131
CHHB085	COM0380E	31	CSHD 15 T	COM9161E	25	EU4	FLR0293E	130, 131
CHHB085	COM0420E	31	CSHN 10 T	COM0756E	25	EU4	FLR0295E	130
CHHB100	COM0381E	31	CSHN 15 T	COM0757E	25	EU4	FLR0296E	130
CHHB100	COM0421E	31	CSHN 15 T	COM9171E	26	EU4	FLR0297E	131
CHHB100	COM0565E	31	CSHN 20 T	COM9002E	26	EU4	FLR0299E	130, 131
CHHN035	COM0422E	31	CSHN 25 T	COM9004E	26	EU4	FLR0300E	130
CHHN035	COM0425E	31	CSHN 30 T	COM9006E	26	EU4	FLR0301E	130, 131
CHHN040	COM0423E	31	CYS 80419	GLS0027E	96	EU4	MDC0048E	130
CHHN040	COM0426E	31	CYS 80420	GLS0028E	96	EVRV	VAL0455E	86
CHHN050	COM0398E	31	CYS 80121	GLS0011E	96	EVRV	VAL0810E	86
CHHN050	COM0424E	31	D6DET	TMR0016E	52	F 201MA	BOT0008E	129
CHHN060	COM0399E	31	DB47-102	CDS0659E	99	F 401T	BOT0007E	129
CHHN060	COM0427E	31	DB47-134	CDS0660E	99	F 401TA	BOT0005E	129
CHHP K2	COM0682E	31	DB47-74	CDS0657E	99	FB-T28	SEN0045E	70
CHHP L1	COM0683E	31	DB47-86	CDS0658E	99	FF 142.3 BAA 1W	CNT0078E	82
CHHP N2	COM0680E	31	DCY 083 SK	DHY00144	101	FH 5522E	COM0388E	18
CHV01AJ504F1	COL0396E	88	DCY 084 SK	DHY00146	101	FH 5528E	COM0407E	18
CMJ	FLR0078E	116	DCY 164 S	DHY00152	101	FH 5538F	COM0411E	18
CMJ	FLR0085E	116	DCY 165 SK	DHY00154	101	FH 5542E	COM0418E	18
CMJ	FLR0086E	116	DCY 305 SK	DHY00161	101	FN660 3/06 HPF	ELF0001E	62
CMJ	FLR0087E	116	DCY 417 S	DHY00170	101	GP 393GH9HA	COM08535	20
CMJ	FLR0088E	116	DF2EA40	FUS0172E	51	GP 483JJ9G	COM08538	20
CMJ	FLR0089E	116	Diablo	TOL03084	155	GP 513JK9GA	COM08542	20

Manufacturer nbr	Part number	Page	Manufacturer nbr	Part number	Page	Manufacturer nbr	Part number	Page
GP 553KK1G	COM03919	20	LC1 D5011 F7	CTR0289E	59	MP2	MDA0017E	64
GP 673LM3G	COM03748	20	LC1 D50AB7	CTR0361E	59	MP20	BRD0071E	64
GP 673LM4G	COM03758	20	LC1 D50AF7	CTR0354E	59	MP20	BRD0072E	64
GP 813NN4G	COM03759	20	LC1 D50AP7	CTR0358E	59	MP20	MOD0105E	64
GV1 A01	CTC0035E	61	LC1 D50P7	CTR0082E	59	MP3	SEN0077E	64
GV1 ME06	BKR0040E	54	LC1 D65 B7	CTR0347E	59	MP54 0608 1003	CNT0002E	82
GV2 ME14	BKR0106E	54	LC1 D6511 F7	CTR0290E	59	MP54 0608 1004	CNT0038E	82
GV2 ME05	BKR0082E	54	LC1 D65AB7	CTR0362E	59	MS 225 4A	BKR0077E	54
GV2 ME07	BKR0105E	54	LC1 D65AF7	CTR0355E	59	MS 325 4A	BKR0091E	54
GV2 ME08	BKR0103E	54	LC1 D65AP7	CTR0359E	59	MS 225 12.5A	BKR0062E	54
GV2 ME10	BKR0104E	54	LC1 D65P7	CTR0057E	59	MS 225 16A	BKR0063E	54
GV2 ME16	BKR0126E	54	LC1 D8011 F7	CTR0291E	59	MS 225 2.5A	BKR0076E	54
GV2 ME20	BKR0128E	54	LC1 D80P7	CTR0083E	59	MS 225 20A	BKR0064E	54
GV2 ME21	BKR0129E	54	LC1 D9511 F7	CTR0292E	59	MS 225 25A	BKR0065E	54
GV2 ME32	BKR0127E	54	LC1 D9511 M7	CTR0186E	59	MS 225 6.3A	BKR0078E	54
GV3 ME40	BKR0125E	54	LC1 F115	CTR0113E	59	MS 325 1.6A	BKR0089E	54
GV3 A01	CTC0073E	61	LC1 F150	CTR0188E	59	MS 325 12.5	BKR0094E	54
GV3 M63	BKR0044E	54	LC1 F185	CTR0295E	59	MS 325 16A	BKR0095E	54
GV3 ME80	BKR0142E	54	LC1 F225	CTR0296E	59	MS 325 1A	BKR0088E	54
GV3 P50	BKR0141E	54	LC1 F265	CTR0297E	59	MS 325 2.5A	BKR0090E	54
GV3 P65	BKR0140E	54	LC1 F330	CTR0298E	59	MS 325 20A	BKR0096E	54
GVAD 0110	CTC0075E	61	LC1 F500	CTR0221E	59	MS 325 25A	BKR0097E	54
GVAE11	CTC0047E	61	LC1 F630	CTR0222E	59	MS 325 6.3A	BKR0092E	54
H 79A723DBV	COM0447E	21	LC1 K0601 F7	CTR0254E	60	MS 325 9A	BKR0093E	54
HK20	CTC0048E	61	LC1 K0601 P7	CTR0318E	59	MT 100H54	COM0609E	14
HK4 11	CTC0055E	61	LC1 K0610 B7	CTR0322E	59	MT 100H56	COM0600E	14
HKF11	CTC0056E	61	LC1 K0610 F7	CTR0253E	60	MT 125HU4	COM0611E	14
HLH 0611 4LC6	COM0819E	28	LC1 K0901 F7	CTR0243E	60	MT 125HU6	COM0610E	14
HLJ 072T 4LC6	COM0820E	28	LC1 K0901 M7	CTR0244E	60	MT 160HW4	COM0601E	14
HP3	SEN0082E	64	LC1 K0910 B7	CTR0348E	59	MT 160HW6	COM0612E	14
Hydrosan 402T	PMP0065E	150	LC1 K0910 F7	CTR0242E	60	MT 18JA5	COM0740E	14
JRL 203 - 16/1-1	PMP0103E	150	LC1 K0910 M7	CTR0241E	60	MT 22JC5	COM0676E	14
JRL 204 - 13/2.2	PMP0096E	150	LC1 K09107 P7	CTR0326E	59	MT 28JE4	COM0626E	14
JRL 205 - 15/4	PMP0108E	150	LC1 K1210 B7	CTR0349E	59	MT 28JE5	COM0741E	14
JRN 206 - 13/5.5	PMP0110E	150	LC1 K1210 P7	CTR0341E	59	MT 32JF4	COM0596E	14
JRN 208 - 13/5.5	PMP0126E	150	LDK125P7	CTR0058E	24, 59	MT 32JF5	COM0595E	14
KLR-E 7203	THT0177E	71	LDK-114801000	COL0194E	87	MT 32JF6	COM0594E	14
KP1 060509466	CNT0008E	81	LDK-414801000	COL0193E	87	MT 36JF5	COM0742E	14
KP5 060509666	CNT0041E	80	LM 5P 767 3000	THT0058E	69	MT 36JG4	COM0602E	14
KP5 060512966	CNT0009E	80	LM 7P 656 0000	THT0158E	69	MT 36JG6	COM0613E	14
KP7 060515066	CNT0238E	80	LP1 K0610 BD	CTR0323E	59	MT 40JH4	COM0604E	14
KS 30062	KIT0335E	85	LP1 K0910 BD	CTR0327E	59	MT 40JH6	COM0603E	14
KS 30062-1	KIT0993E	85	LR2 D1307	RLY0184E	56	MT 50HK4	COM0606E	14
KS 30063	KIT0336E	85	LR2 D1308	RLY0107E	56	MT 50HK6	COM0605E	14
KS 30065	KIT0337E	85	LR2 D1310	RLY0110E	56	MT 56HL4	COM0688E	14
KS 30065-1	KIT0992E	85	LR2 D1312	RLY0106E	56	MT 64HM4	COM0597E	14
KS 30097	KIT0338E	85	LR2 D1314	RLY0108E	56	MT 64HM6	COM0607E	14
KS 30097-1	KIT0991E	85	LR2 D1316	RLY0114E	56	MT 72HN4	COM0598E	14
LO 5P 562 1000	THT0086E	69	LR2 D1321	RLY0112E	56	MT 73HN4	COM0687E	14
LA DN20	CTC0066E	61	LR2 D1322	RLY0102E	24, 56	MT 80HP4	COM0599E	14
LA1 DN01	CTC0058E	61	LR2 D2353	RLY0109E	24, 56	MT 80HP6	COM0608E	14
LA1 DN04	CTC0029E	61	LR2 D3355	RLY0105E	56	MTZ 100HS4	COM0404E	15
LA1 DN10	CTC0059E	61	LR2 D3357	RLY0101E	56	MTZ 125HU4	COM0405E	15
LA1 DN11	CTC0011E	61	LR2 D3359	RLY0111E	56	MTZ 160HW4	COM0406E	15
LA1 DN22	CTC0014E	61	LR2 D3361	RLY0113E	56	MTZ 28JE6	COM0665E	15
LA1 DN31	CTC0042E	61	LR2 D3363	RLY0142E	56	MTZ 32JF4	COM0667E	15
LA1 F131	CTC0023E	61	LR2 D3365	RLY0226E	56	MTZ 32JF6	COM0666E	15
LA1 F311	CTC0022E	61	LR9 F5367	RLY0156E	56	MTZ 36JG4	COM0668E	15
LA2DT2	TMR0047E	52	LRL 203 - 16/1-1	PMP0093E	150	MTZ 40JH4	COM0669E	15
LA8 DN11	CTC0060E	61	LRL 204 - 13/2.2	PMP0095E	150	MTZ 50HK4	COM0670E	15
LB600120000	COL0175E	87	LRL 205 - 15/4	PMP0107E	150	MTZ 64HM4	COM0671E	15
LB640160000	COL0173E	87	LUA1C11	CTC0074E	61	MTZ 80HP4	COM0672E	15
LC1 D40 B7	CTR0345E	59	LC1 FF110	COL0165E	60	N/W48 DA	COR00020	104
LC1 D4011 F7	CTR0288E	59	LX1 FF220	COL0079E	60	N1 N25	FLR0043E	117
LC1 D40AB7	CTR0360E	59	LX1 FG110	COL0166E	60	N1 N25	FLR0044E	117
LC1 D40AF7	CTR0356E	59	LX1 FG220	COL0080E	60	N1 N25	FLR0045E	117
LC1 D40AP7	CTR0357E	59	LC1 FH110	COL0168E	60	N1 N25	FLR0046E	117
LC1 D40P7	CTR0059E	59	LX1 FH220	COL0094E	60	N1 N25	FLR0047E	117
LC1 F400	CTR0162E	59	LC1 FJ110	COL0183E	60	N1 N25	FLR0151E	117
LC1 D 3210 M7	CTR0171E	59	LX1 FJ220	COL0092E	60	N1 N25	FLR0152E	117
LC1 D0910 B7	CTR0088E	59	LX1 FK110	COL0184E	60	N1 N25	FLR0153E	117
LC1 D0910 F7	CTR0283E	59	LX1 FK220	COL0091E	60	N1 N25	FLR0182E	117
LC1 D09P7	CTR0166E	59	LC1 FL110	COL0185E	60	N1 N25	FLR0196E	117
LC1 D115 F7	CTR0343E	59	LX1 FL220	COL0181E	60	N31E	CTR0312E	61
LC1 D1210 B7	CTR0085E	59	M100BG	MOT0369E	139	NE 41 VNHMT	COM0675E	29
LC1 D1210 F7	CTR0284E	59	M100BOL	MOT0973E	139	NH 41 VNDD	COM06159	29
LC1 D1210 M7	CTR0061E	59	M4450	MOT0763E	139	ODM1	TMR0026E	52
LC1 D150 F7	CTR0344E	59	M6410	MOT0370E	139	ORBI 653750	FUS0165E	51
LC1 D1801 F7	CTR0285E	59	M7410C	MOT0368E	139	ORBI 654810	FUS0167E	51
LC1 D1810 B7	CTR0086E	59	M8450A	MOT0916E	139	OT125 ET3	SWT0233E	49
LC1 D1810 M7	CTR0062E	59	MI 30 1/2S	GLS0050E	96	OT32 ET3	SWT0222E	49
LC1 D2510 B7	CTR0087E	59	MI 30 3/8 S	GLS0049E	96	OT63 ET3	SWT0231E	49
LC1 D2510 F7	CTR0286E	59	MI 30 7/8 S	GLS0052E	96	OT80 ET3	SWT0232E	49
LC1 D32 B7	CTR0328E	59	MI 31	GLS0053E	96	P 100 AA 51 D	CNT0126E	81
LC1 D3210 F7	CTR0287E	59	MI 3B	GLS0018E	96	P 100 CA 13 D	CNT0127E	81
LC1 D38 P7	CTR0320E	59	MP1	MDA0016E	64	P 100 CA 52 D	CNT0102E	81
LC1 D50 B7	CTR0346E	59	MP1/MP2	SEN0081E	64	P 100 DA 50D	CNT0140E	81

Manufacturer nbr	Part number	Page	Manufacturer nbr	Part number	Page	Manufacturer nbr	Part number	Page
P 20 EA 9670XC	CNT0274E	81	SM 18554RC	COM0771E	22	SPZ-2G	SHE0407E	144
P100 AP 63D	CNT0153E	82	SM 18556RC	COM0766E	22	SPZ-2G	SHE0408E	144
P74 EA 9300	CNT0033E	83	SPA-1G	SHE0338E	144	SPZ-2G	SHE0409E	144
PDM10	TMR0029E	52	SPA-1G	SHE0339E	144	SPZ-2G	SHE0410E	144
PDM20	TMR0030E	52	SPA-1G	SHE0340E	144	SPZ-2G	SHE0411E	144
PE 31 VNEMT	COM0674E	29	SPA-1G	SHE0341E	144	SPZ-2G	SHE0412E	144
PG50	FLR0103E	117	SPA-1G	SHE0342E	144	SPZ-3G	SHE0322E	145
PG50	FLR0104E	117	SPA-1G	SHE0343E	144	SPZ-3G	SHE0323E	145
PG50	FLR0105E	117	SPA-1G	SHE0344E	144	SPZ-3G	SHE0324E	145
PH 31 VNEMT	COM0562E	29	SPA-1G	SHE0345E	144	SPZ-3G	SHE0325E	145
PH 36 VPET	COM0563E	29	SPA-1G	SHE0346E	144	SPZ-3G	SHE0326E	145
PS3-CF5- HNB	CNT0146E	81	SPA-1G	SHE0347E	144	SPZ-3G	SHE0327E	145
PS3-CF5-HNB	CNT0147E	81	SPA-1G	SHE0348E	144	SPZ-3G	SHE0413E	145
PS3-TF5-HNB	CNT0148E	81	SPA-1G	SHE0349E	144	SPZ-3G	SHE0414E	145
PSG55	GLS0013E	96	SPA-1G	SHE0350E	144	SPZ-3G	SHE0415E	145
Q637AITEM L	SWT0212E	70, 141	SPA-2G	SHE0295E	144	SPZ-3G	SHE0416E	145
R4G30	COM0002Z	30	SPA-2G	SHE0309E	144	SPZ-3G	SHE0417E	145
R4G30	COM0005Z	30	SPA-2G	SHE0310E	144	SPZ-3G	SHE0418E	145
R4G30	COM0009Z	30	SPA-2G	SHE0311E	144	SPZ-3G	SHE0419E	145
R4G30	COM0016Z	30	SPA-2G	SHE0312E	144	SPZ-3G	SHE0420E	145
R4G30	COM0017Z	30	SPA-2G	SHE0313E	144	SPZ-4G	SHE0328E	145
R4G30	COM0018Z	30	SPA-2G	SHE0314E	144	SPZ-4G	SHE0329E	145
R4H25	COM0003Z	30	SPA-2G	SHE0315E	144	SPZ-4G	SHE0330E	145
R4H25	COM0010Z	30	SPA-2G	SHE0337E	144	SPZ-4G	SHE0331E	145
R4H25	COM0012Z	30	SPA-2G	SHE0351E	144	SPZ-4G	SHE0332E	145
R4H25	COM0013Z	30	SPA-2G	SHE0352E	144	SPZ-4G	SHE0333E	145
R4H25	COM0014Z	30	SPA-2G	SHE0353E	144	SPZ-4G	SHE0334E	145
R4H25	COM0015Z	30	SPA-2G	SHE0354E	144	SPZ-4G	SHE0421E	145
R4N20.2	COM0028Z	30	SPA-2G	SHE0355E	144	SRR 41	MFL0015E	77
R6G40	COM0027Z	30	SPA-3G	SHE0429E	145	SRR 54	MFL0016E	77
R6H35	COM0001Z	30	SPA-4G	SHE0356E	145	SSB81	MOT0982E	138
R6H35	COM0008Z	30	SPA-4G	SHE0357E	145	SSE 068A4BPZ	COM08244	28
R6H35	COM0011Z	30	SPA-4G	SHE0358E	145	SSR 061A4BPZ	COM07160	28
R6H35	COM0019Z	30	SPA-4G	SHE0359E	145	SSR 081A4BPZ	COM07172	28
R6H35	COM0020Z	30	SPA-4G	SHE0360E	145	STA719	MOT0979E	138
R6H35	COM0021Z	30	SPA-4G	SHE0361E	145	STE2	TMR0039E	52
RAYMT4U	TOL01026	73	SPB-2G	SHE0362E	144	STE22	MOT0681E	138
RDP-3	MNT00620	153	SPB-2G	SHE0363E	144	STE72	BON0005E	138
RDP-3	MNT00621	153	SPB-2G	SHE0364E	144	STF01AB503B1	COL0395E	88
RDP-4	MNT00622	153	SPB-2G	SHE0365E	144	STF01AJ504F1	COL0393E	88
RDP-4	MNT00645	153	SPB-2G	SHE0366E	144	STF0715G	VAL0830E	87
RDP-4	MNT00646	153	SPB-2G	SHE0367E	144	SZ 09054VC	COM0705E	22
RDP-4	MNT00647	153	SPB-2G	SHE0368E	144	SZ 10054VC	COM0616E	22
RE 207 VHSMT	COM0673E	29	SPB-2G	SHE0369E	144	SZ 12054VC	COM0618E	22
RE8RA21FUTQ	TMR0040E	52	SPB-2G	SHE0370E	144	SZ 12554RC	COM0769E	22
RH 135 VHAT	COM0449E	29	SPB-2G	SHE0371E	144	SZ 161T4VC	COM0620E	22
RH 165 VHAT	COM0448E	29	SPB-2G	SHE0372E	144	SZ 17554RC	COM0774E	22
RH 207 VHAT	COM06364	29	SPB-2G	SHE0373E	144	SZ 18554RC	COM0803E	22
RH 48	COR00049	104	SPB-2G	SHE0374E	144	SZ 18556RC	COM0768E	22
RJ9/RJ9	CAB00028	71	SPB-3G	SHE0375E	145	SZ 300A4AAM	COM0775E	22
RJ9/RJ9	CAB00029	71	SPB-3G	SHE0376E	145	SZ 3807A77M	COM0776E	22
RT 14175103	THT0035E	68	SPB-3G	SHE0377E	145	T 135 DU 135	RLY0237E	57
RTO-500-240-F	TOL01145	155	SPB-3G	SHE0378E	145	T 200 DU 135	RLY0238E	57
RV 3F45	VAL0489E	86	SPB-3G	SHE0379E	145	T 200 DU 150	RLY0239E	57
S155.057	THT0130E	71	SPB-3G	SHE0380E	145	T200	FLR0138E	119, 133
S155.058	THT0131E	71	SPB-3G	SHE0381E	145	T200	FLR0139E	119, 133
S250 S2H20	CTC0036E	61	SPB-3G	SHE0382E	145	T200	FLR0140E	119, 133
S252	BKR0023E	55	SPB-3G	SHE0383E	145	T200	FLR0141E	119, 133
S252	BKR0025E	55	SPB-3G	SHE0384E	145	T200	FLR0142E	119, 133
S252	BKR0027E	55	SPZ-1G	SHE0385E	144	T200	FLR0143E	119, 133
S252	BKR0029E	55	SPZ-1G	SHE0386E	144	T200	FLR0144E	119, 133
S252	BKR0046E	55	SPZ-1G	SHE0387E	144	T200	FLR0145E	119, 133
S252	BKR0056E	55	SPZ-1G	SHE0388E	144	T200	FLR0146E	119, 133
S252	BKR0057E	55	SPZ-1G	SHE0389E	144	T200	FLR0147E	119, 133
S252	BKR0059E	55	SPZ-1G	SHE0390E	144	T200	FLR0191E	121
S252	BKR0060E	55	SPZ-1G	SHE0391E	144	T200	FLR0192E	121
S252	BKR0072E	55	SPZ-1G	SHE0392E	144	T200	FLR0193E	121
S252	BKR0101E	55	SPZ-1G	SHE0393E	144	T200	FLR0194E	121
S27 A3	THT0095E	69	SPZ-1G	SHE0394E	144	T200	FLR0195E	121
S48	COR0008E	105	SPZ-1G	SHE0395E	144	T200	FLR0239E	120
SC 10 DX	COM0408E	17	SPZ-1G	SHE0396E	144	T200	FLR0240E	120
SC 15/15D	COM0410E	17	SPZ-1G	SHE0397E	144	T200	FLR0241E	120
SC 15DX	COM0409E	17	SPZ-1G	SHE0398E	144	T200	FLR0243E	120
SCY 110	MFL0007E	77	SPZ-1G	SHE0399E	144	T200	FLR0244E	120
SCY 130	MFL0004E	77	SPZ-1G	SHE0400E	144	T200	FLR0245E	120
SCY 50	MFL0013E	77	SPZ-2G	SHE0316E	144	T200	FLR0246E	120
SCY 90	MFL0006E	77	SPZ-2G	SHE0317E	144	T200	FLR0277E	120
SHC20 - 134	PMP0134E	150	SPZ-2G	SHE0318E	144	T200	FLR0278E	120
SI 3 1*1/8	GLS0003E	96	SPZ-2G	SHE0319E	144	T6371B1041	THT0123E	70
SI 3 7/8	GLS0001E	96	SPZ-2G	SHE0320E	144	T6375B1088	THT0124E	70
SM 10054VC	COM0662E	22	SPZ-2G	SHE0321E	144	T6375C1086	THT0126E	70
SM 11554RC	COM0689E	22	SPZ-2G	SHE0401E	144	T6377B1094	THT0127E	70
SM 12054VC	COM0663E	22	SPZ-2G	SHE0402E	144	TA 110 DU 110	RLY0307E	57
SM 12554RC	COM0767E	22	SPZ-2G	SHE0403E	144	TA 110 DU 90	RLY0306E	57
SM 160T4RC	COM0788E	22	SPZ-2G	SHE0404E	144	TA 25 DU 11	RLY0294E	57
SM 161T4VC	COM0664E	22	SPZ-2G	SHE0405E	144	TA 25 DU 14	RLY0295E	57
SM 17554RC	COM0772E	22	SPZ-2G	SHE0406E	144	TA 25 DU 19	RLY0296E	57

Manufacturer nbr	Part number	Page	Manufacturer nbr	Part number	Page	Manufacturer nbr	Part number	Page
TA 25 DU 2.4	RLY0336E	57	TGEN 17	VAL0924E	91	VMP45-10-16	VAL0545E	138
TA 25 DU 25	RLY0297E	24, 57	TGEN 20	VAL0925E	91	VMP45-15-25	VAL0546E	138
TA 25 DU 32	RLY0298E	57	TGEN 25	VAL0926E	91	V5325	COR0004E	104
TA 25 DU 4	RLY0338E	57	TGEN 4.5	VAL0919E	91	WAH4175	DHY0034E	103
TA 25 DU 5	RLY0292E	57	TGEN 7	VAL0920E	91	WAH7595	DHY0033E	103
TA 25 DU 6.5	RLY0212E	57	TGEN 8	VAL0921E	91	X13540555001	SEN0004E	62
TA 25 DU 8.5	RLY0293E	57	TGEN 11	VAL0946E	91	X13540555002	SEN0006E	62
TA 75 DU 32	RLY0299E	24, 57	TGEX 12	VAL0947E	91	X13540555003	SEN0010E	62
TA 75 DU 42	RLY0300E	57	TGEX 15	VAL0948E	91	X13540573001	SEN0011E	65
TA 75 DU 52	RLY0301E	57	TGEX 18	VAL0949E	91	X13540573002	SEN0051E	65
TA 75 DU 63	RLY0302E	57	TGEX 26	VAL0950E	91	X13540573003	SEN0086E	65
TA 75 DU 80	RLY0303E	57	TGEX 30	VAL0951E	91	X13540573004	SEN0102E	65
TA 80 DU 80	RLY0304E	57	TGEX 38	VAL0952E	91	X13540573005	SEN0103E	63, 65
TA25 DU 3.1	RLY0337E	57	TGEX 7.5	VAL0945E	91	X13540575001	SEN0012E	62
TAG 5561E	COM0141E	18	THC02	SEN0044E	70	X13540857001	SEN0037E	63
TAG 5568E	COM0349E	18	THC02	THT0152E	70	X13560351001	TRR0080E	62
TAH 5542E	COM0412E	18	THP01	THT0149E	70	X13650364040	MOD01422	66, 76
TCLÉ- 97614	BOD0008E	95	THP02	THT0150E	70	X13650475008	MOD01423	66
TCLÉ X2240 B8B	CAG0015E	93	THRE X9144 B11B	CAG0008E	93	X13650476100	MOD01424	66
TCLÉ X22440 B2B	CAG0016E	93	THRE X9144 B13B	CAG0009E	93	X13650477130	MOD01425	66
TCLÉ X22440 B3B	CAG0010E	93	THRE-9148	BOD0013E	95	X13650726010	SEN01959	66
TCLÉ X22440 B4B	CAG0011E	93	THRE-9149	BOD0006E	95	X13650781002	MOD00942	66
TCLÉ X22440 B5B	CAG0012E	93	THS / THP 01-02	BOX0012E	70	X13650804050	MOD0116E	66
TCLÉ X22440 B6B	CAG0013E	93	THS01	THT0143E	70	X13650827006	MOD01490	66
TCLÉ X22440 B7B	CAG0014E	93	THS02	THT0144E	70	X13651007001	MOD01394	66, 76
TCLÉ-97613	BOD0007E	95	TIRE X9166 B10B	CAG0007E	93	X13651077001	MOD01540	66
TCLÉ-A576	BOD0003E	95	TJRE- 10332	BOD0011E	95	X13690169001	CNT0165E	65
TCLÉ-C5015	BOD0002E	95	TJRE X11873 B4B	CAG0001E	93	X13710079001	RCM0003E	62
TCLÉ-C5017	BOD0001E	95	TJRE X11873 B5B	CAG0002E	93	X13710081002	RCM0002E	62
TCLÉ-TJRE XB 1019 MW 000 1B	PWR0007E	94	TJRE XB 1019 HW 000 1B	PWR0001E	94	X13710085001	SCM0002E	63
TCLÉ-TJRE XB 1019 MW 035 1B	PWR0008E	94	TJRE XB 1019 HW 065 1B	PWR0002E	94	X13710095001	XCM0002E	62
TCLÉ-TJRE XB 1019 MW 055 1B	PWR0009E	94	TJRE XB 1019 HW 100 1B	PWR0003E	94	X13740078001	RCM0001E	62
TCLÉ-TJRE XB 1019 NW 000 1B	PWR0026E	94	TJRE-10331	BOD0004E	95	X13740080001	RCM0004E	62
TCLÉ-TJRE XB 1019 NW 000 1B	PWR0027E	94	TP180IA	TMR0025E	53	X13740081002	MOD0018E	62
TCLÉ-TJRE XB 1019 NW 100 1B	PWR0022E	94	TRE	VAL0839E	91	X13740084001	SCM0001E	63
TCLÉ-TJRE XB 1019 SW 040 1B	PWR0015E	94	TRE	VAL0840E	91	X13740094001	XCM0001E	62
TCLÉ-TJRE XB 1019 SW 000 1B	PWR0016E	94	TX6 H02	VAL0430E	92	X13740096001	RCM0006E	62
TCLÉ-X634617	BOD0010E	95	TX6 H03	VAL0431E	92	X13740113001	MOD0001E	62
TERE X9117 B6B	CAG0003E	93	TX6 H04	VAL0432E	92	X13740120001	MOD0013E	64
TERE X9117 B7B	CAG0004E	93	TX6 H05	VAL0434E	92	X13740162001	MOD0054E	63
TERE X9117 B8B	CAG0005E	93	TX6 H14	VAL0433E	92	X13740163001	MOD0055E	63
TERE X9117 B9B	CAG0006E	93	TX6 H15	VAL0435E	92	X13740184001	TDR0009E	63
TERE/TIRE-9153	BOD0005E	95	TX6 H16	VAL0436E	92	X13740190002	TDR0014E	63, 65, 72
TERE-9152	BOD0012E	95	TX6 H17	VAL0437E	92	X13740213001	BRD0117E	65
TERE-TIRE XC 726 HW 000 2B	PWR0004E	94	TX6 M03	VAL0429E	92	X17010301001	ADP0063E	63, 65
TERE-TIRE XC 726 HW 065 2B	PWR0005E	94	TX6 M15	VAL0427E	92	X19140385001	CNO1166	66, 156
TERE-TIRE XC 726 HW 100 2B	PWR0006E	94	TX6 M16	VAL0438E	92	X27201278011	TOL0156E	65
TERE-TIRE XC 726 MW 000 2B	PWR0010E	94	TX6 M17	VAL0439E	92	ZB 19 KCE PFJ 551	COM0818E	28
TERE-TIRE XC 726 MW 035 2B	PWR0011E	94	TX6 N07	VAL0539E	92	ZB 30 KCE PFJ 551	COM0815E	28
TERE-TIRE XC 726 MW 055 2B	PWR0012E	94	TZ501-BAYSENS077AA	SEN01448	70, 71	ZB 45 KCE TFD 551	COM0817E	28
TERE-TIRE XC 726 SW 000 2B	PWR0017E	94	V10-414120200	VAL0718E	86	ZP 23 K3E	COM0621E	27
TERE-TIRE XC 726 SW 080 2B	PWR0018E	94	V120TH-30	EVP0588E	100	ZP 26 K3E	COM0622E	27
TERE-TIRE XC 726 SW 040 2B	PWR0023E	94	V120TH-40	EVP0589E	100	ZR 11 M 3 E	COM0653E	26
TERE-TIRE-THRE XC 726 NW 000 2B	PWR0021E	94	V120TH-46	EVP0603E	100	ZR 11 M 3 E	COM0702E	26
TERE-TIRE-THRE XC 726 NW 100 2B	PWR0028E	94	V120TH-50	EVP0590E	100	ZR 12 M 3 E	COM0654E	26
TERE-TIRE-THRE XC 726 HW 065 4B	PWR0024E	94	V120TH-58	EVP0604E	100	ZR 12 M 3 E	COM0703E	26
TERE-TIRE-THRE XC 726 HW 100 4B	PWR0025E	94	V120TH-60	EVP0591E	100	ZR 16 M 3 E	COM0655E	26
TESTOIL-MP	KIT1345E	109	V120TH-60	EXC0020E	100	ZR 19 M 3E	COM0758E	26
TGEL 13	VAL0929E	91	V120TH-70	EVP0605E	100	ZR 22 K 3 E	COM0642E	26
TGEL 15	VAL0930E	91	V120TH-70	EVP0635E	100	ZR 250 K CE	COM0706E	26
TGEL 19	VAL0931E	91	V120TH-90	EVP0636E	100	ZR 28 K 3 E	COM0643E	26
TGEL 23	VAL0932E	91	V120TH-90	EVP0640E	100	ZR 310 K CE	COM0707E	26
TGEL 31	VAL0933E	91	V200-38	EXC0021E	100	ZR 34 K 3	COM0659E	26
TGEL 35	VAL0934E	91	V200-46	EVP0646E	100	ZR 34 K 3 E	COM0644E	26
TGEL 46	VAL0935E	91	V200-54	EVP0647E	100	ZR 380 K CE	COM0759E	26
TGEL 6.5	VAL0927E	91	V200-72	EVP0648E	100	ZR 40 K 3 E	COM0645E	26
TGEL 9	VAL0928E	91	V200-T	EVP0649E	100	ZR 40 K 3 E	COM0648E	26
TGEN 10	VAL0922E	91	V200-T	EVP0650E	100	ZR 49 K 3 E	COM0646E	26
TGEN 12	VAL0923E	91	V25T-50	EVP0651E	100	ZR 49 K 3 E	COM0649E	26
			V25T-60	EVP0652E	100	ZR 61 K C E	COM0650E	26
			V5833C1017T	EXC0012E	100	ZR 72 K C E	COM0651E	26
			V5833C1025T	EXC0013E	100	ZR 90 K 3 E	COM0652E	26
			V5833C1041T	VAL0397E	139	ZSM10	THT0192E	71
			V5833C4003	VAL0398E	139	ZSM11-1	THT0194E	71
			V80H-50	VAL0400E	139			
			V9071	VAL0738E	139			
			VCYLS 11	EXC0015E	100			
			VH1J0112	VAL0781E	139			
			VHV3003	GLS0029E	96			
			VHV4001	VAL0298E	86			
			VHV5001	VAL0841E	87			
			VHV6001	VAL0833E	87			
			VMP 469.10-1	VAL0826E	87			
			VMP 469.10-1.6	VAL0825E	87			
			VMP 469.15-2.5	VAL0785E	138			
			VMP45-10-1	VAL0786E	138			
				VAL0787E	138			
				VAL0467E	138			

Notes



Notes

Conversion Tables

CONVERSION OF POWER UNITS

	Watt	kcal/s	kgm/s	Btu/h	ch	hp	kW
1 Watt	= 1	0.00024	0.10197	3.41	0.00136	0.00134	0.001
1 kcal/s	= 4,186.8	1	426.93	14,271	5.6924	5.6145	4.1868
1 kgm/s	= 9.806	0.00234	1	33.438	0.01333	0.01328	0.009806
1 Btu/h	= 0.29327	0.00007	0.02989	1	0.0004	0.00039	0.00029
1 ch	= 736	0.17555	75	2,510	1	0.986	0.7355
1 hp	= 745.7	0.17811	76	2,542.12	1.01342	1	0.7457
1 Kw	= 1,000	0.23885	101.972	3,409.8	1.3596	1.341	1

CONVERSION OF UNITS OF ENERGY

	Joule	kcal	Btu	kgm	ch.h	hp.p	kWh
1 Joule	= 1	0.00023885	0.00094715	0.101971	0.000000378	0.000000372	0.000000278
1 kcal	= 4,186.8	1	3.964	426.8	0.001581	0.001556	0.001162
1 Btu	= 1,054.4	0.252	1	107.6	0.0003987	0.0003926	0.0002928
1 kgm	= 9.80665	0.002343	0.0092	1	0.000003703	0.00000365	0.000002724
1 ch.h	= 2,647,800	632.61	2,511	270,000	1	0.98632	0.736
1 hp.p	= 2,685,000	642.5	2,545	273,745	1.01387	1	0.74565
1 kWh	= 3,600,000	860.11	3,411	367,097	1.359622	1.34111	1

CONVERSION OF PRESSURE UNITS

	atm	kg/cm2	bar	PSI	Pascal	mm H2O	mm Hg
1 atm	= 1	1.033	1.0133	14.69	101,325	10,330	760
1 kg/cm ²	= 0.9678	1	0.981	14.223	98,066	10,000	735.56
1 bar	= 0.986	1.019	1	14.5	100,000	10,200	750.06
1 PSI	= 0.006804	0.07031	0.069	1	6,895	703.1	51.715
1 Pascal	= 0.00000987	0.0000102	0.00001	0.000145	1	0.1019	0.0075
1 mm H2O	= 0.0000968	0.0001	0.0000981	0.00142	9.808	1	0.0735
1 mm Hg	= 0.0013159	0.0013159	0.001333	0.0193367	133.322	13.595	1

SPECIFIC ENTHALPY

	kJ/kg	kcal/kg	BTU/lb
1 kJ/kg	= 1	0.2388	0.43
1 kcal/kg	= 4.187	1	1.8
1 BTU/lb	= 2.326	0.5556	1

CONVERSION OF UNITS OF SURFACE AREA

1 cm ²	= 0.155 Sq.in	1 Sq.in	= 6.45 cm ²
1 m ²	= 10.764 Sq.ft	1 Sq.ft	= 929 cm ²
1 m ²	= 1.196 Sq.yd	1 Sq.yd	= 0.836 m ²

CONVERSION OF UNITS OF VOLUME

1 cu.in	= 16.387 cm ³	1 cm ³	= 0.061 cu.in
1 cu.ft	= 0.0283 m ³	1 dm ³	= 0.03531 cu.ft
1 cu.yd	= 0.7646 m ³	1 m ³	= 1.308 cu.yd

COPPER PIPES

inches	Ext. diameter		Thickness
	mm	mm	
1/4	6.35	1	
3/8	9.52	1	
1/2	12.70	1	
5/8	15.07	1	
3/4	19.05	1	
7/8	22.22	1	
1	25.40	1	
1"1/8	28.57	1	
1"3/8	34.92	1.24	
1"5/8	41.27	1.24	
2"1/8	53.97	1.65	
2"5/8	66.67	2.1	

DENSITY AND VOLUME MASS

1 m ³ /kg	= 16.01 cu.ft/lb	1 cu.ft/lb	= 0.06424 m ³ /kg
1 kg/m ³	= 0.06424 cu.ft/lb	1 cu.ft/lb	= 16.01 m ³ /kg

CONVERSION OF UNITS OF MEASUREMENT

1 m	= 1.094 yd	1 in	= 24.5 mm
1 m	= 3.281 ft	1 ft	= 0.3048 m
1 mm	= 0.03937 in	1 yd	= 0.9144 m
1 ft = 12 in		1 yd = 3 ft	

THERMAL CONDUCTIVITY

	W/m.K	kcal/m.h.°C	BTU/ft.h.° F
1 W/m.K	= 1	0.86	0.5779
1 kcal/m.h.°C	= 1.1626	1	0.672
1 BTU/ft.h.° F	= 1.73	1.488	1

$$T(^{\circ}\text{C}) = 5/9 \times (T(^{\circ}\text{F}) - 32)$$

Rejected power = Cold power + comp. power absorbed
COP = Cold power / Pabs

Power calculation [kW : kJ/s]

$$P = Q_m \times C(\text{water}) \times DT \text{ or } P_{\text{sensitive}} = Q_v \times C(\text{air}) \times DT$$

Qm: mass flow kg/s

Qv: volume flow m³/s

C: heat by unit of weight of the water 4.18 kJ/kg x °C

specific heat of the air 0.34 kJ/m³ x °C

DT: temperature difference °C

CONTACT US

With 130 locations in EMEIA (Europe, Middle East, India and Africa Region), Trane has one of the most extended sales and services network staffed by a team of the industry's most experienced sales engineering resources, controls and service engineers and technicians. All are networked to provide uniform local support capabilities such as engineering expertise, application assistance, services, parts and on-site maintenance, repair and operation of your HVAC systems.

They have the knowledge and resources to assist system designers, consulting engineers, contractors and building owners in creating and maintaining safe, comfortable and efficient indoor environments for new and existing buildings and industrial processes.

Contact Trane today. Don't lose time.

U.K. Parts quotes & Order processing

Phone : 01675 444024

Fax : 01675 444018

E-mail : tcsukparts@trane.com

<http://doc.trane-eur.com/partscat.nsf>

Trane UK Hampton
55 Marsh Lane
Hampton in Arden
SOLIHULL, Birmingham B92 0AJ
www.trane.com

U.K. Parts quotes & Account management

Contact: Abi Mason – Business development

Phone: 07801 633035

E-mail: abi_mason@trane.com



Trane UK Head Office
Harrow House
Bessemer Road
BASINGSTOKE, Hampshire,
RG21 3NB
Tel: +44 (0) 8457 165 162
Fax: +44 (0) 1256 306001

Trane UK Warrington
Thomson House
Birchwood Park
WARRINGTON, WA3 6GA
Tel: +44 (0) 8457 165 162
Fax: +44 (0) 1925 623675

Trane (UK) LTD
F7 Centre Point Business Park
Oak Road
DUBLIN 12
IRELAND
Tel: +353 (1) 8457 165 162

Trane UK Hampton
55 Marsh Lane Hampton
in Arden SOLIHULL,
Birmingham B92 0AJ
Tel: +44 (0) 8457 165 162
Fax: +44 (0) 1675 444031

Trane UK Scotland
1/3 Napier Way
Wardpark North
Cumbernauld
GLASGOW ,G68 0EH
Tel: +44 (0) 8457 165 162
Fax: +44 (0) 1236 785518



Ingersoll Rand (NYSE:IR) is a world leader in creating and sustaining safe, comfortable and efficient environments in commercial, residential and industrial markets. Our people and our family of brands—including Club Car®, Ingersoll Rand®, Schlage®, Thermo King® and Trane®—work together to enhance the quality and comfort of air in homes and buildings, transport and protect food and perishables, secure homes and commercial properties, and increase industrial productivity and efficiency. We are a \$14 billion global business committed to sustainable business practices within our company and for our customers.

Trane has a policy of continuous product and product data improvement and reserves the right to change design and specifications without notice.
Trane bvba, Lenneke Marelaan 6, 1932 Sint-Stevens-Woluwe, Belgium, ON 0888.048.262 - RPR Brussels